



Revision: 01-10-19

Versus-omega preserves the right to alter parts and drawings at all times. Check online for the most recent updated versions.



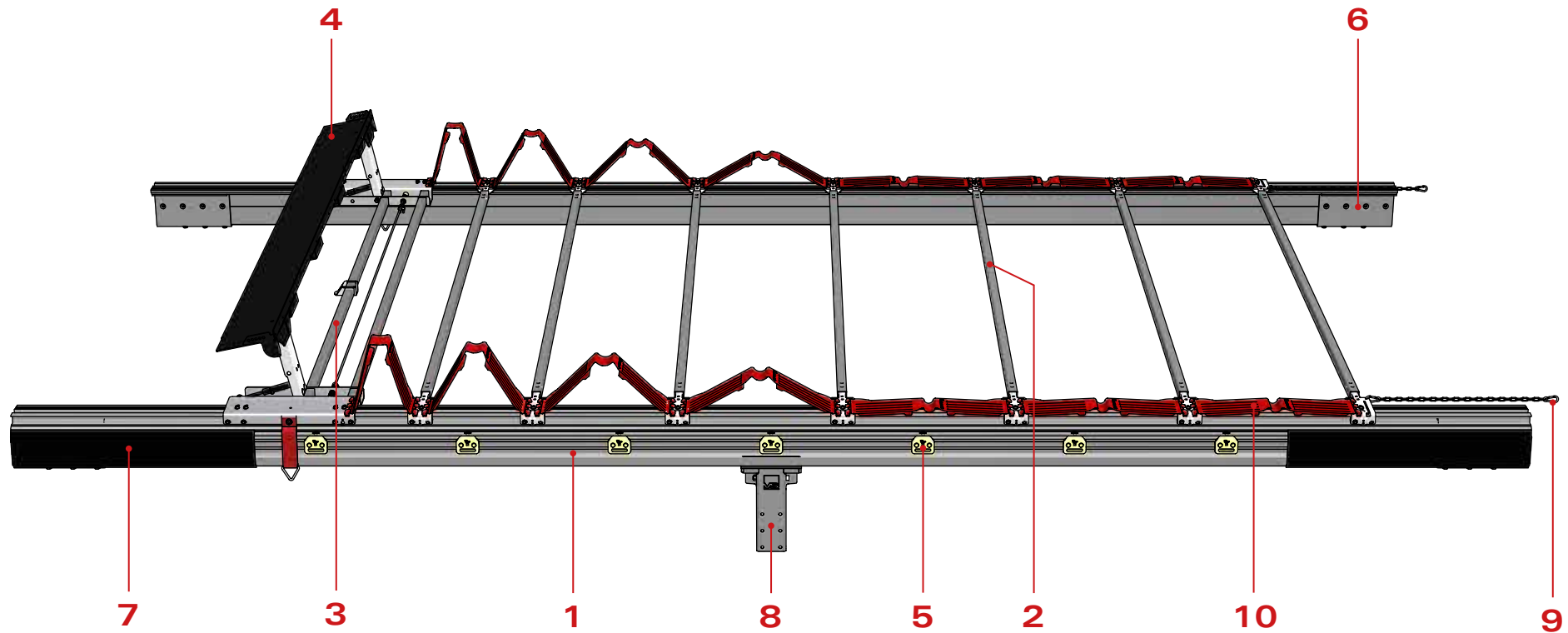


| Type of rail         | Page |
|----------------------|------|
| Alto Trike           | 5    |
| Alto Trike Light     | 13   |
| Duo Trike            | 21   |
| Duo Trike Light      | 29   |
| Kubus Trike          | 37   |
| Kubus Trike Light    | 45   |
| Micro Trike          | 53   |
| Alto Penta           | 61   |
| Duo Penta            | 69   |
| Plano                | 77   |
| Pico                 | 85   |
| Ferro                | 91   |
| Euro                 | 99   |
| Solo Trike           | 107  |
| Solo Penta           | 115  |
| Options & Variations | 123  |







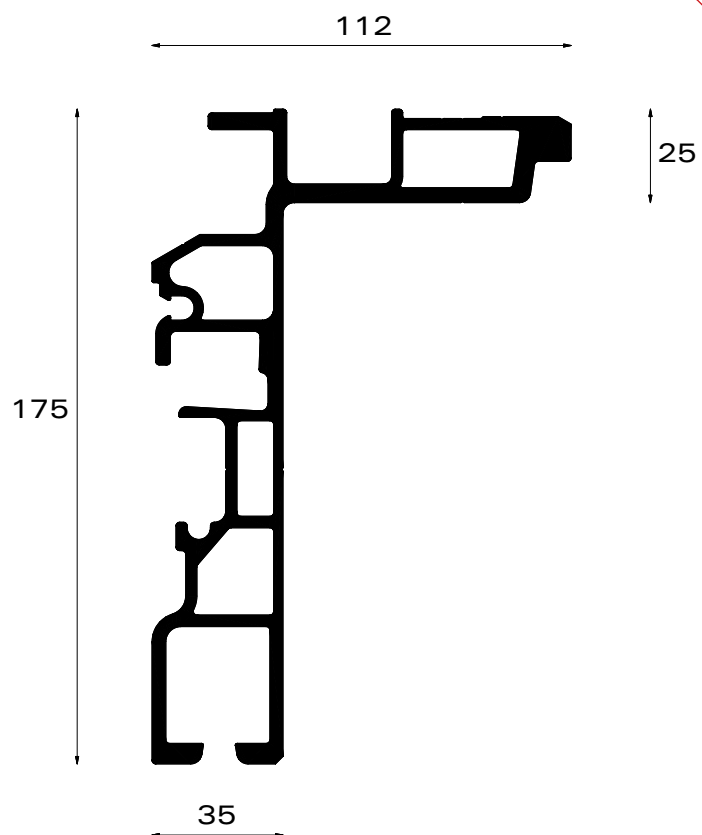


|          |                      |            |                 |
|----------|----------------------|------------|-----------------|
| <b>1</b> | Alto Trike rail      | <b>7</b>   | PVC pelmet      |
| <b>2</b> | Roof stick           | <b>8</b>   | Pillar bracket  |
| <b>3</b> | Collapsible backside | <b>9</b>   | Set accessories |
| <b>4</b> | Back beam            | <b>10</b>  | Folding plate   |
| <b>5</b> | Trike roller         | <b>11*</b> | Carapax plate   |
| <b>6</b> | Set mounting plates  | <b>12*</b> | Pull bar        |

\* Not visible on the composition drawing above



### 1 Alto Trike rail



#### PART NR.

|             |           |
|-------------|-----------|
| * L = 10,2m | 162-36102 |
| * L = 13,6m | 162-36136 |

\*profile with pre-bending

$I_x : 711\text{cm}^4$   
 $I_y : 213\text{cm}^4$   
 $\pm 6,1 \text{ kg/m}$

### 2a Roof stick for sliding roof



#### PART NR.

|                        |           |
|------------------------|-----------|
| SB=2550 - Type SP      | 224-01001 |
| SB=2550 - Type AS (Al) | 224-03001 |

### 2b Roof stick with anti-fly hook for sliding roof



#### PART NR.

|                        |           |
|------------------------|-----------|
| SB=2550 - Type SP      | 224-91001 |
| SB=2550 - Type AS (Al) | 224-93001 |

### 2c Roof stick for fixed roof with tarpaulin cover



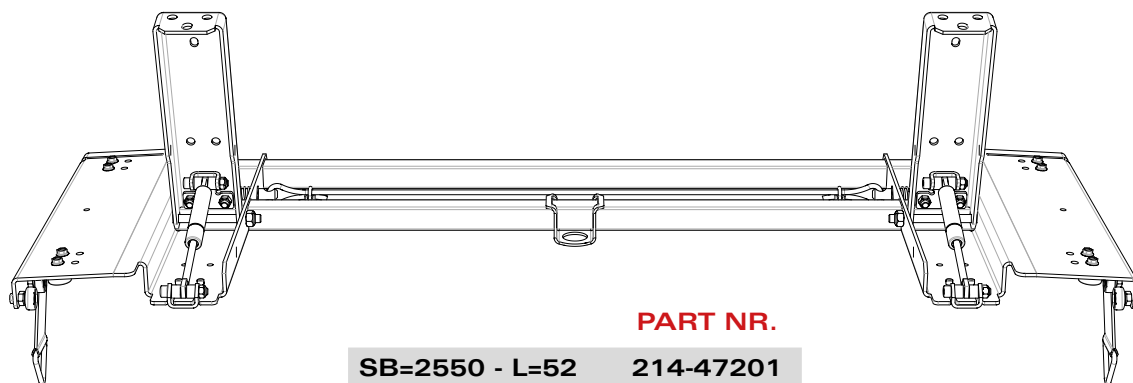
#### PART NR.



|                        |           |
|------------------------|-----------|
| SB=2550 - Type SP      | 224-41201 |
| SB=2550 - Type AS (Al) | 224-43201 |

\* Roof stick riveted to rail with monobolts

**3a Collapsible backside**



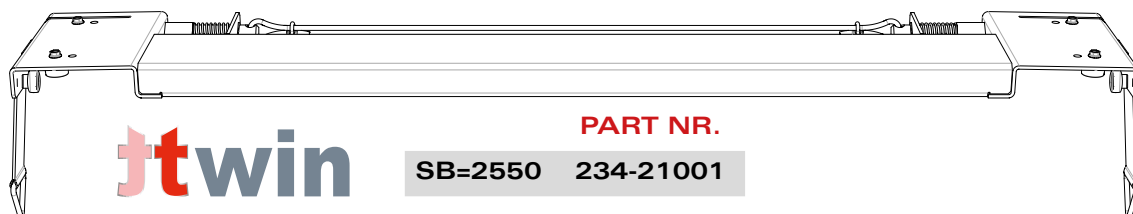
**PART NR.**  
SB=2550 - L=52    214-47201

**3b Collapsible backside for fixed roof with tarpaulin cover**



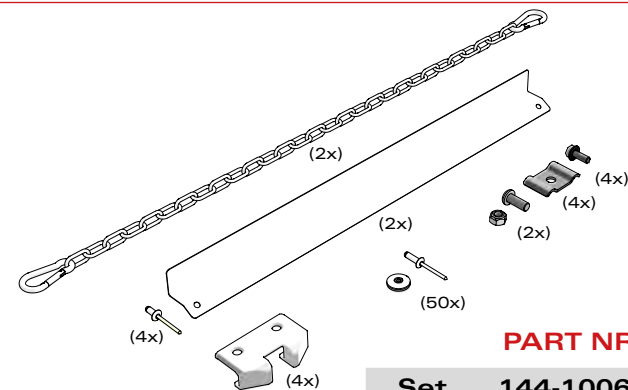
**fix** **PART NR.**  
SB=2550 - L=100    324-47001

**Front header**



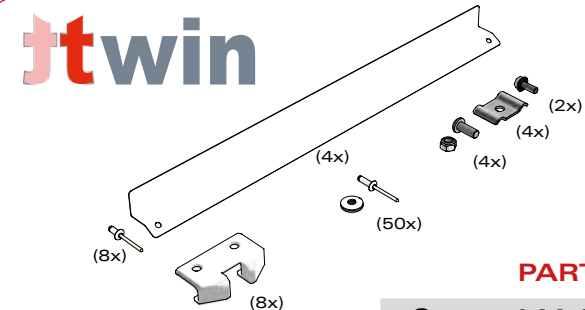
**jtwinn** **PART NR.**  
SB=2550    234-21001

**9a Set accessories**



**PART NR.**  
Set    144-10067

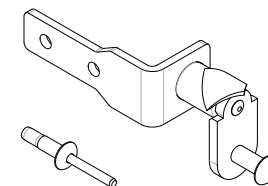
**9b Set accessories Twin**



**PART NR.**  
Set    144-10082

\* Alto Trike Twin sliding roof: this set replaces the basic accessories set (144-10067)!

**9c Set lock collapsible backside**



**PART NR.**  
Set    144-10086

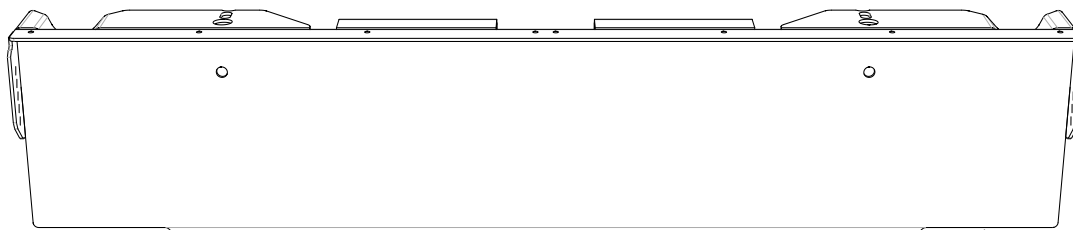
**9d Set accessories external unlocking**



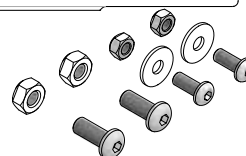
**PART NR.**  
Set    144-10174



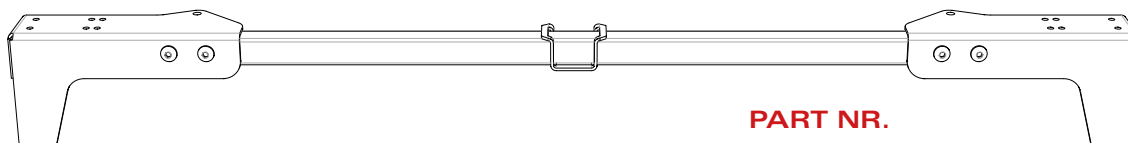
### 4a Back beam



|                | PART NR.  |
|----------------|-----------|
| SB=2550 - 208Z | 193-18001 |
| Mounting set   | 144-10022 |



### 4b Back beam



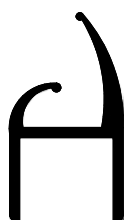
|                            | PART NR.  |
|----------------------------|-----------|
| Set back beam tube 30x30mm | 144-10037 |
| Tube 30x30x2mm             | 112-07001 |

### Rain strip for back beam (4a)



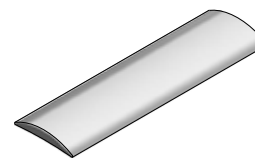
|         | PART NR.  |
|---------|-----------|
| SB=2550 | 192-01601 |

### Rain strip for front header

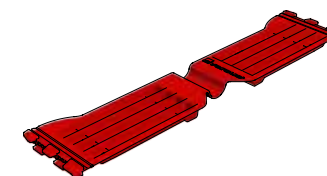


**ttwin**

|                               | PART NR.  |
|-------------------------------|-----------|
| Rain strip SB=2550            | 192-01606 |
| PVC pelmet L = 2,6m (black)   | 242-20001 |
| Mounting strip 30x5mm L= 2,6m | 292-07001 |



### 10 Folding plate



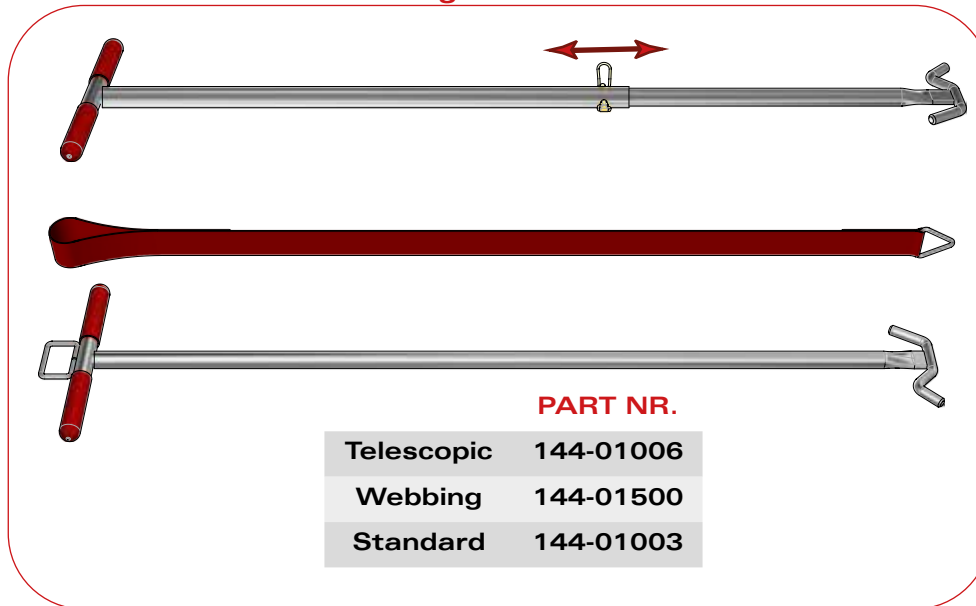
|          | PART NR.  |
|----------|-----------|
| Type 400 | 242-01004 |
| Type 500 | 242-01005 |
| Type 600 | 242-01006 |
| Type 700 | 242-01007 |
| Type 570 | 242-01057 |
| Type 650 | 242-01065 |

### 7 PVC pelmet (black)



|         | PART NR.  |
|---------|-----------|
| L = 9m  | 242-14109 |
| L = 14m | 242-14114 |

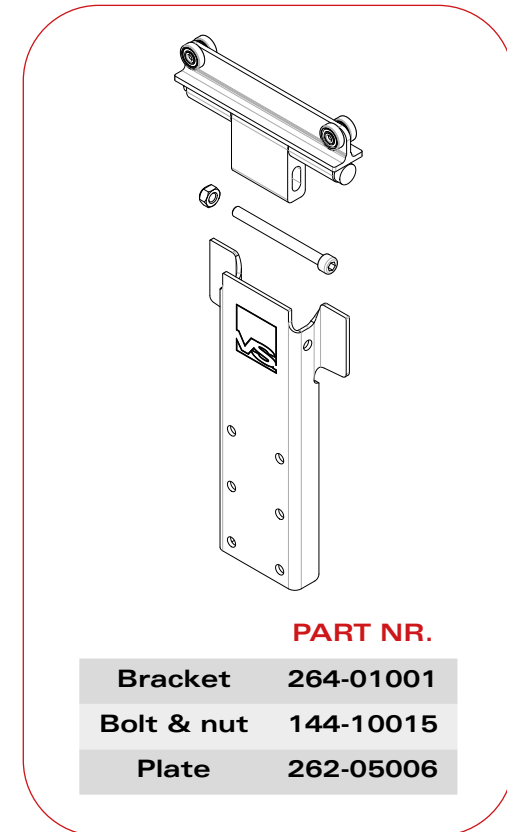
### 12 Pull bars & webbing



**PART NR.**

|            |           |
|------------|-----------|
| Telescopic | 144-01006 |
| Webbing    | 144-01500 |
| Standard   | 144-01003 |

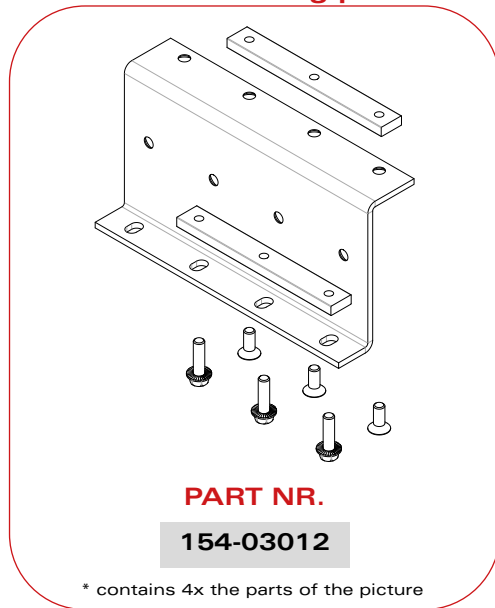
### 8 Pillar bracket



**PART NR.**

|            |           |
|------------|-----------|
| Bracket    | 264-01001 |
| Bolt & nut | 144-10015 |
| Plate      | 262-05006 |

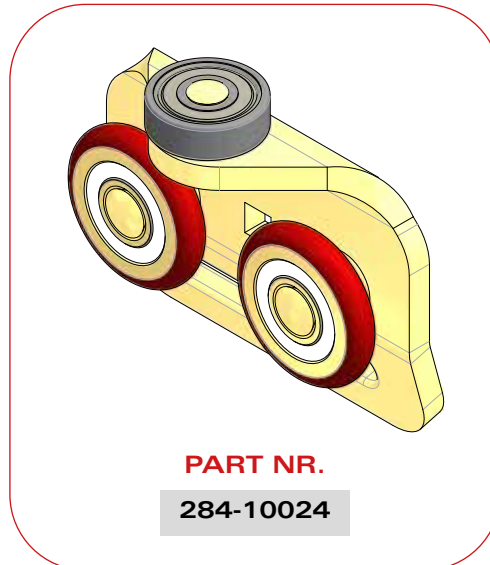
### 6 Set mounting plates



**PART NR.**  
**154-03012**

\* contains 4x the parts of the picture

### 5 Trike roller



**PART NR.**  
**284-10024**

### 11 Carapax plate

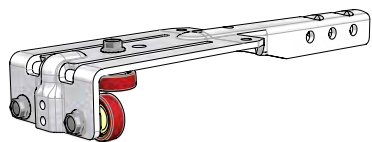


**PART NR.**  
**291-03004**

\* only needed for roof with Carapax cover



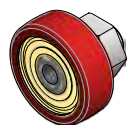
## For roof sticks



**Assembled bracket**

**PART NR.**

**174-02001**



**Roller bearing plastic**

**PART NR.**

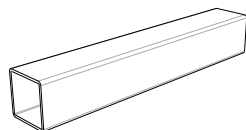
**132-01001**



**Bolt tensilock M6x16mm**

**PART NR.**

**091-23001**

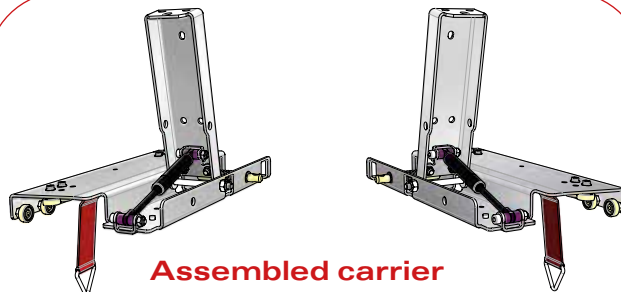


**Tube 30x30x1,5mm**

**PART NR.**

**L = 2185mm 112-01003**

## For collapsible backside

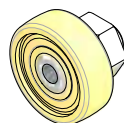


**Assembled carrier**

**PART NR.**

**Left 204-47201**

**Right 204-47202**



**Roller bearing steel**

**PART NR.**

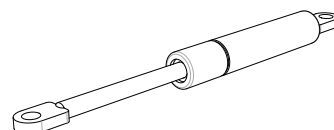
**132-03001**



**Bolt tensilock M6x16mm**

**PART NR.**

**091-23001**

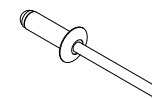


**Gas spring 700N**

**PART NR.**

**302-01001**

## For accessories set



**Rivet & washer**

**PART NR.**

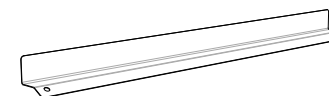
**50 pieces 144-10003**



**Rope clamp**

**PART NR.**

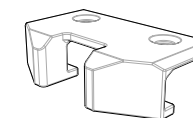
**292-01001**



**Protection plate**

**PART NR.**

**142-06006**



**Locking nose**

**PART NR.**

**142-05020**

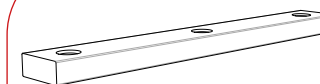


**Chain with 2 hooks**

**PART NR.**

**142-07001**

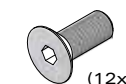
## For mounting set



**Mounting block**

**PART NR.**

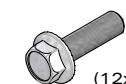
**152-02001**



**Bolt  
M10x25mm**

**PART NR.**

**091-26002**



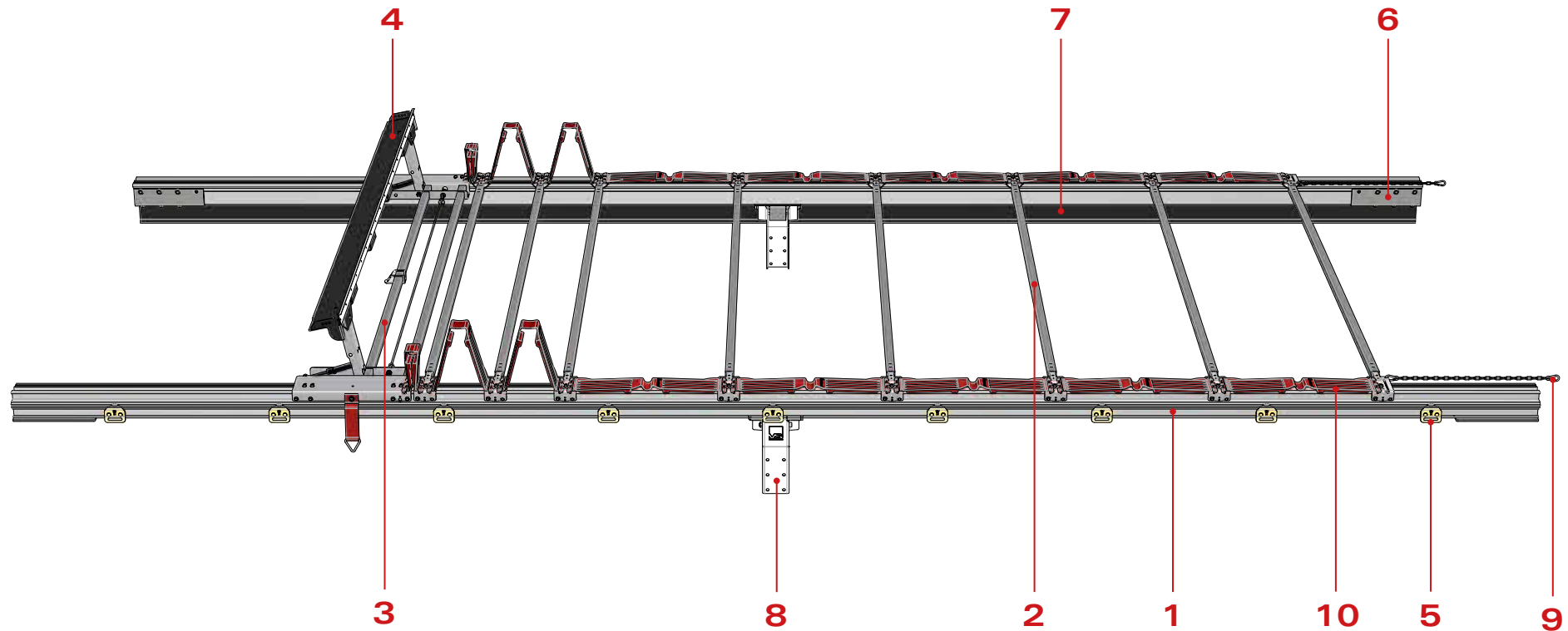
**Bolt tensilock  
M10x35mm**

**PART NR.**

**091-23002**





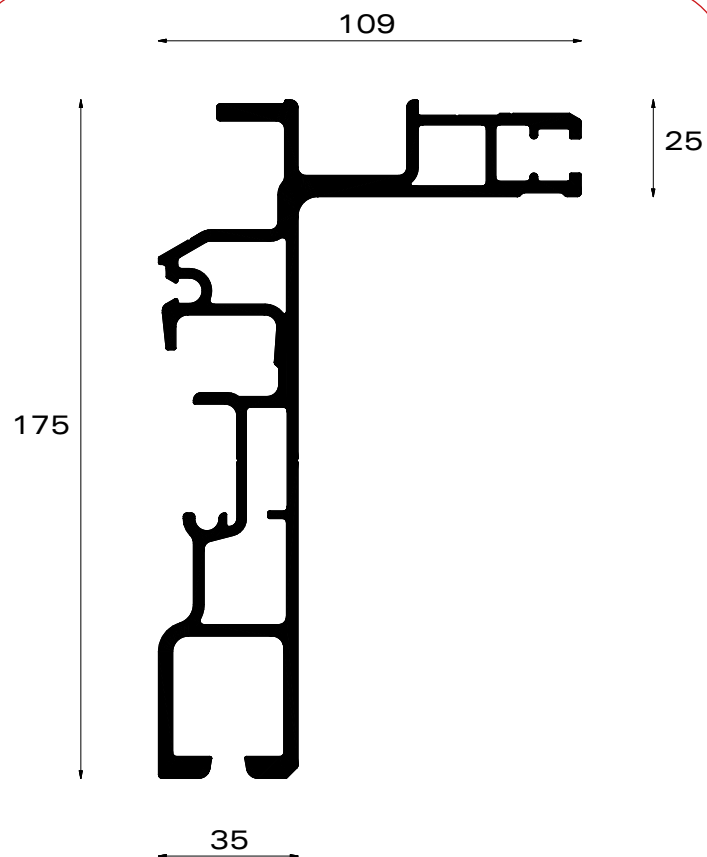


|          |                       |
|----------|-----------------------|
| <b>1</b> | Alto Trike Light rail |
| <b>2</b> | Roof stick            |
| <b>3</b> | Collapsible backside  |
| <b>4</b> | Back beam             |
| <b>5</b> | Trike roller          |
| <b>6</b> | Set mounting plates   |

|           |                 |
|-----------|-----------------|
| <b>7</b>  | PVC pelmet      |
| <b>8</b>  | Pillar bracket  |
| <b>9</b>  | Set accessories |
| <b>10</b> | Folding plate   |
| <b>11</b> | Carapax plate   |
| <b>12</b> | Pull bar        |



### 1 Alto Trike Light rail



#### PART NR.

|          |           |
|----------|-----------|
| L = 7,8m | 162-22780 |
| L = 8,5m | 162-22850 |

$I_x : 681\text{cm}^4$   
 $I_y : 162\text{cm}^4$   
 $\pm 5,8 \text{ kg/m}$

### 2a Roof stick for sliding roof



#### PART NR.

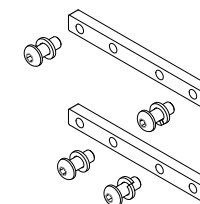
|                        |           |
|------------------------|-----------|
| SB=2550 - Type SP      | 224-01001 |
| SB=2550 - Type AS (Al) | 224-03001 |

### 2b Roof stick for fixed roof with polyester cover



#### PART NR.

|                             |           |
|-----------------------------|-----------|
| SB=2550 - Type SP           | 224-41101 |
| SB=2550 - Type AS (Al)      | 224-43101 |
| Mounting set roof stick fix | 144-10048 |



\* Roof stick screwed to rail with bolts

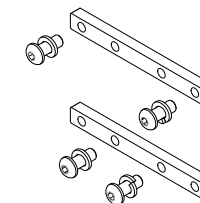
\* 1 set/roof stick

### 2c Roof stick for fixed roof with tarpaulin cover



#### PART NR.

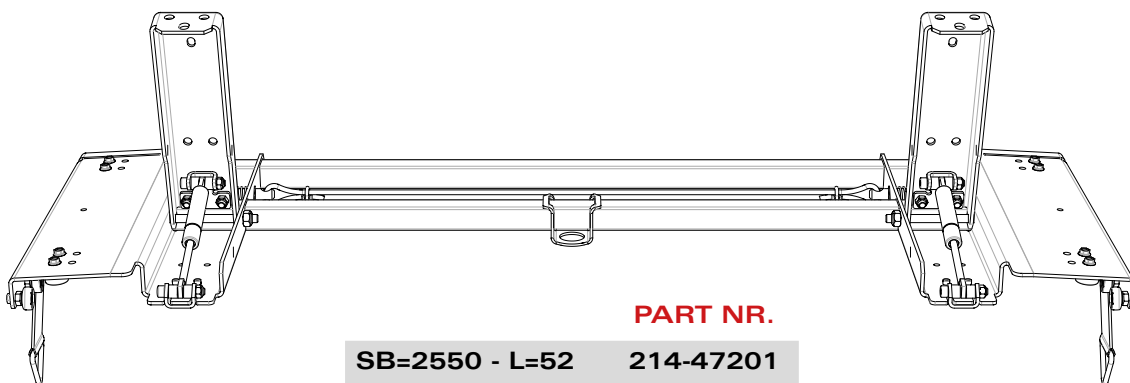
|                             |           |
|-----------------------------|-----------|
| SB=2550 - Type SP           | 224-41211 |
| SB=2550 - Type AS (Al)      | 224-43211 |
| Mounting set roof stick fix | 144-10048 |



\*Roof stick screwed to rail with bolts

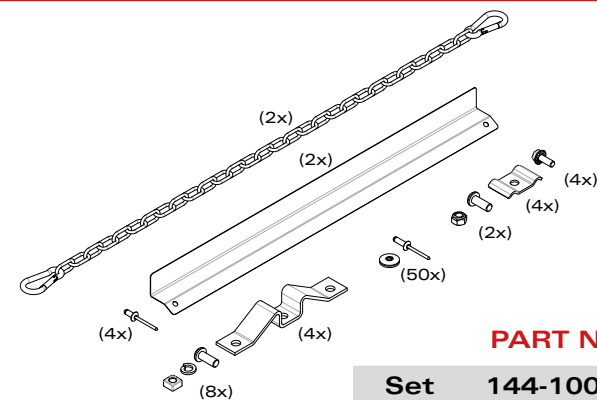
\* 1 set/roof stick

**3a Collapsible backside**



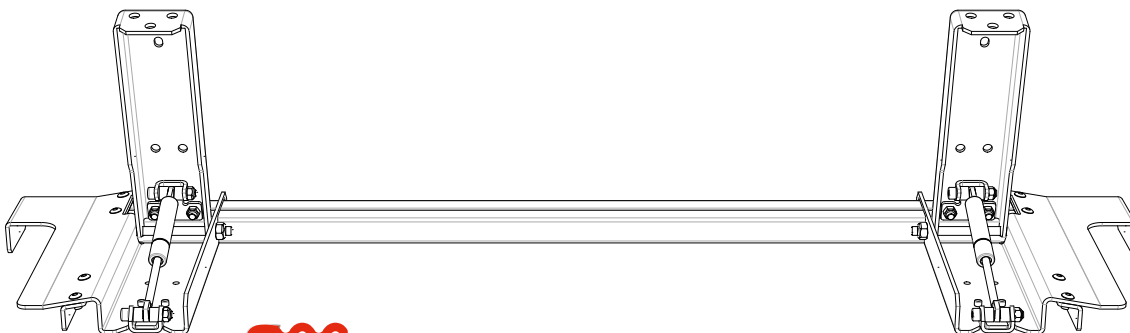
**PART NR.**  
SB=2550 - L=52 214-47201

**9a Set accessories**



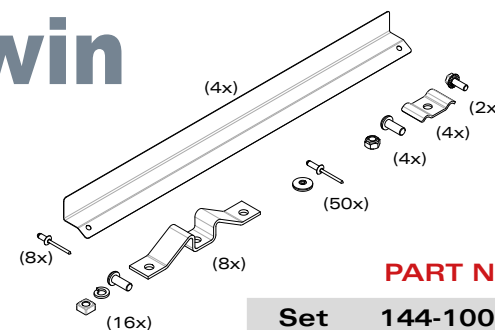
**PART NR.**  
Set 144-10001

**3b Collapsible backside for fixed roof with tarpaulin cover**



**PART NR.**  
SB=2550 - L=100 324-47201

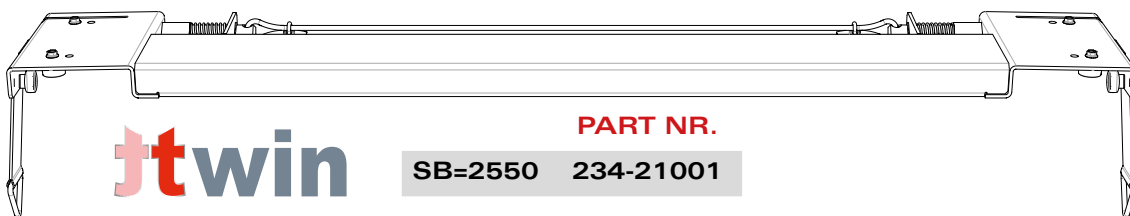
**9b Set accessories Twin**



**PART NR.**  
Set 144-10018

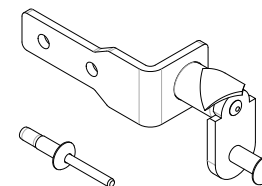
\* Alto Trike Light Twin sliding roof: this set replaces the basic set accessories (144-10001)!

**Front header**



**PART NR.**  
SB=2550 234-21001

**9c Set lock collapsible backside**



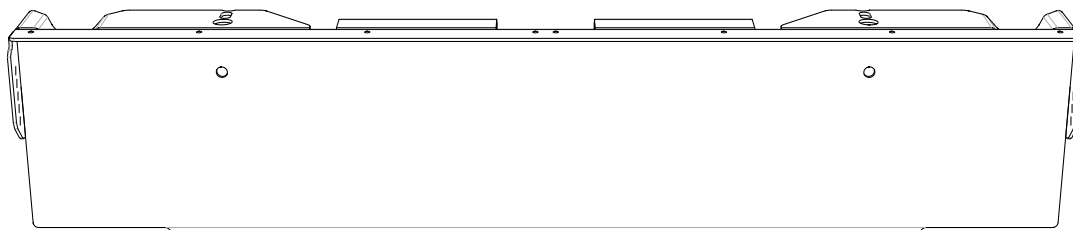
**PART NR.**  
Set 144-10086

**9d Set accessories external unlocking**



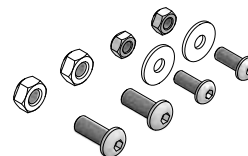
**PART NR.**  
Set 144-10174

### 4a Back beam

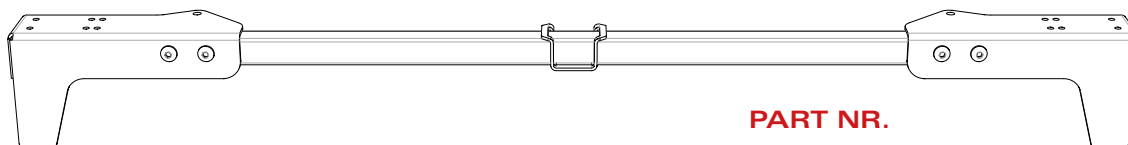


#### PART NR.

|                |           |
|----------------|-----------|
| SB=2550 - 208Z | 193-18001 |
| Mounting set   | 144-10022 |



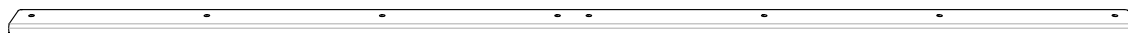
### 4b Back beam



#### PART NR.

|                            |           |
|----------------------------|-----------|
| Set back beam tube 30x30mm | 144-10037 |
| Tube 30x30x2mm             | 112-07001 |

### Rain strip for back beam (4a)



#### PART NR.

|         |           |
|---------|-----------|
| SB=2550 | 192-01601 |
|---------|-----------|

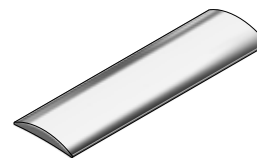
### Rain strip for front header



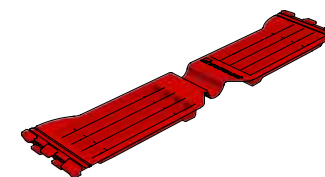
**ttwin**

#### PART NR.

|                               |           |
|-------------------------------|-----------|
| Rain strip SB=2550            | 192-01606 |
| PVC pelmet L = 2,6m (black)   | 242-20001 |
| Mounting strip 30x5mm L= 2,6m | 292-07001 |



### 10 Folding plate



#### PART NR.

|          |           |
|----------|-----------|
| Type 400 | 242-01004 |
| Type 500 | 242-01005 |
| Type 600 | 242-01006 |
| Type 700 | 242-01007 |
| Type 570 | 242-01057 |
| Type 650 | 242-01065 |

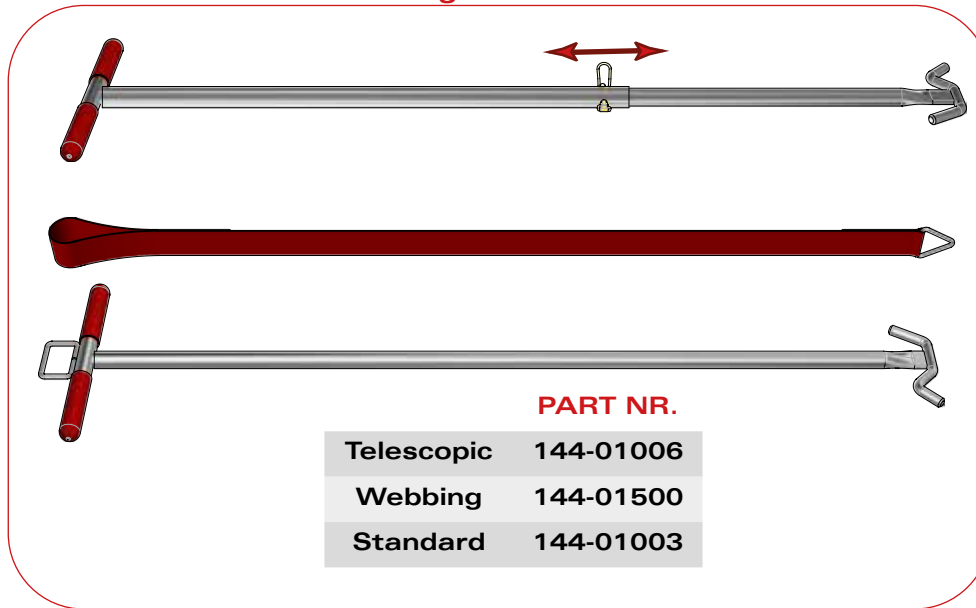
### 7 PVC pelmet (black)



#### PART NR.

|         |           |
|---------|-----------|
| L = 9m  | 242-14109 |
| L = 14m | 242-14114 |

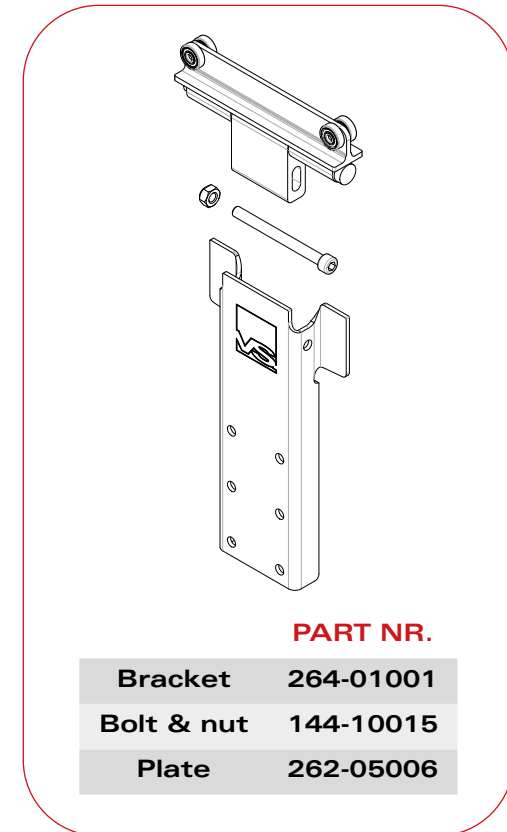
### 12 Pull bars & webbing



**PART NR.**

|            |           |
|------------|-----------|
| Telescopic | 144-01006 |
| Webbing    | 144-01500 |
| Standard   | 144-01003 |

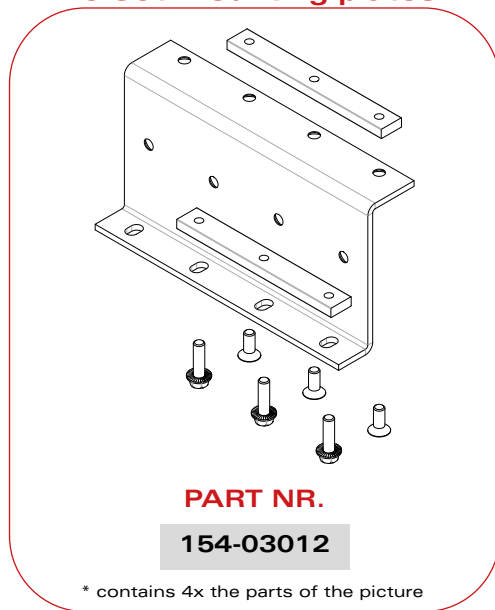
### 8 Pillar bracket



**PART NR.**

|            |           |
|------------|-----------|
| Bracket    | 264-01001 |
| Bolt & nut | 144-10015 |
| Plate      | 262-05006 |

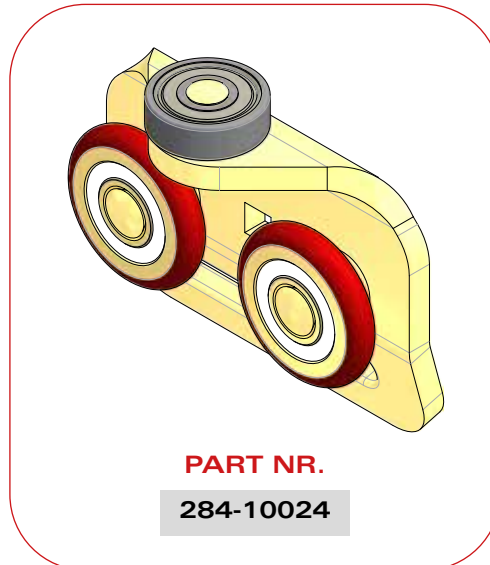
### 6 Set mounting plates



**PART NR.**  
**154-03012**

\* contains 4x the parts of the picture

### 5 Trike roller



**PART NR.**  
**284-10024**

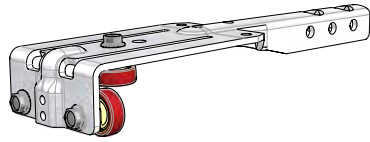
### 11 Carapax plate



**PART NR.**  
**291-03004**

\* only needed for roof with Carapax cover

## For roof sticks



**Assembled bracket**

**PART NR.**

**174-02001**



**Roller bearing plastic**

**PART NR.**

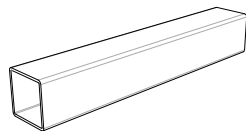
**132-01001**



**Bolt tensilock M6x16mm**

**PART NR.**

**091-23001**

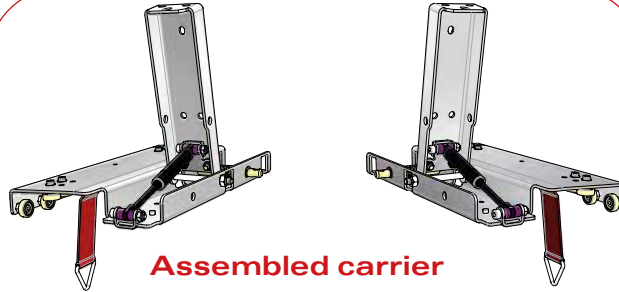


**Tube 30x30x1,5mm**

**PART NR.**

**L = 2185mm 112-01003**

## For collapsible backside

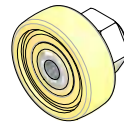


**Assembled carrier**

**PART NR.**

**Left 204-47201**

**Right 204-47202**



**Roller bearing steel**

**PART NR.**

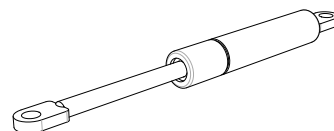
**132-03001**



**Bolt tensilock M6x16mm**

**PART NR.**

**091-23001**

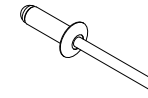


**Gas spring 700N**

**PART NR.**

**302-01001**

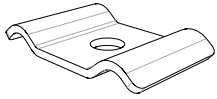
## For accessories set



**Rivet & washer**

**PART NR.**

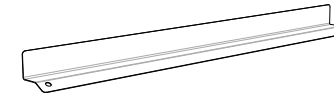
**50 pieces 144-10003**



**Rope clamp**

**PART NR.**

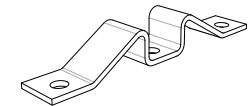
**292-01001**



**Protection plate**

**PART NR.**

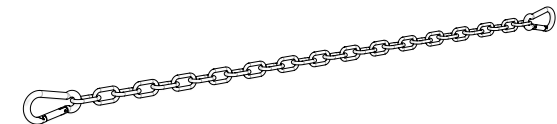
**142-06006**



**Locking nose**

**PART NR.**

**142-05002**

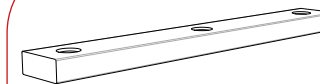


**Chain with 2 hooks**

**PART NR.**

**142-07001**

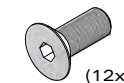
## For mounting set



**Mounting block**

**PART NR.**

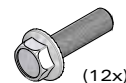
**152-02001**



**Bolt M10x25mm**

**PART NR.**

**091-26002**



**Bolt tensilock M10x35mm**

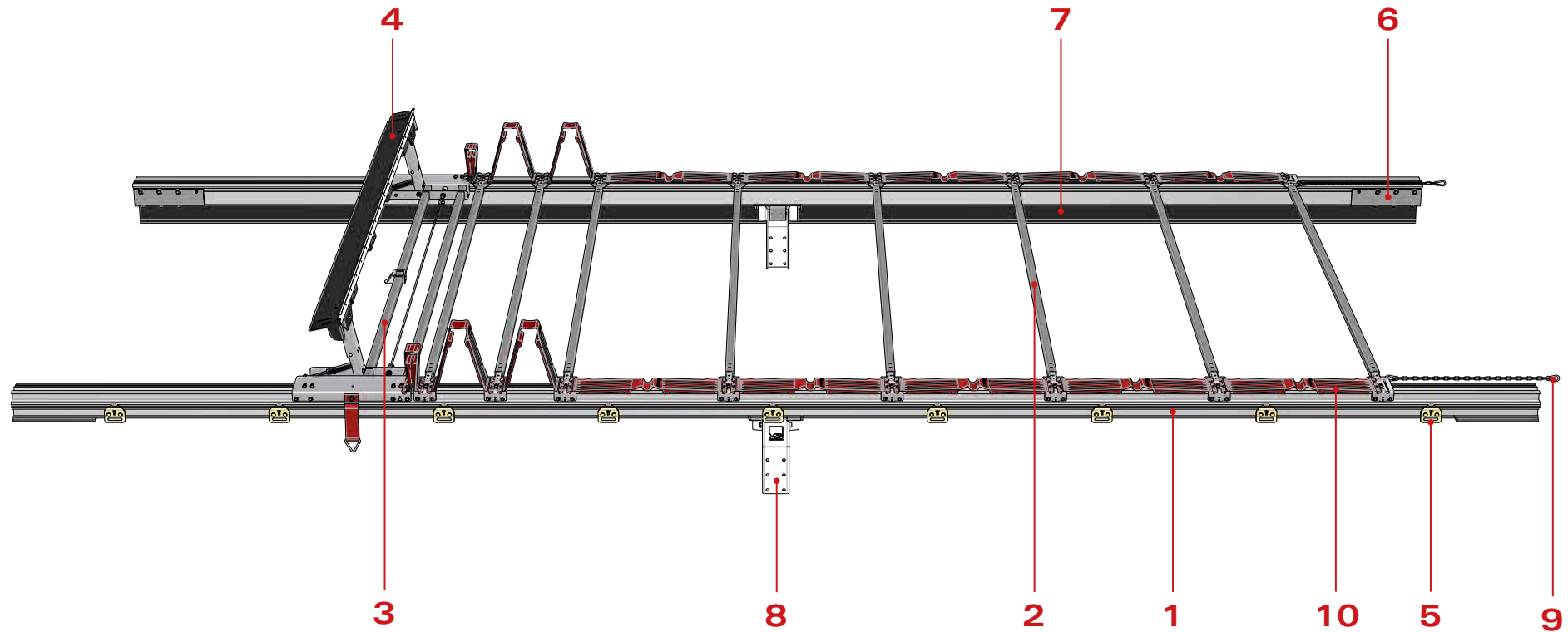
**PART NR.**

**091-23002**





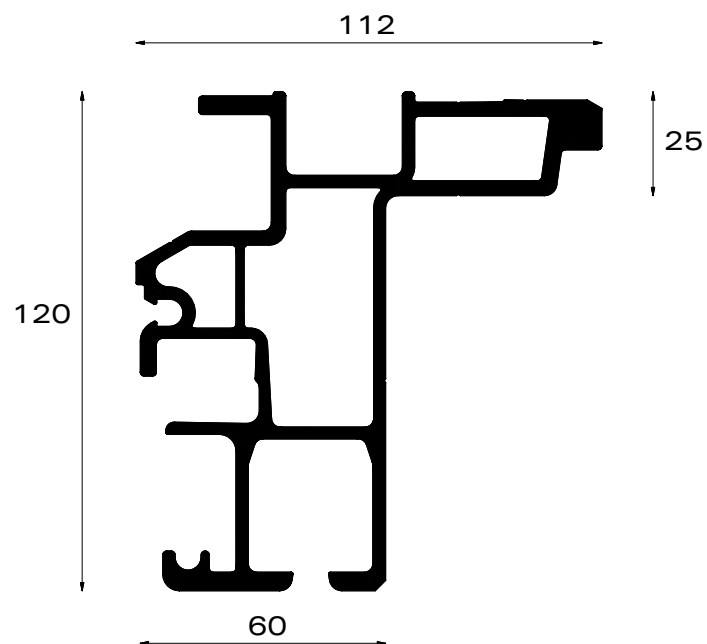




|          |                      |
|----------|----------------------|
| <b>1</b> | Duo Trike rail       |
| <b>2</b> | Roof stick           |
| <b>3</b> | Collapsible backside |
| <b>4</b> | Back beam            |
| <b>5</b> | Trike roller         |
| <b>6</b> | Set mounting plates  |

|           |                 |
|-----------|-----------------|
| <b>7</b>  | PVC pelmet      |
| <b>8</b>  | Pillar bracket  |
| <b>9</b>  | Set accessories |
| <b>10</b> | Folding plate   |
| <b>11</b> | Carapax plate   |
| <b>12</b> | Pull bar        |

### 1 Duo Trike rail



#### PART NR.

\* L = 10,2m 162-35102

\* L = 13,6m 162-35136

\* profile with pre-bending

$I_x : 291\text{cm}^4$   
 $I_y : 175\text{cm}^4$   
 $\pm 5,3 \text{ kg/m}$

### 2a Roof stick for sliding roof

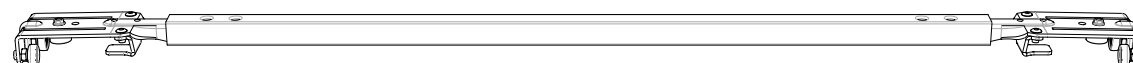


#### PART NR.

SB=2550 - Type SP 224-01001

SB=2550 - Type AS (Al) 224-03001

### 2b Roof stick with anti-fly hook for sliding roof

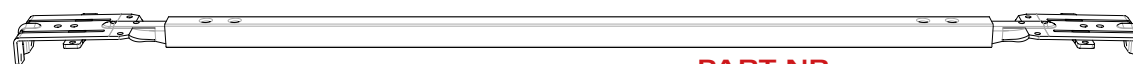


#### PART NR.

SB=2550 - Type SP 224-91001

SB=2550 - Type AS (Al) 224-93001

### 2c Roof stick for fixed roof with tarpaulin cover



#### PART NR.

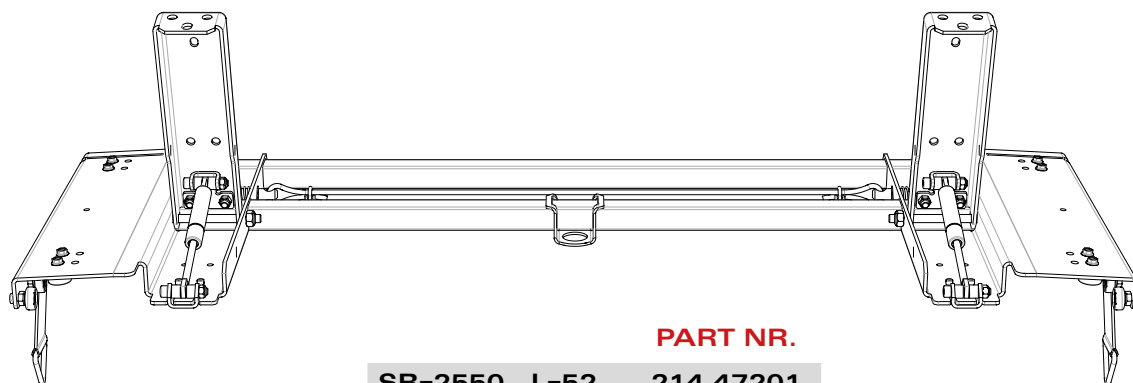


SB=2550 - Type SP 224-41201

SB=2550 - Type AS (Al) 224-43201

\* Roof stick riveted to rail with monobolts

**3a Collapsible backside**



**PART NR.**  
SB=2550 - L=52 214-47201

**3b Collapsible backside for fixed roof with tarpaulin cover**



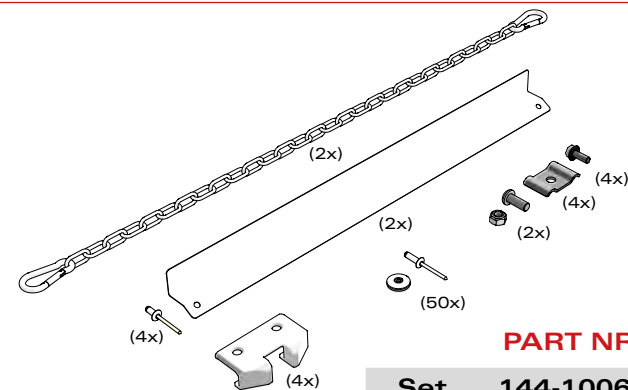
**PART NR.**  
SB=2550 - L=100 324-47001

**Front header**



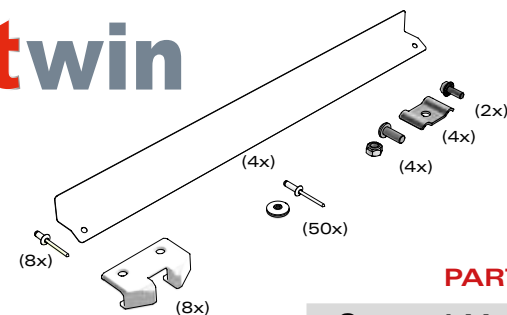
**PART NR.**  
SB=2550 234-21001

**9a Set accessories**



**PART NR.**  
Set 144-10067

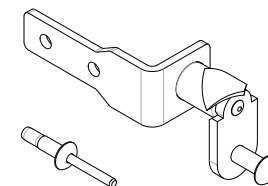
**9b Set accessories Twin**



**PART NR.**  
Set 144-10082

\* Duo Trike Twin sliding roof: this set replaces the basic set accessories (144-10067)!

**9c Set lock collapsible backside**



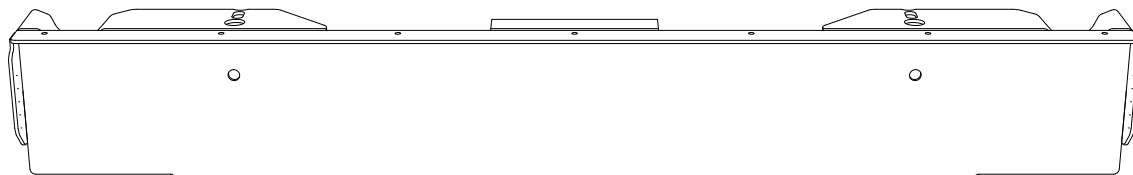
**PART NR.**  
Set 144-10086

**9d Set accessories external unlocking**

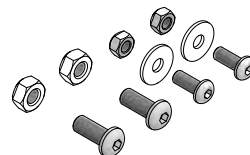


**PART NR.**  
Set 144-10174

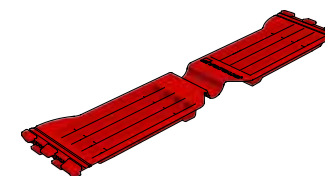
### 4a Back beam



|                | PART NR.  |
|----------------|-----------|
| SB=2550 - 145Z | 193-14001 |
| Mounting set   | 144-10022 |

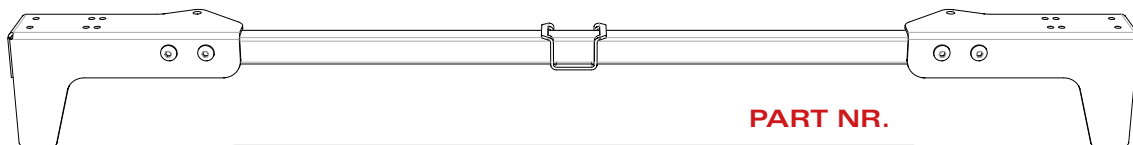


### 10 Folding plate



|          | PART NR.  |
|----------|-----------|
| Type 400 | 242-01004 |
| Type 500 | 242-01005 |
| Type 600 | 242-01006 |
| Type 700 | 242-01007 |
| Type 570 | 242-01057 |
| Type 650 | 242-01065 |

### 4b Back beam



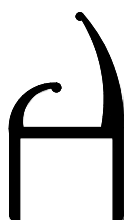
|                            | PART NR.  |
|----------------------------|-----------|
| Set back beam tube 30x30mm | 144-10037 |
| Tube 30x30x2mm             | 112-07001 |

### Rain strip for back beam (4a)



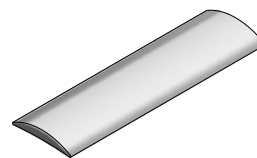
|         | PART NR.  |
|---------|-----------|
| SB=2550 | 192-01601 |

### Rain strip for front header



**ttwin**

|                               | PART NR.  |
|-------------------------------|-----------|
| Rain strip SB=2550            | 192-01606 |
| PVC pelmet L = 2,6m (black)   | 242-20001 |
| Mounting strip 30x5mm L= 2,6m | 292-07001 |



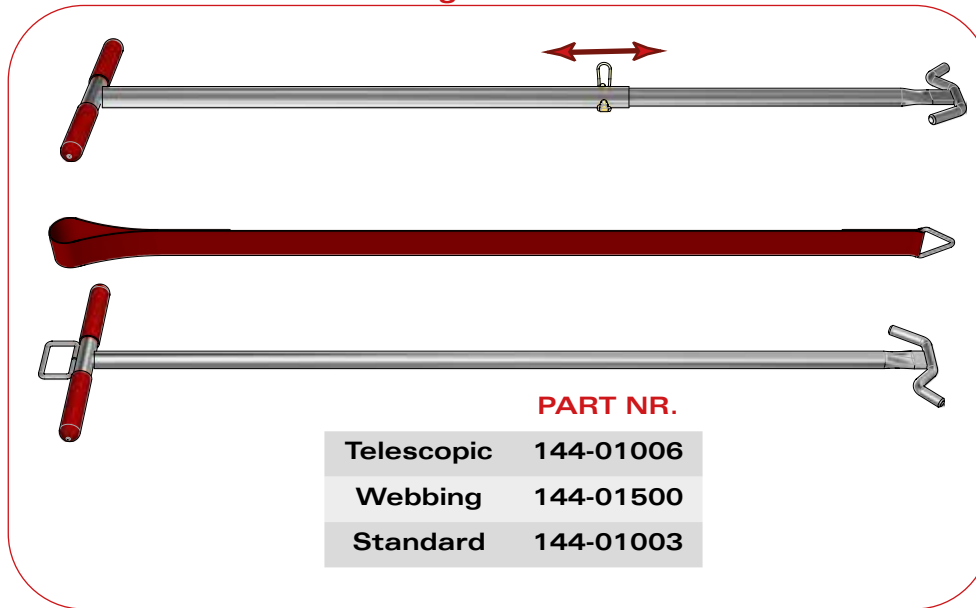
### 7 PVC pelmet (black)



|         | PART NR.  |
|---------|-----------|
| L = 9m  | 242-14109 |
| L = 14m | 242-14114 |



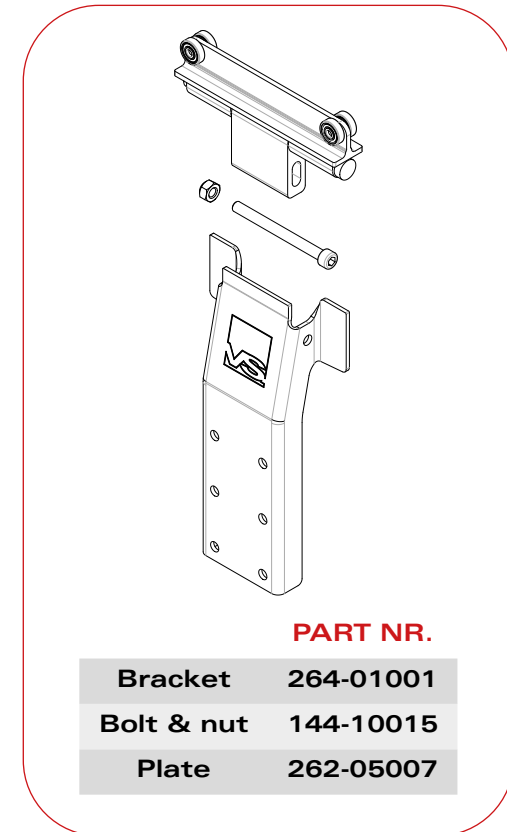
### 12 Pull bars & webbing



**PART NR.**

|            |           |
|------------|-----------|
| Telescopic | 144-01006 |
| Webbing    | 144-01500 |
| Standard   | 144-01003 |

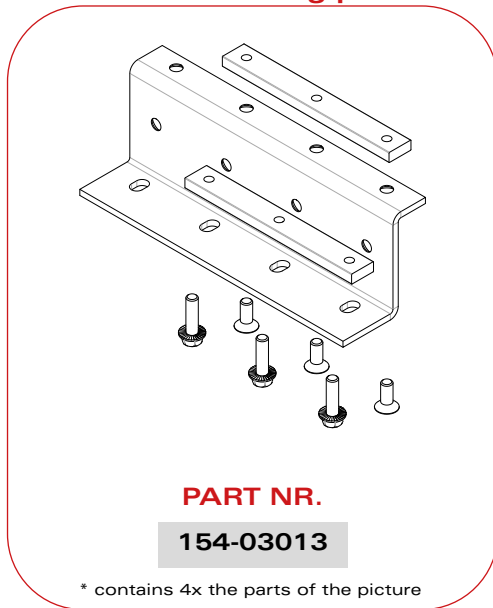
### 8 Pillar bracket



**PART NR.**

|            |           |
|------------|-----------|
| Bracket    | 264-01001 |
| Bolt & nut | 144-10015 |
| Plate      | 262-05007 |

### 6 Set mounting plates

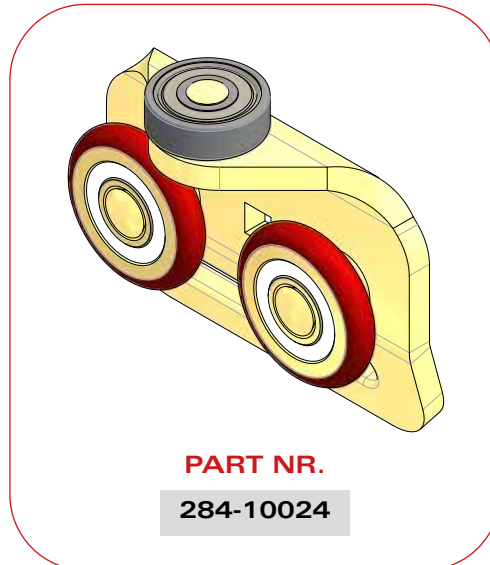


**PART NR.**

154-03013

\* contains 4x the parts of the picture

### 5 Trike roller



**PART NR.**

284-10024

### 11 Carapax plate

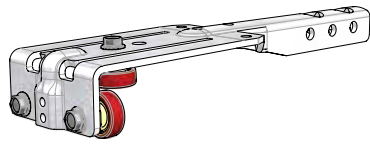


**PART NR.**

291-03004

\* only needed for roof with Carapax cover

## For roof sticks



**Assembled bracket**

**PART NR.**

**174-02001**



**Roller bearing plastic**

**PART NR.**

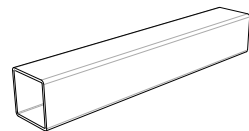
**132-01001**



**Bolt tensilock M6x16mm**

**PART NR.**

**091-23001**

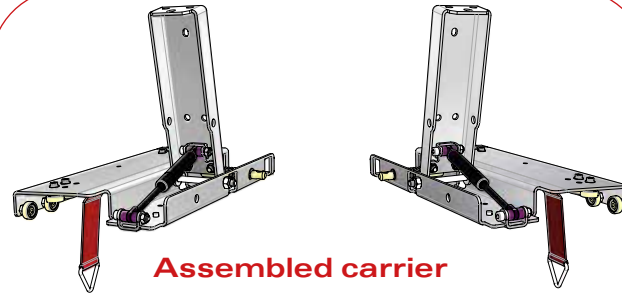


**Tube 30x30x1,5mm**

**PART NR.**

**L = 2185mm 112-01003**

## For collapsible backside

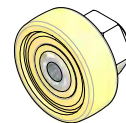


**Assembled carrier**

**PART NR.**

**Left 204-47201**

**Right 204-47202**



**Roller bearing steel**

**PART NR.**

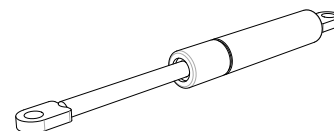
**132-03001**



**Bolt tensilock M6x16mm**

**PART NR.**

**091-23001**

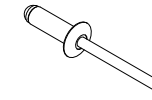


**Gas spring 700N**

**PART NR.**

**302-01001**

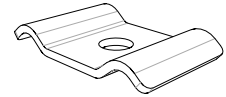
## For accessories set



**Rivet & washer**

**PART NR.**

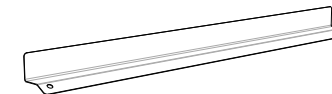
**50 pieces 144-10003**



**Rope clamp**

**PART NR.**

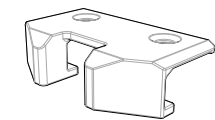
**292-01001**



**Protection plate**

**PART NR.**

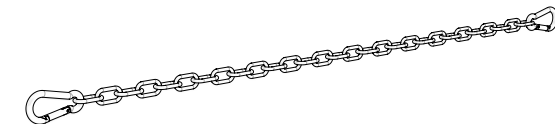
**142-06006**



**Locking nose**

**PART NR.**

**142-05020**

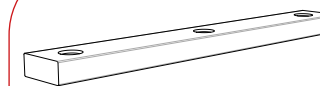


**Chain with 2 hooks**

**PART NR.**

**142-07001**

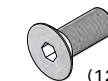
## For mounting set



**Mounting block**

**PART NR.**

**152-02001**

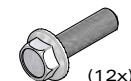


(12x)

**Bolt M10x25mm**

**PART NR.**

**091-26002**



(12x)

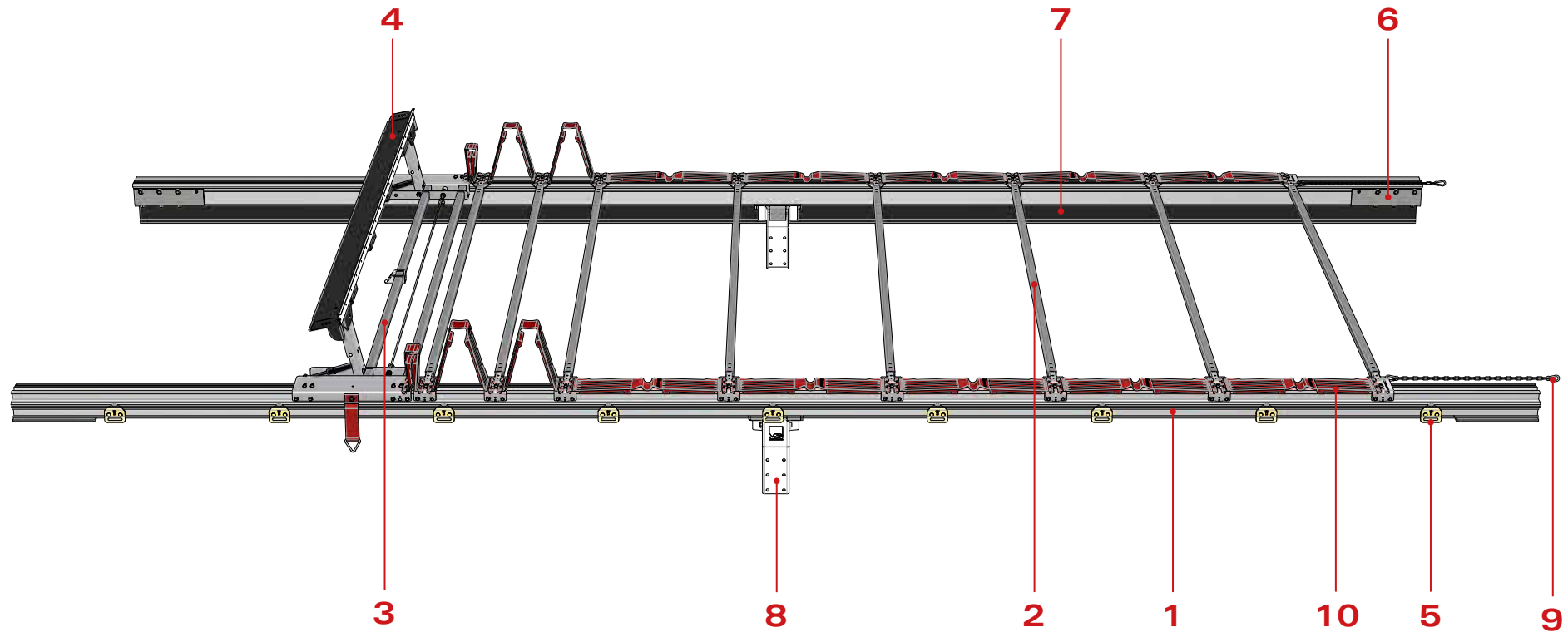
**Bolt tensilock M10x35mm**

**PART NR.**

**091-23002**

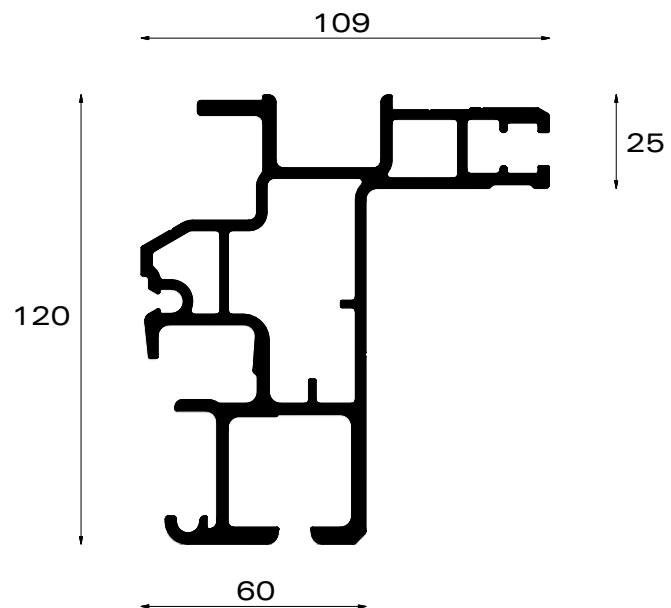






|          |                      |           |                 |
|----------|----------------------|-----------|-----------------|
| <b>1</b> | Duo Trike Light rail | <b>7</b>  | PVC pelmet      |
| <b>2</b> | Roof stick           | <b>8</b>  | Pillar bracket  |
| <b>3</b> | Collapsible backside | <b>9</b>  | Set accessories |
| <b>4</b> | Back beam            | <b>10</b> | Folding plate   |
| <b>5</b> | Trike roller         | <b>11</b> | Carapax plate   |
| <b>6</b> | Set mounting plates  | <b>12</b> | Pull bar        |

### 1 Duo Trike Light rail



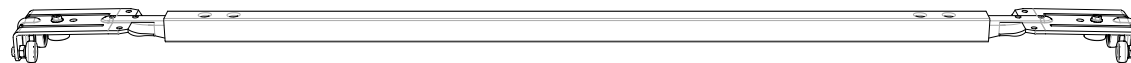
#### PART NR.

L = 7,8m 162-23780

L = 8,5m 162-23850

$I_x : 262\text{cm}^4$   
 $I_y : 139\text{cm}^4$   
 $\pm 4,9 \text{ kg/m}$

### 2a Roof stick for sliding roof



#### PART NR.

SB=2550 - Type SP 224-01001

SB=2550 - Type AS (Al) 224-03001

### 2b Roof stick for fixed roof with polyester cover

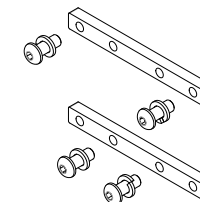


#### PART NR.

SB=2550 - Type SP 224-41101

SB=2550 - Type AS (Al) 224-43101

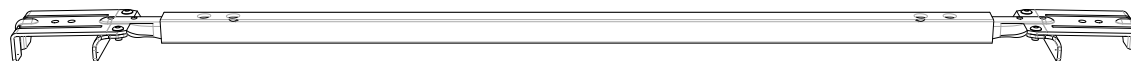
Mounting set roof stick fix 144-10048



\* Roof stick screwed to rail with bolts

\* 1 set/roof stick

### 2c Roof stick for fixed roof with tarpaulin cover

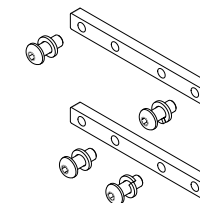


#### PART NR.

SB=2550 - Type SP 224-41211

SB=2550 - Type AS (Al) 224-43211

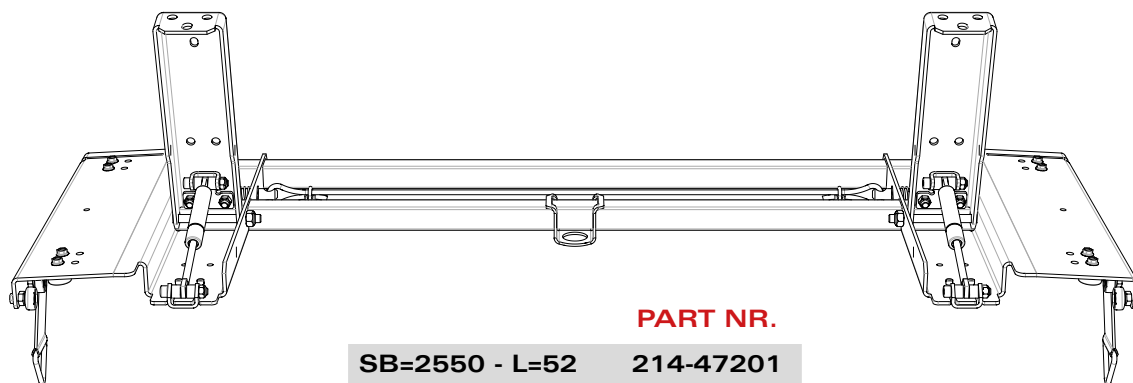
Mounting set roof stick fix 144-10048



\* Roof stick screwed to rail with bolts

\* 1 set/roof stick

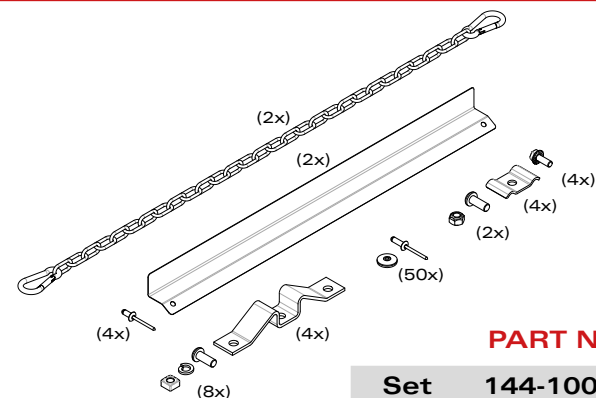
**3a Collapsible backside**



**PART NR.**

**SB=2550 - L=52 214-47201**

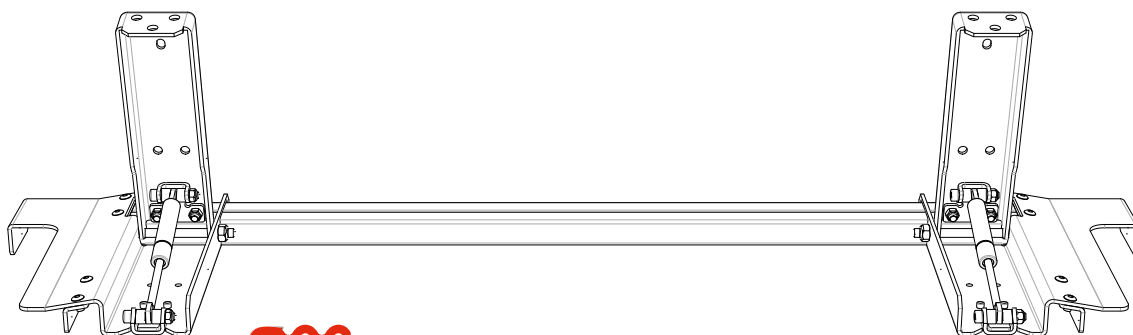
**9a Set accessories**



**PART NR.**

**Set 144-10001**

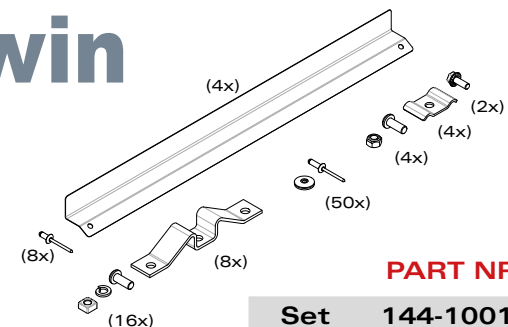
**3b Collapsible backside for fixed roof with tarpaulin cover**



**PART NR.**

**SB=2550 - L=100 324-47201**

**9b Set accessories Twin**

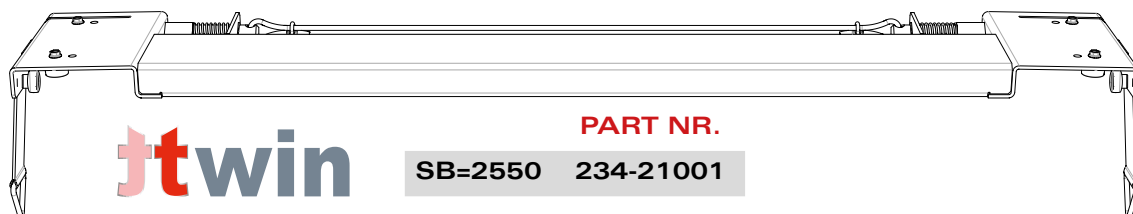


**PART NR.**

**Set 144-10018**

\* Duo Trike Light Twin sliding roof: this set replaces the basic set accessories (144-10001)!

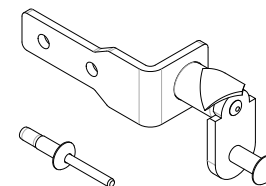
**Front header**



**PART NR.**

**SB=2550 234-21001**

**9c Set lock collapsible backside**



**PART NR.**

**Set 144-10086**

**9d Set accessories external unlocking**

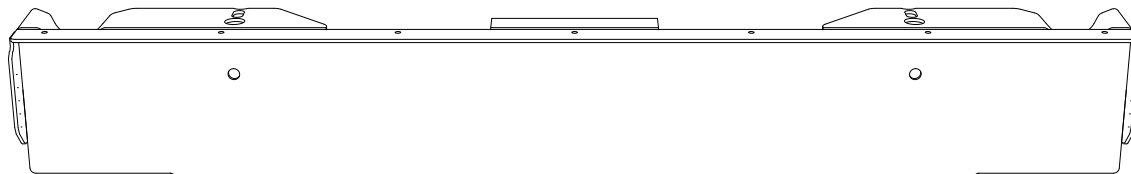


**PART NR.**

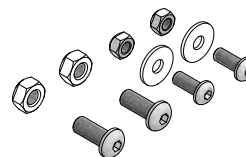
**Set 144-10174**



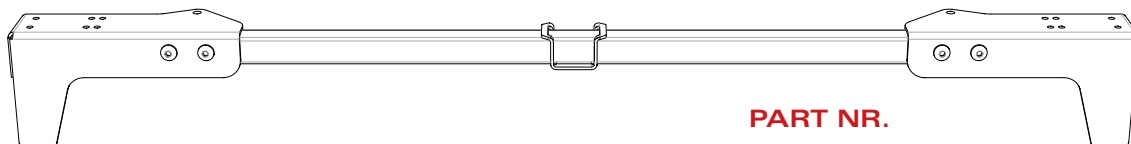
**4a Back beam**



|                | <b>PART NR.</b> |
|----------------|-----------------|
| SB=2550 - 145Z | 193-14001       |
| Mounting set   | 144-10022       |

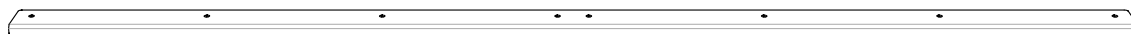


**4b Back beam**



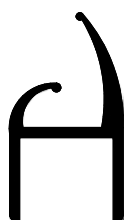
|                            | <b>PART NR.</b> |
|----------------------------|-----------------|
| Set back beam tube 30x30mm | 144-10037       |
| Tube 30x30x2mm             | 112-07001       |

**Rain strip for back beam (4a)**



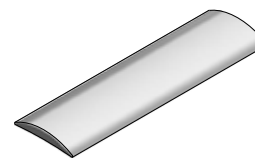
|         | <b>PART NR.</b> |
|---------|-----------------|
| SB=2550 | 192-01601       |

**Rain strip for front header**

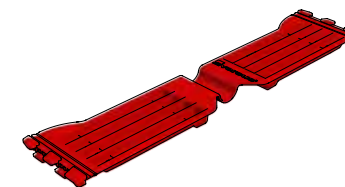


**ttwin**

|                               | <b>PART NR.</b> |
|-------------------------------|-----------------|
| Rain strip SB=2550            | 192-01606       |
| PVC pelmet L = 2,6m (black)   | 242-20001       |
| Mounting strip 30x5mm L= 2,6m | 292-07001       |



**10 Folding plate**



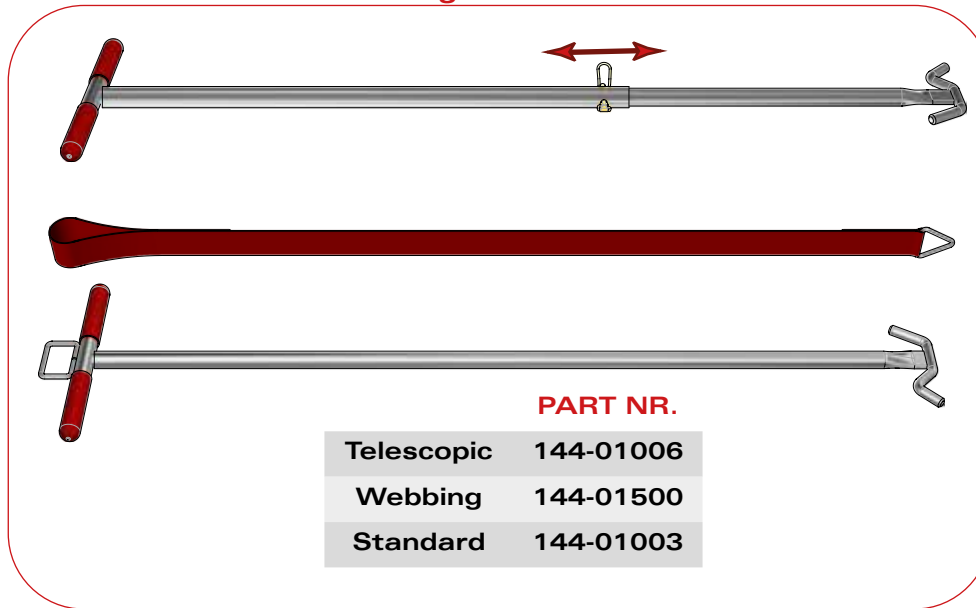
|          | <b>PART NR.</b> |
|----------|-----------------|
| Type 400 | 242-01004       |
| Type 500 | 242-01005       |
| Type 600 | 242-01006       |
| Type 700 | 242-01007       |
| Type 570 | 242-01057       |
| Type 650 | 242-01065       |

**7 PVC pelmet (black)**



|         | <b>PART NR.</b> |
|---------|-----------------|
| L = 9m  | 242-14109       |
| L = 14m | 242-14114       |

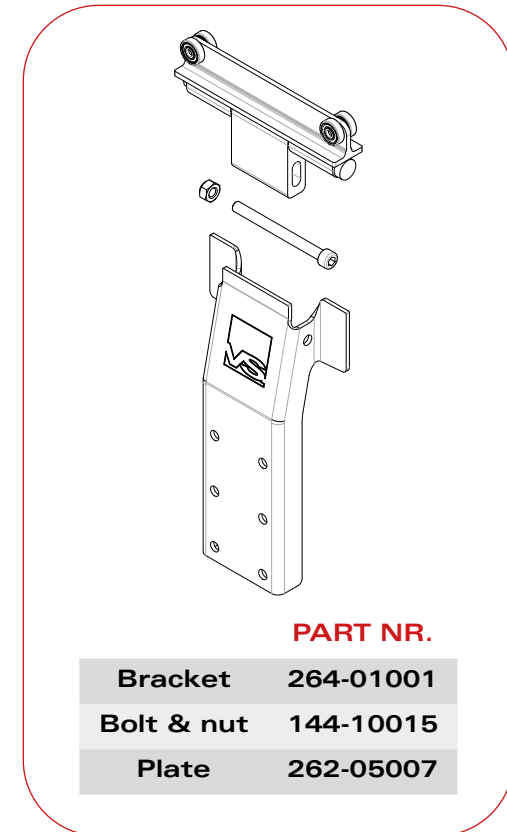
### 12 Pull bars & webbing



**PART NR.**

|            |           |
|------------|-----------|
| Telescopic | 144-01006 |
| Webbing    | 144-01500 |
| Standard   | 144-01003 |

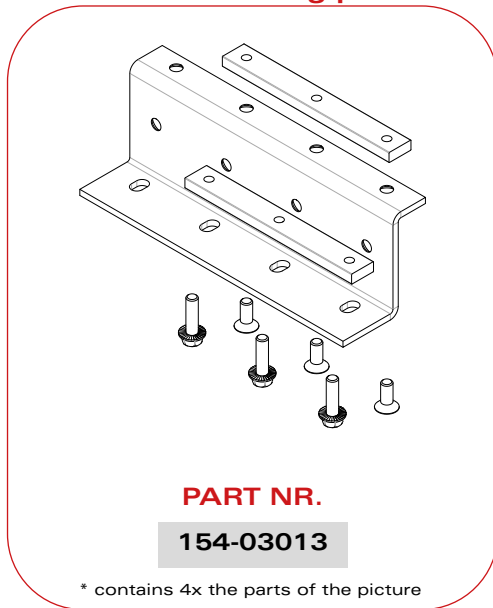
### 8 Pillar bracket



**PART NR.**

|            |           |
|------------|-----------|
| Bracket    | 264-01001 |
| Bolt & nut | 144-10015 |
| Plate      | 262-05007 |

### 6 Set mounting plates

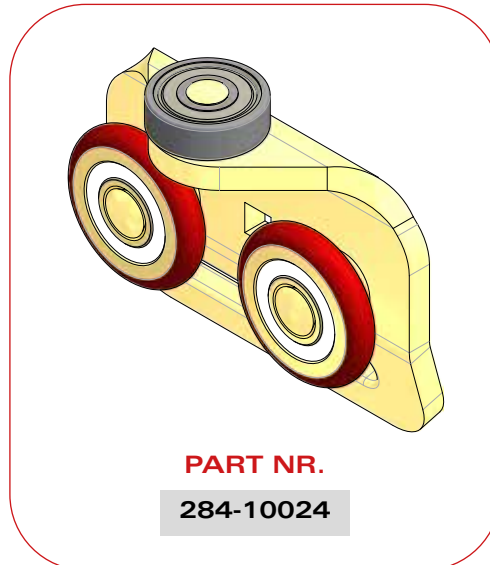


**PART NR.**

154-03013

\* contains 4x the parts of the picture

### 5 Trike roller



**PART NR.**

284-10024

### 11 Carapax plate

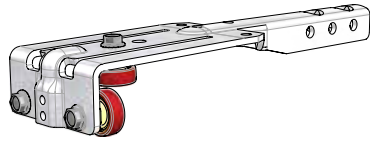


**PART NR.**

291-03004

\* only needed for roof with Carapax cover

## For roof sticks



**Assembled bracket**

**PART NR.**

**174-02001**



**Roller bearing plastic**

**PART NR.**

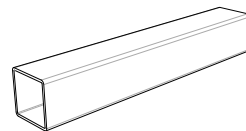
**132-01001**



**Bolt tensilock M6x16mm**

**PART NR.**

**091-23001**

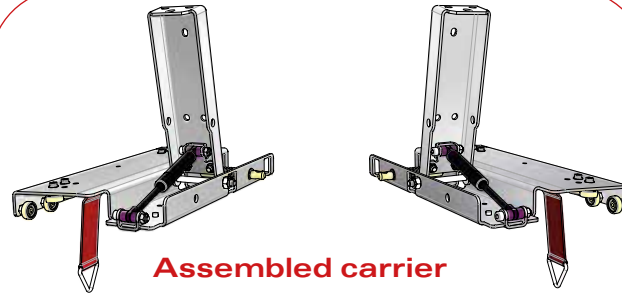


**Tube 30x30x1,5mm**

**PART NR.**

**L = 2185mm 112-01003**

## For collapsible backside

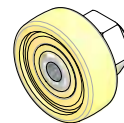


**Assembled carrier**

**PART NR.**

**Left 204-47201**

**Right 204-47202**



**Roller bearing steel**

**PART NR.**

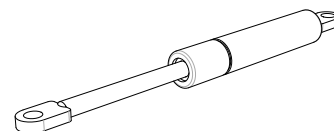
**132-03001**



**Bolt tensilock M6x16mm**

**PART NR.**

**091-23001**

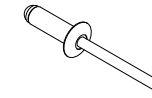


**Gas spring 700N**

**PART NR.**

**302-01001**

## For accessories set



**Rivet & washer**

**PART NR.**

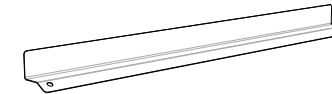
**50 pieces 144-10003**



**Rope clamp**

**PART NR.**

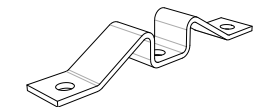
**292-01001**



**Protection plate**

**PART NR.**

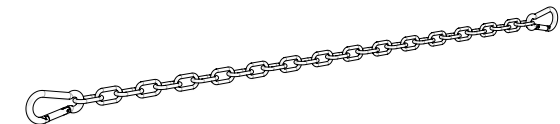
**142-06006**



**Locking nose**

**PART NR.**

**142-05002**

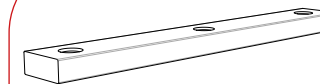


**Chain with 2 hooks**

**PART NR.**

**142-07001**

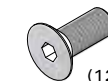
## For mounting set



**Mounting block**

**PART NR.**

**152-02001**

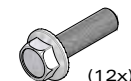


(12x)

**Bolt M10x25mm**

**PART NR.**

**091-26002**



(12x)

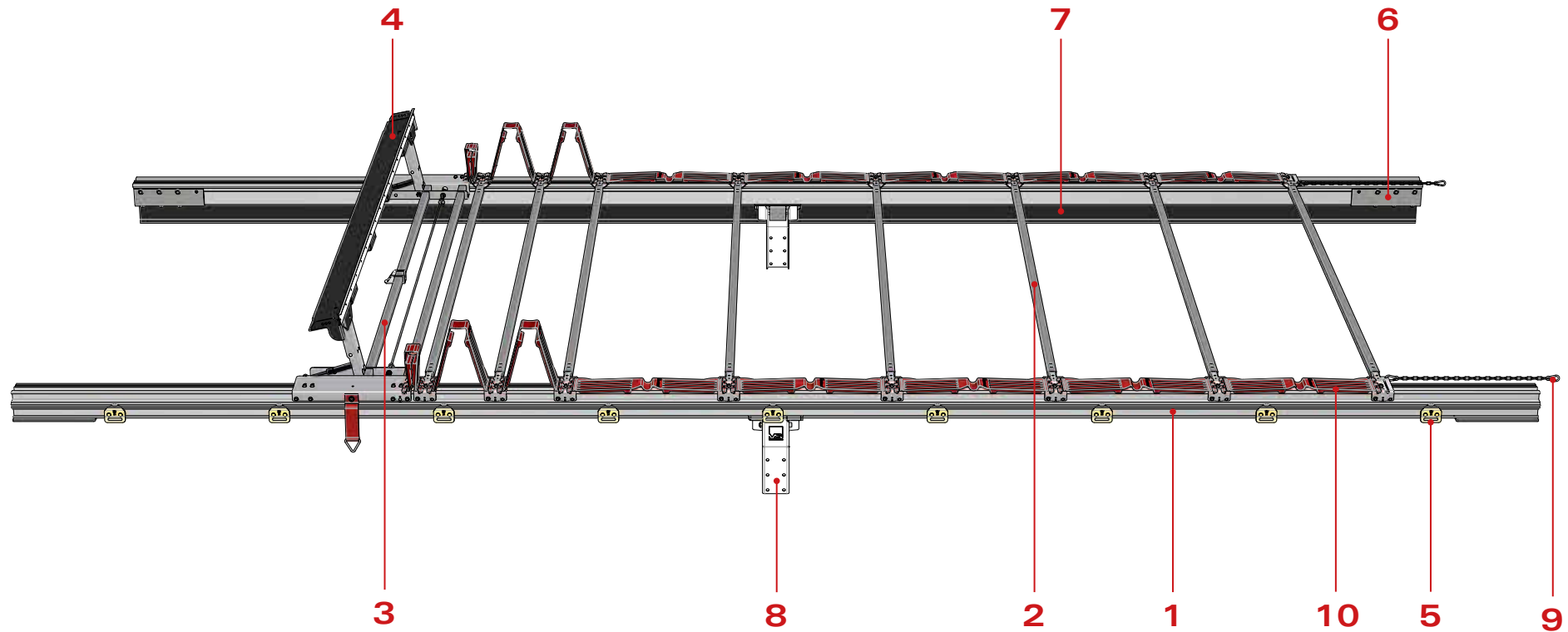
**Bolt tensilock M10x35mm**

**PART NR.**

**091-23002**



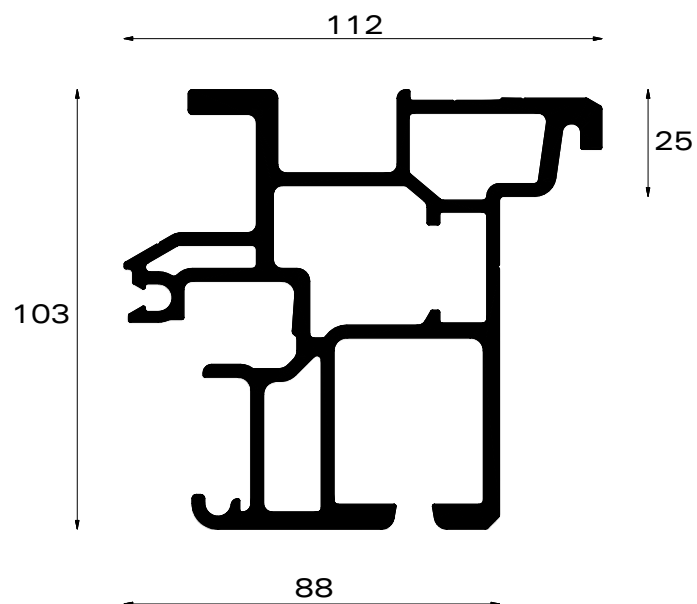




|          |                      |
|----------|----------------------|
| <b>1</b> | Kubus Trike rail     |
| <b>2</b> | Roof stick           |
| <b>3</b> | Collapsible backside |
| <b>4</b> | Back beam            |
| <b>5</b> | Trike roller         |
| <b>6</b> | Set mounting plates  |

|           |                 |
|-----------|-----------------|
| <b>7</b>  | PVC pelmet      |
| <b>8</b>  | Pillar bracket  |
| <b>9</b>  | Set accessories |
| <b>10</b> | Folding plate   |
| <b>11</b> | Carapax plate   |
| <b>12</b> | Pull bar        |

### 1 Kubus Trike rail



#### PART NR.

\* L = 9,8m    162-24980

\* L = 13,6m    162-24136

\* profile with pre-bending

$I_x : 233\text{cm}^4$

$I_y : 174\text{cm}^4$

$\pm 5,7 \text{ kg/m}$

### 2a Roof stick for sliding roof



#### PART NR.

SB=2550 - Type SP    224-01001

SB=2550 - Type AS (Al)    224-03001

### 2b Roof stick with anti-fly hook for sliding roof

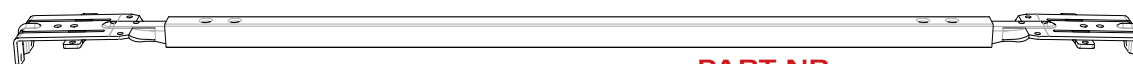


#### PART NR.

SB=2550 - Type SP    224-91001

SB=2550 - Type AS (Al)    224-93001

### 2c Roof stick for fixed roof with tarpaulin cover



#### PART NR.

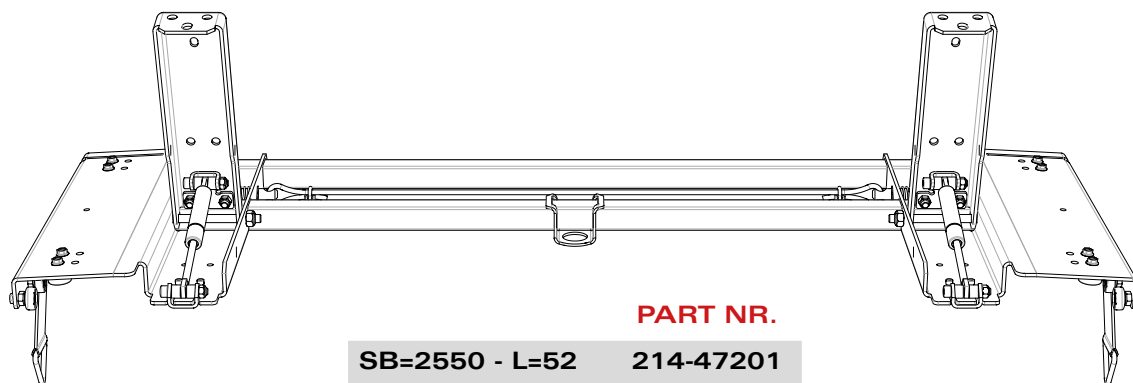


SB=2550 - Type SP    224-41201

SB=2550 - Type AS (Al)    224-43201

\* Roof stick riveted to rail with monobolts

**3a Collapsible backside**



**PART NR.**  
SB=2550 - L=52    214-47201

**3b Collapsible backside for fixed roof with tarpaulin cover**



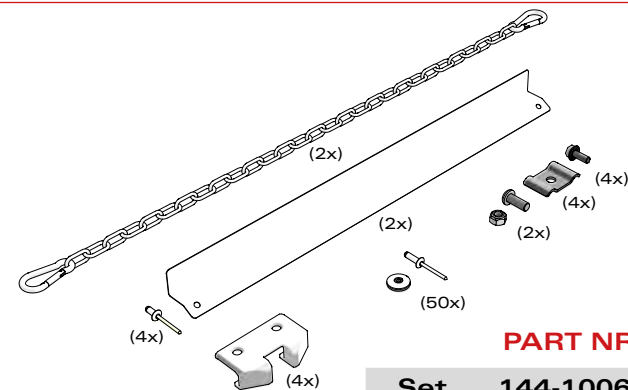
**PART NR.**  
SB=2550 - L=100    324-47001

**Front header**



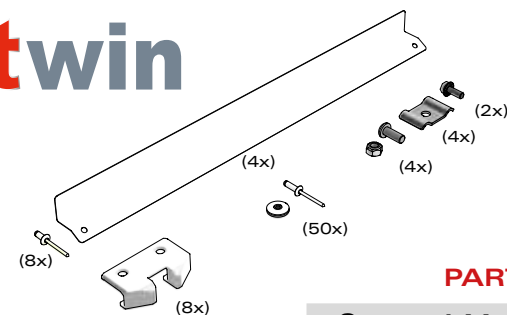
**PART NR.**  
SB=2550    234-21001

**9a Set accessories**



**PART NR.**  
Set    144-10067

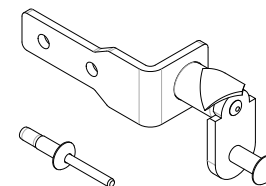
**9b Set accessories Twin**



**PART NR.**  
Set    144-10082

\* Kubus Trike Twin sliding roof: this set replaces the basic set accessories (144-10067)!

**9c Set lock collapsible backside**



**PART NR.**  
Set    144-10086

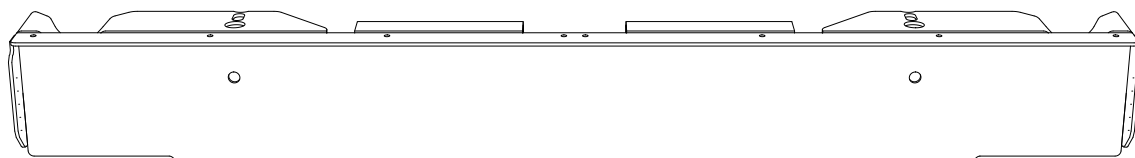
**9d Set accessories external unlocking**



**PART NR.**  
Set    144-10174

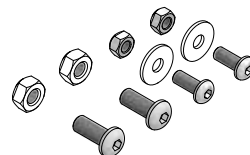


### 4a Back beam

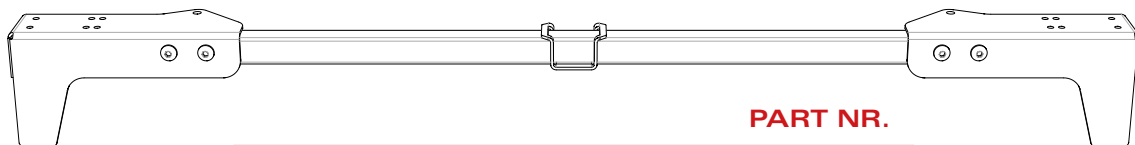


#### PART NR.

|                |           |
|----------------|-----------|
| SB=2550 - 125Z | 193-11001 |
| Mounting set   | 144-10022 |



### 4b Back beam



#### PART NR.

|                            |           |
|----------------------------|-----------|
| Set back beam tube 30x30mm | 144-10037 |
| Tube 30x30x2mm             | 112-07001 |

### Rain strip for back beam (4a)



#### PART NR.

|         |           |
|---------|-----------|
| SB=2550 | 192-01601 |
|---------|-----------|

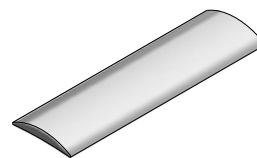
### Rain strip for front header



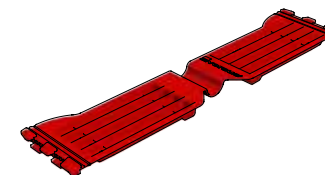
**ttwin**

#### PART NR.

|                                |           |
|--------------------------------|-----------|
| Rain strip SB=2550             | 192-01606 |
| PVC pelmet L = 2,6m (black)    | 242-20001 |
| Mounting strip 30x5mm L = 2,6m | 292-07001 |



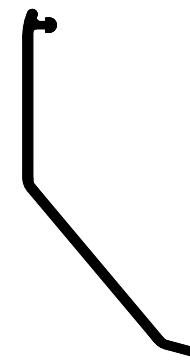
### 10 Folding plate



#### PART NR.

|          |           |
|----------|-----------|
| Type 400 | 242-01004 |
| Type 500 | 242-01005 |
| Type 600 | 242-01006 |
| Type 700 | 242-01007 |
| Type 570 | 242-01057 |
| Type 650 | 242-01065 |

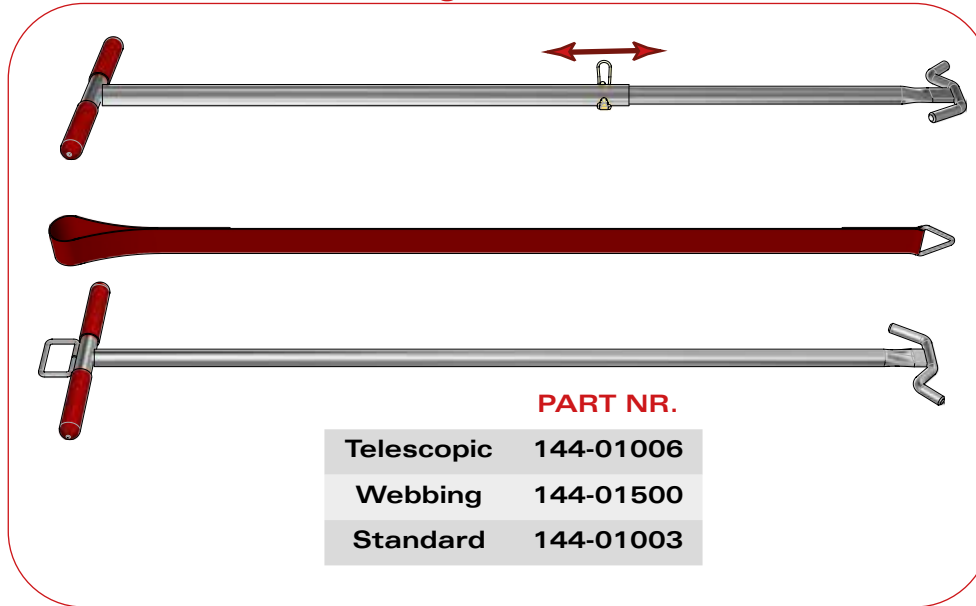
### 7 PVC pelmet (black)



#### PART NR.

|         |           |
|---------|-----------|
| L = 9m  | 242-12109 |
| L = 14m | 242-12114 |

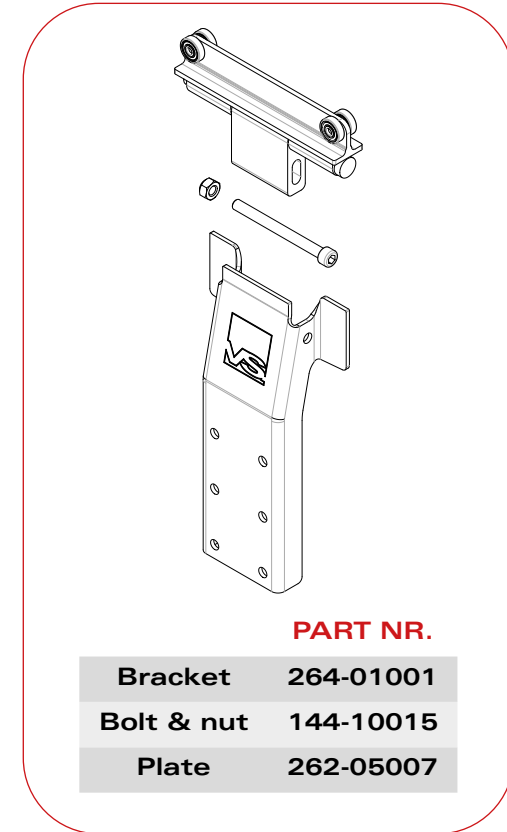
### 12 Pull bars & webbing



**PART NR.**

|            |           |
|------------|-----------|
| Telescopic | 144-01006 |
| Webbing    | 144-01500 |
| Standard   | 144-01003 |

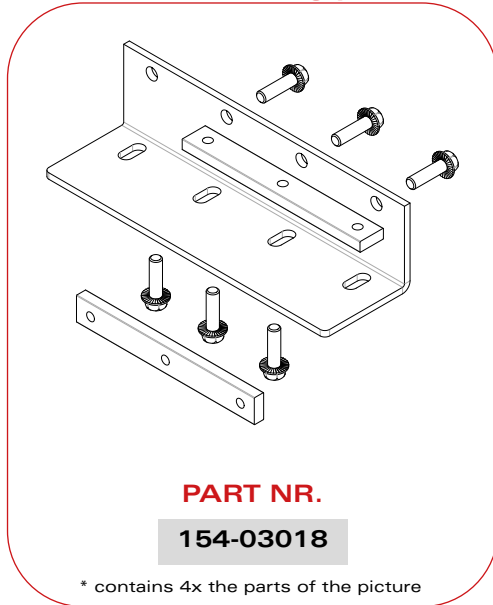
### 8 Pillar bracket



**PART NR.**

|            |           |
|------------|-----------|
| Bracket    | 264-01001 |
| Bolt & nut | 144-10015 |
| Plate      | 262-05007 |

### 6 Set mounting plates

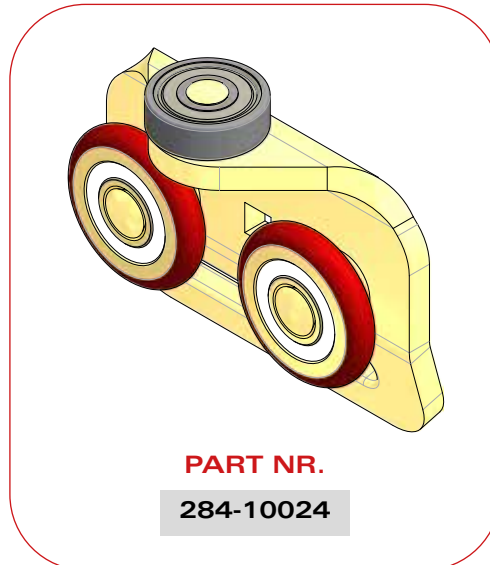


**PART NR.**

154-03018

\* contains 4x the parts of the picture

### 5 Trike roller



**PART NR.**

284-10024

### 11 Carapax plate

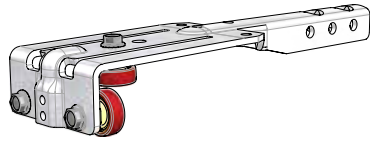


**PART NR.**

291-03004

\* only needed for roof with Carapax cover

## For roof sticks



**Assembled bracket**

**PART NR.**

174-02001



**Roller bearing plastic**

**PART NR.**

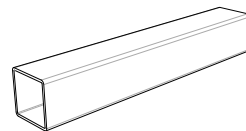
132-01001



**Bolt tensilock M6x16mm**

**PART NR.**

091-23001

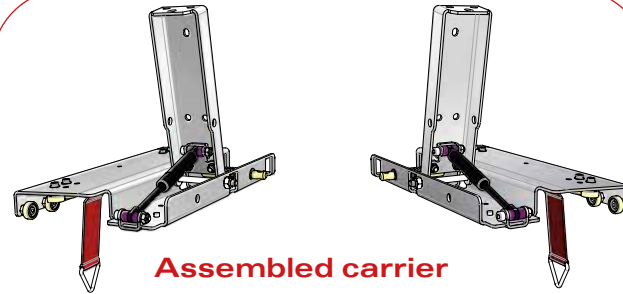


**Tube 30x30x1,5mm**

**PART NR.**

L = 2185mm 112-01003

## For collapsible backside

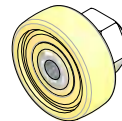


**Assembled carrier**

**PART NR.**

Left 204-47201

Right 204-47202



**Roller bearing steel**

**PART NR.**

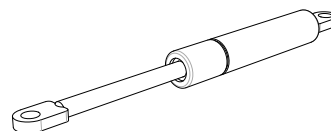
132-03001



**Bolt tensilock M6x16mm**

**PART NR.**

091-23001

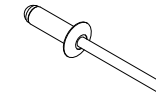


**Gas spring 700N**

**PART NR.**

302-01001

## For accessories set



**Rivet & washer**

**PART NR.**

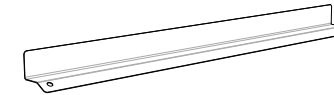
50 pieces 144-10003



**Rope clamp**

**PART NR.**

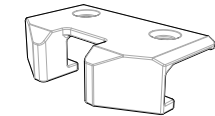
292-01001



**Protection plate**

**PART NR.**

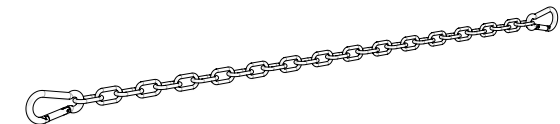
142-06006



**Locking nose**

**PART NR.**

142-05020

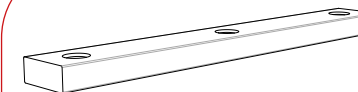


**Chain with 2 hooks**

**PART NR.**

142-07001

## For mounting set



**Mounting block**

**PART NR.**

152-02001



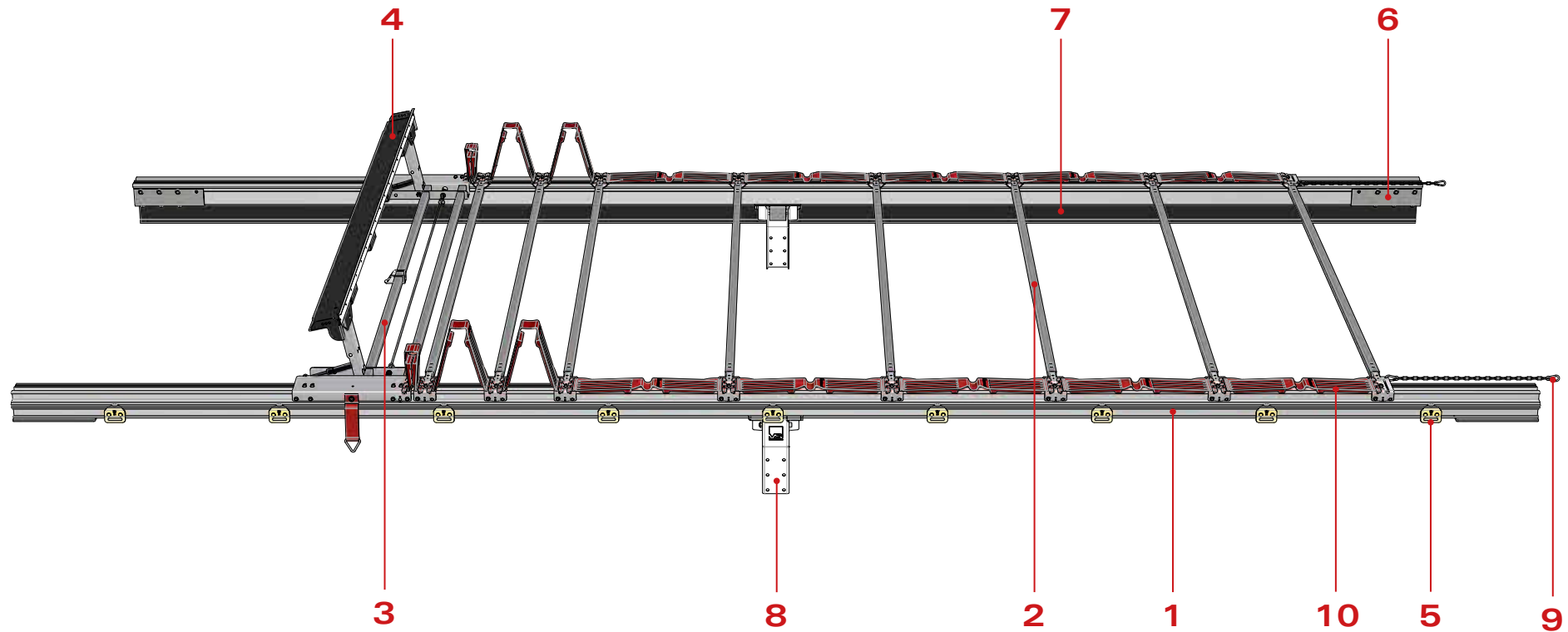
**Bolt tensilock  
M10x35mm**

**PART NR.**

091-23002



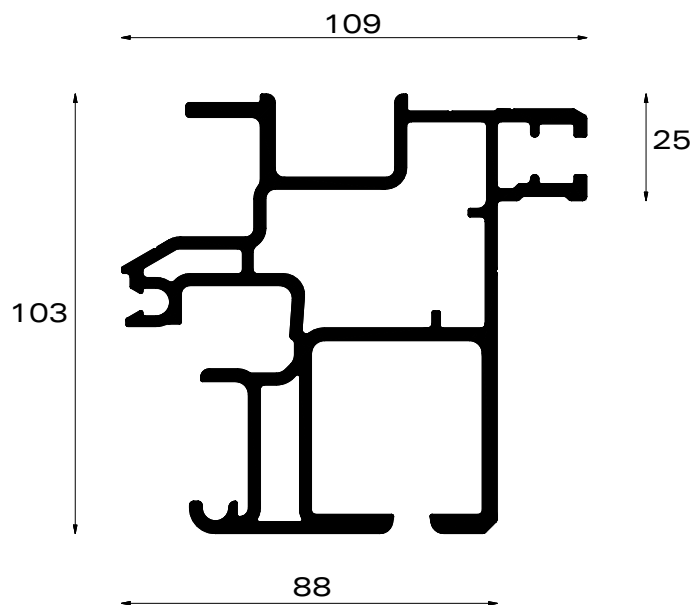




|          |                        |
|----------|------------------------|
| <b>1</b> | Kubus Trike Light rail |
| <b>2</b> | Roof stick             |
| <b>3</b> | Collapsible backside   |
| <b>4</b> | Back beam              |
| <b>5</b> | Trike roller           |
| <b>6</b> | Set mounting plates    |

|           |                 |
|-----------|-----------------|
| <b>7</b>  | PVC pelmet      |
| <b>8</b>  | Pillar bracket  |
| <b>9</b>  | Set accessories |
| <b>10</b> | Folding plate   |
| <b>11</b> | Carapax plate   |
| <b>12</b> | Pull bar        |

### 1 Kubus Trike Light rail



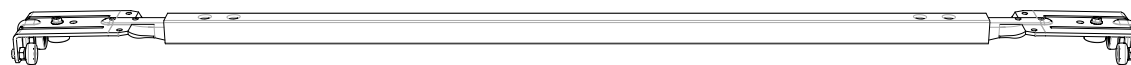
#### PART NR.

L = 7,8m 162-25780

L = 8,5m 162-25850

$I_x : 188\text{cm}^4$   
 $I_y : 145\text{cm}^4$   
 $\pm 4,8 \text{ kg/m}$

### 2a Roof stick for sliding roof



#### PART NR.

SB=2550 - Type SP 224-01001

SB=2550 - Type AS (Al) 224-03001

### 2b Roof stick for fixed roof with polyester cover

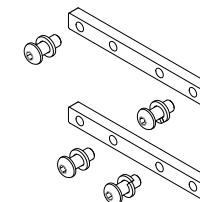


#### PART NR.

SB=2550 - Type SP 224-41101

SB=2550 - Type AS (Al) 224-43101

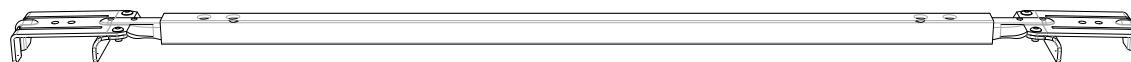
Mounting set roof stick fix 144-10048



\* Roof stick screwed to rail with bolts

\* 1 set/roof stick

### 2c Roof Stick for fixed roof with tarpaulin cover

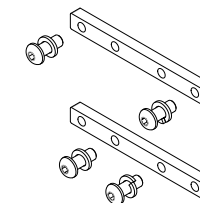


#### PART NR.

SB=2550 - Type SP 224-41211

SB=2550 - Type AS (Al) 224-43211

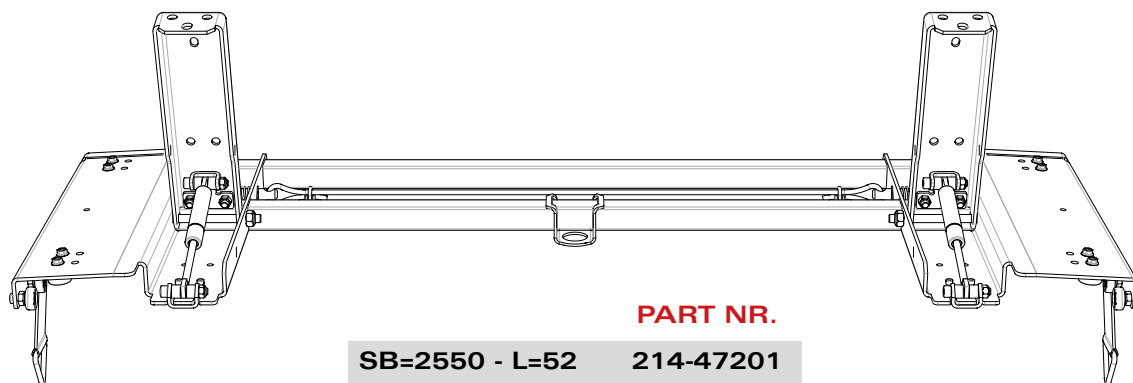
Mounting set roof stick fix 144-10048



\* Roof stick screwed to rail with bolts

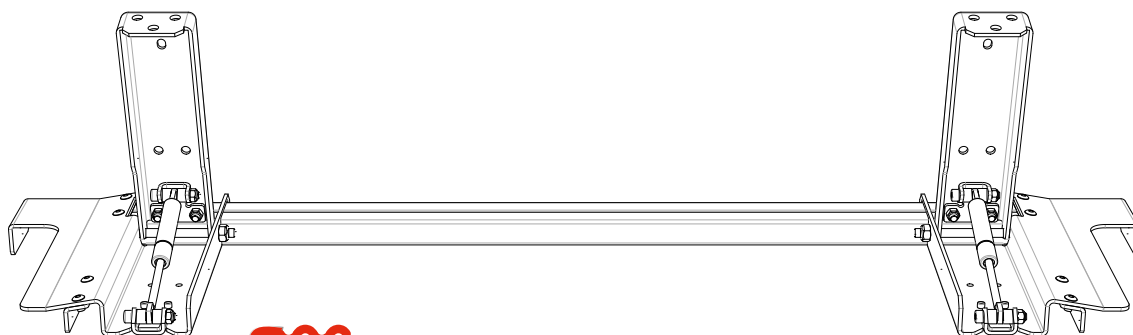
\* 1 set/roof stick

**3a Collapsible backside**



**PART NR.**  
SB=2550 - L=52    214-47201

**3b Collapsible backside for fixed roof with tarpaulin cover**



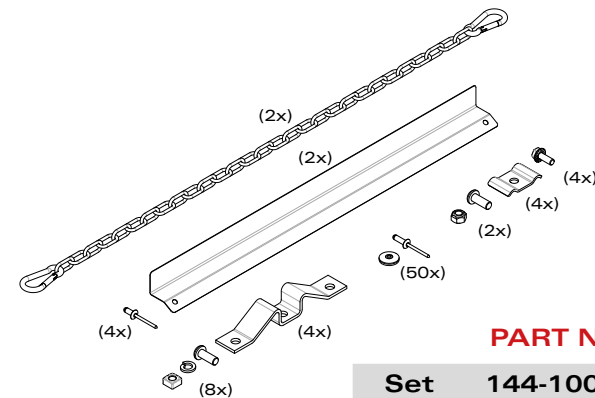
**PART NR.**  
SB=2550 - L=100    324-47201

**Front header**



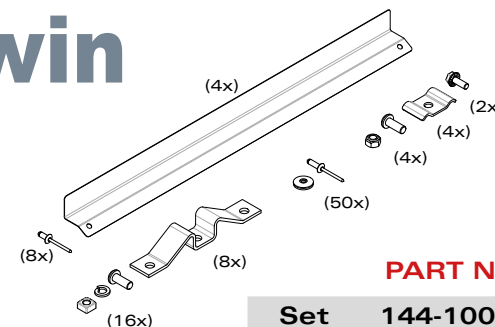
**PART NR.**  
SB=2550    234-21001

**9a Set accessories**



**PART NR.**  
Set    144-10001

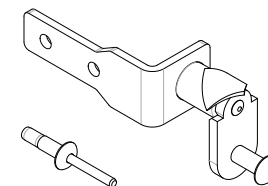
**9b Set accessories Twin**



**PART NR.**  
Set    144-10018

\* Kubus Trike Light Twin sliding roof: this set replaces the basic set accessories (144-10001)!

**9c Set lock collapsible backside**



**PART NR.**  
Set    144-10086

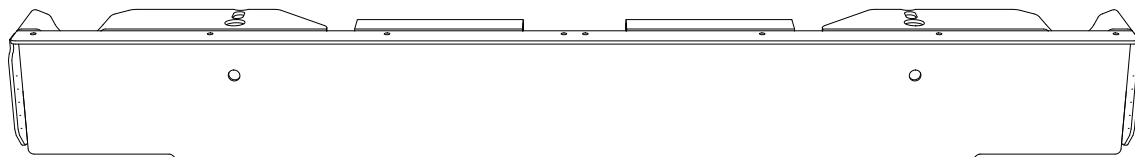
**9d Set accessories external unlocking**



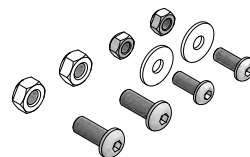
**PART NR.**  
Set    144-10174



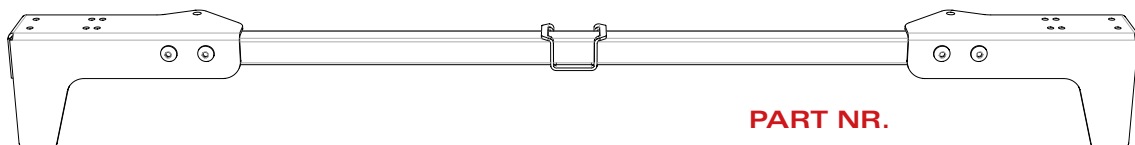
**4a Back beam**



|                | <b>PART NR.</b> |
|----------------|-----------------|
| SB=2550 - 125Z | 193-11001       |
| Mounting set   | 144-10022       |



**4b Back beam**



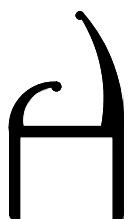
|                            | <b>PART NR.</b> |
|----------------------------|-----------------|
| Set back beam tube 30x30mm | 144-10037       |
| Tube 30x30x2mm             | 112-07001       |

**Rain strip for back beam (4a)**



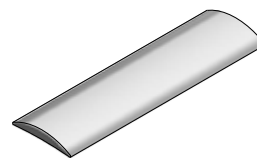
|         | <b>PART NR.</b> |
|---------|-----------------|
| SB=2550 | 192-01601       |

**Rain strip for front header**

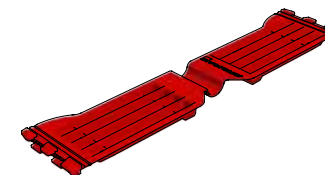


**ttwin**

|                               | <b>PART NR.</b> |
|-------------------------------|-----------------|
| Rain strip SB=2550            | 192-01606       |
| PVC pelmet L = 2,6m (black)   | 242-20001       |
| Mounting strip 30x5mm L= 2,6m | 292-07001       |

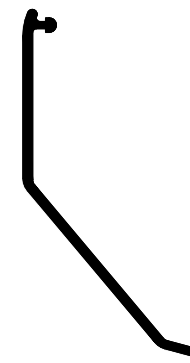


**10 Folding plate**



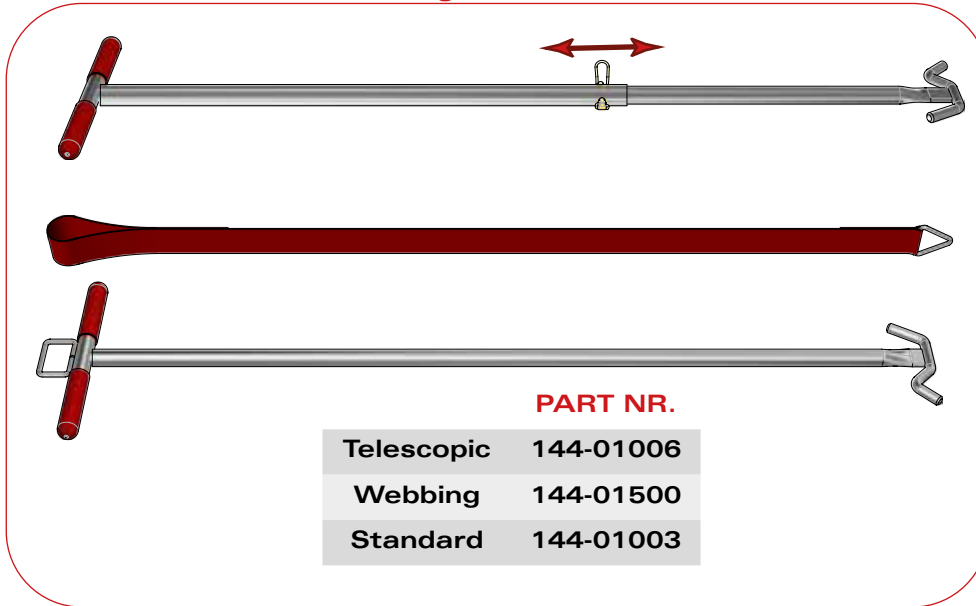
|          | <b>PART NR.</b> |
|----------|-----------------|
| Type 400 | 242-01004       |
| Type 500 | 242-01005       |
| Type 600 | 242-01006       |
| Type 700 | 242-01007       |
| Type 570 | 242-01057       |
| Type 650 | 242-01065       |

**7 PVC pelmet (black)**



|         | <b>PART NR.</b> |
|---------|-----------------|
| L = 9m  | 242-12109       |
| L = 14m | 242-12114       |

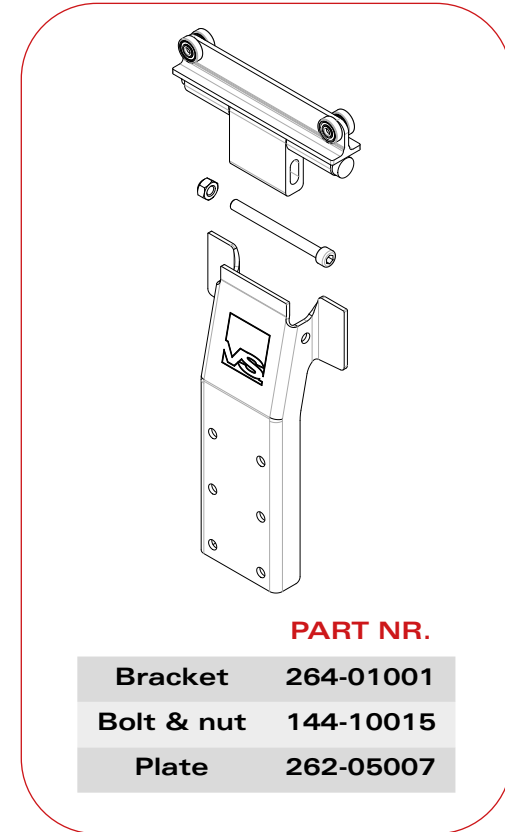
**12 Pull bars & webbing**



**PART NR.**

|            |           |
|------------|-----------|
| Telescopic | 144-01006 |
| Webbing    | 144-01500 |
| Standard   | 144-01003 |

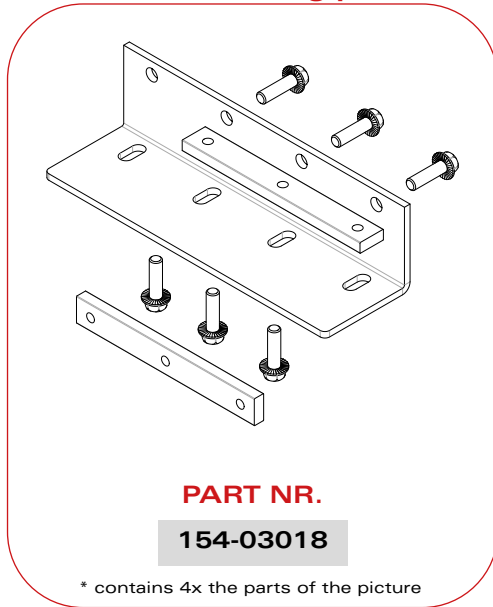
**8 Pillar bracket**



**PART NR.**

|            |           |
|------------|-----------|
| Bracket    | 264-01001 |
| Bolt & nut | 144-10015 |
| Plate      | 262-05007 |

**6 Set mounting plates**

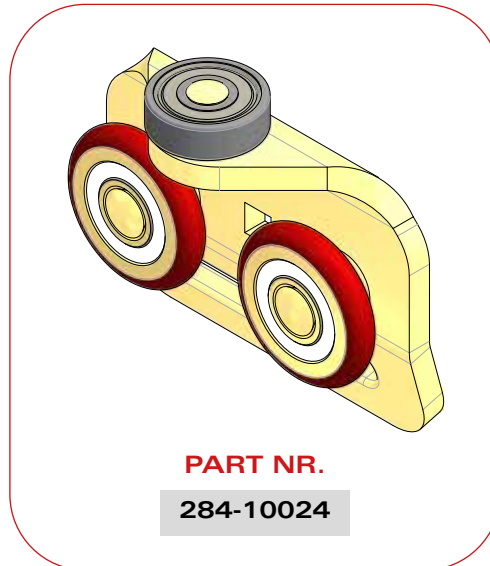


**PART NR.**

**154-03018**

\* contains 4x the parts of the picture

**5 Trike roller**



**PART NR.**

**284-10024**

**11 Carapax plate**

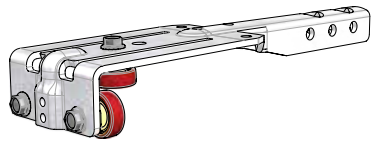


**PART NR.**

**291-03004**

\* only needed for roof with Carapax cover

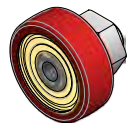
## For roof sticks



**Assembled bracket**

**PART NR.**

**174-02001**



**Roller bearing plastic**

**PART NR.**

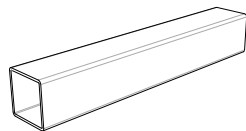
**132-01001**



**Bolt tensilock M6x16mm**

**PART NR.**

**091-23001**

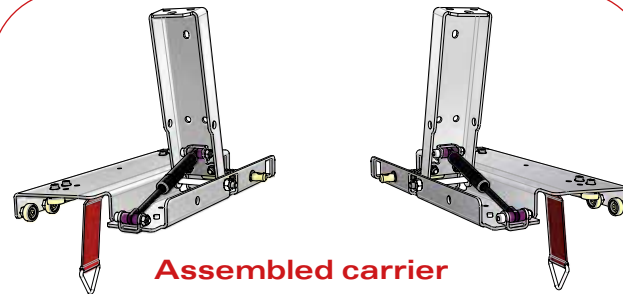


**Tube 30x30x1,5mm**

**PART NR.**

**L = 2185mm 112-01003**

## For collapsible backside

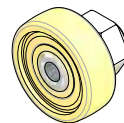


**Assembled carrier**

**PART NR.**

**Left 204-47201**

**Right 204-47202**



**Roller bearing steel**

**PART NR.**

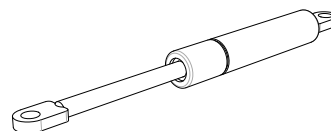
**132-03001**



**Bolt tensilock M6x16mm**

**PART NR.**

**091-23001**

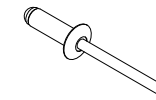


**Gas spring 700N**

**PART NR.**

**302-01001**

## For accessories set



**Rivet & washer**

**PART NR.**

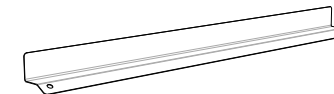
**50 pieces 144-10003**



**Rope clamp**

**PART NR.**

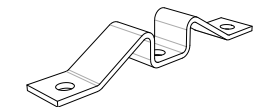
**292-01001**



**Protection plate**

**PART NR.**

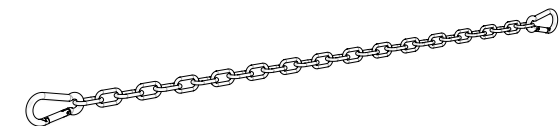
**142-06006**



**Locking nose**

**PART NR.**

**142-05002**

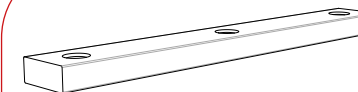


**Chain with 2 hooks**

**PART NR.**

**142-07001**

## For mounting set



**Mounting block**

**PART NR.**

**152-02001**



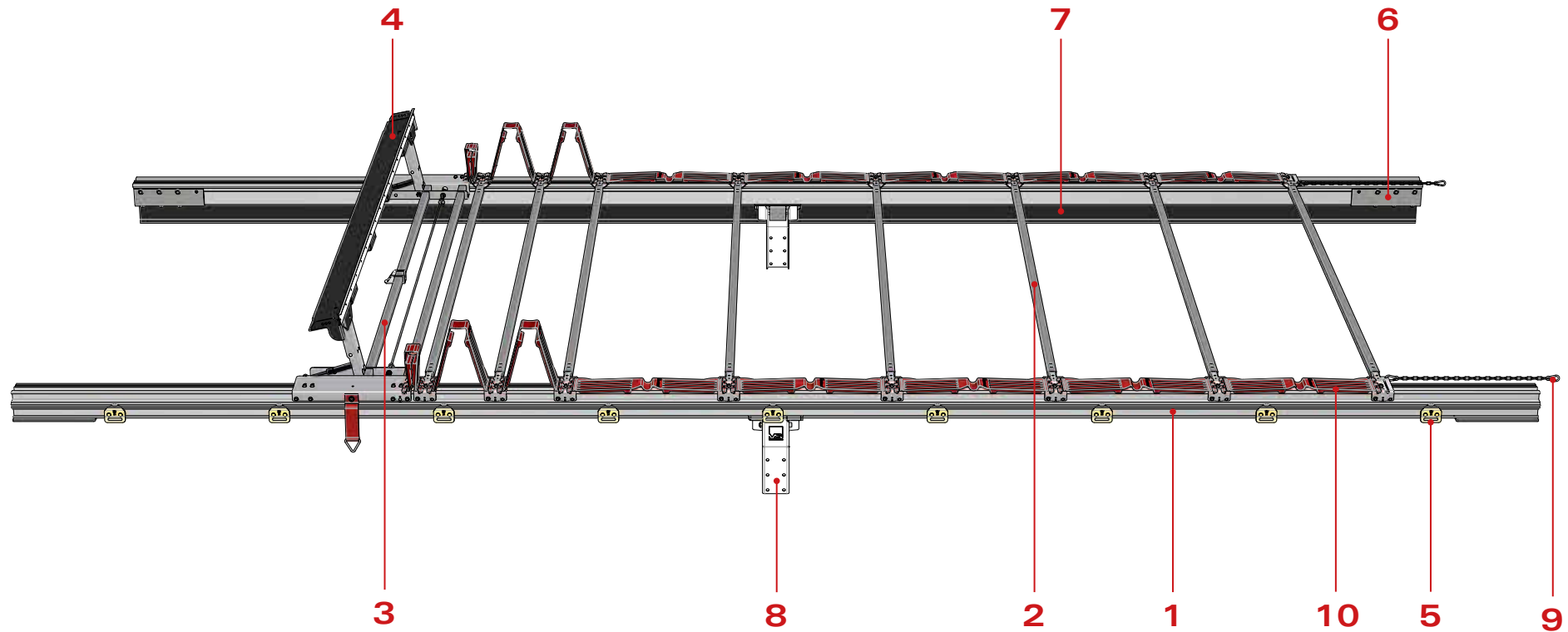
**Bolt tensilock  
M10x35mm**

**PART NR.**

**091-23002**



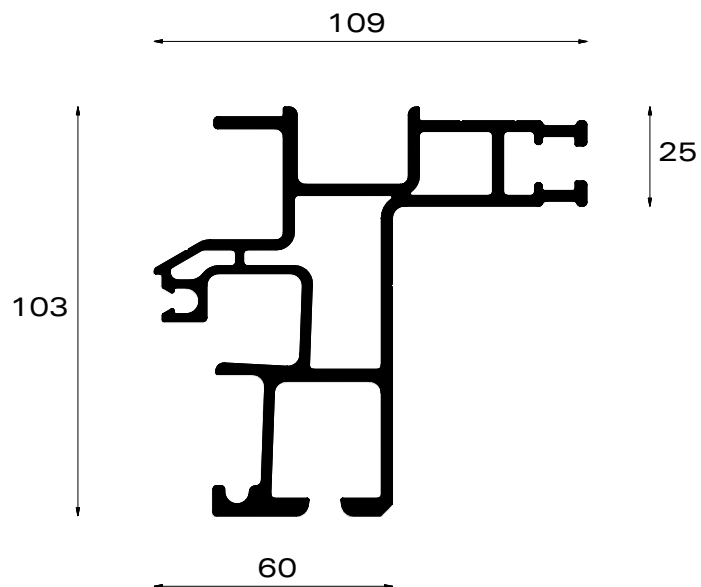




|          |                      |
|----------|----------------------|
| <b>1</b> | Micro Trike rail     |
| <b>2</b> | Roof stick           |
| <b>3</b> | Collapsible backside |
| <b>4</b> | Back beam            |
| <b>5</b> | Trike roller         |
| <b>6</b> | Set mounting plates  |

|           |                 |
|-----------|-----------------|
| <b>7</b>  | PVC pelmet      |
| <b>8</b>  | Pillar bracket  |
| <b>9</b>  | Set accessories |
| <b>10</b> | Folding plate   |
| <b>11</b> | Carapax plate   |
| <b>12</b> | Pull bar        |

### 1 Micro Trike rail



#### PART NR.

L = 4,5m 162-34450

L = 7,8m\* 162-34780

L = 8,5m\* 162-34850

$I_x : 149\text{cm}^4$   
 $I_y : 104\text{cm}^4$   
 $\pm 4 \text{ kg/m}$

\* pre-bended

### 2a Roof stick for sliding roof



#### PART NR.

SB=2550 - Type SP 224-01001

SB=2550 - Type AS (Al) 224-03001

### 2b Roof stick for fixed roof with polyester cover

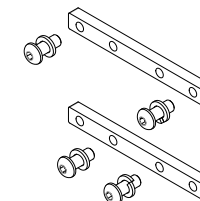


#### PART NR.

SB=2550 - Type SP 224-41101

SB=2550 - Type AS (Al) 224-43101

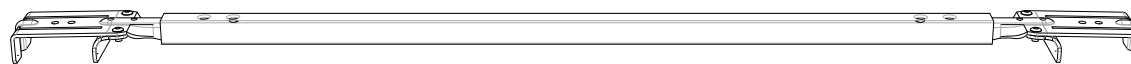
Mounting set roof stick fix 144-10048



\* Roof stick screwed to rail with bolts

\* 1 set/roof stick

### 2c Roof Stick for fixed roof with tarpaulin cover

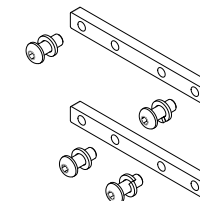


#### PART NR.

SB=2550 - Type SP 224-41211

SB=2550 - Type AS (Al) 224-43211

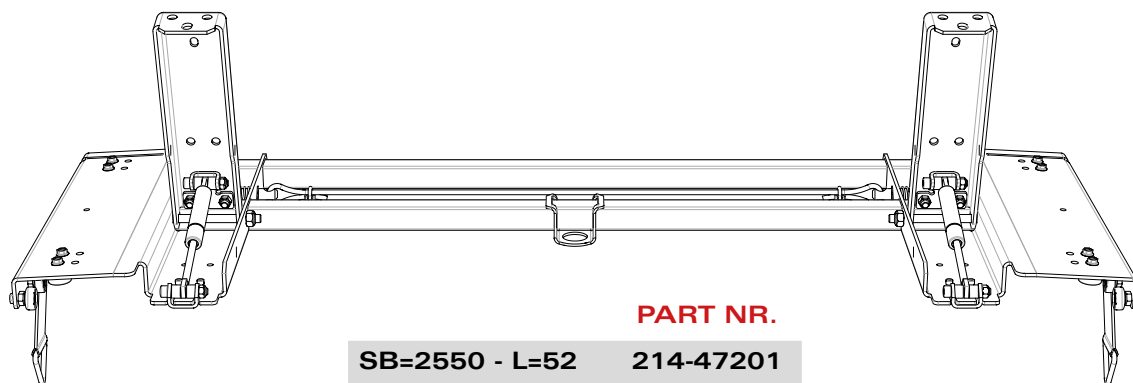
Mounting set roof stick fix 144-10048



\* Roof stick screwed to rail with bolts

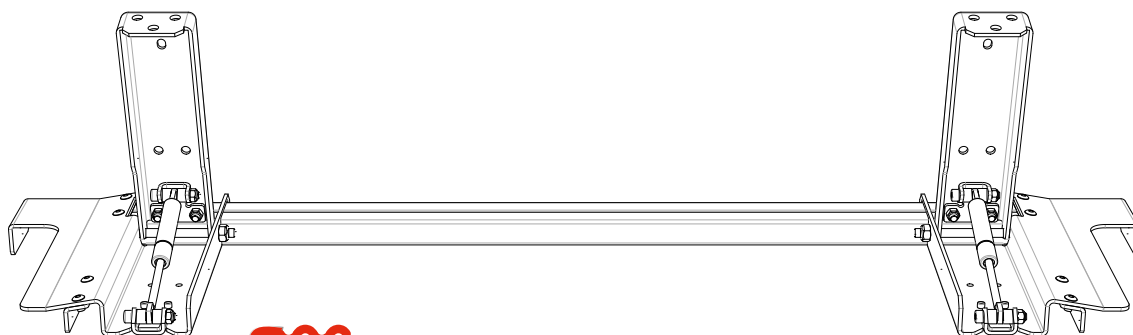
\* 1 set/roof stick

**3a Collapsible backside**



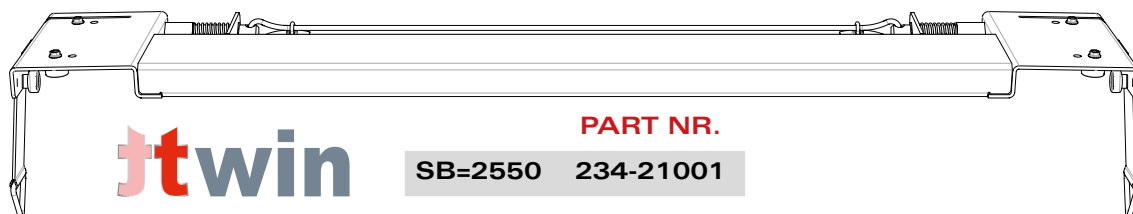
**PART NR.**  
SB=2550 - L=52    214-47201

**3b Collapsible backside for fixed roof with tarpaulin cover**



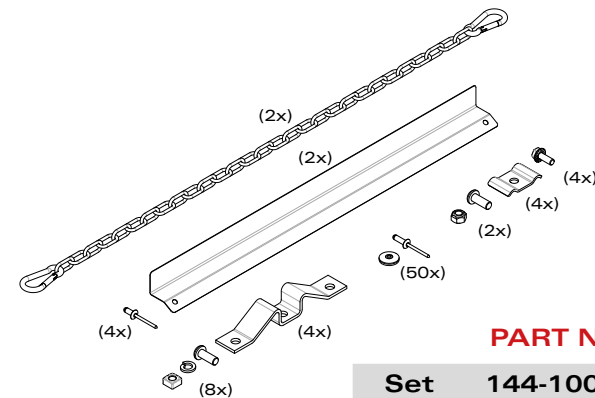
**PART NR.**  
SB=2550 - L=100    324-47201

**Front header**



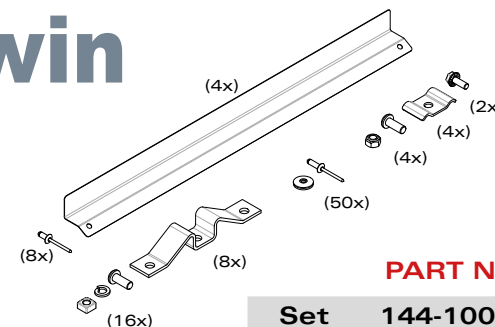
**PART NR.**  
SB=2550    234-21001

**9a Set accessories**



**PART NR.**  
Set    144-10001

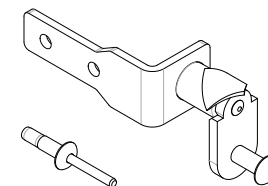
**9b Set accessories Twin**



**PART NR.**  
Set    144-10018

\* Micro Trike Twin sliding roof: this set replaces the basic set accessories (144-10001)!

**9c Set lock collapsible backside**



**PART NR.**  
Set    144-10086

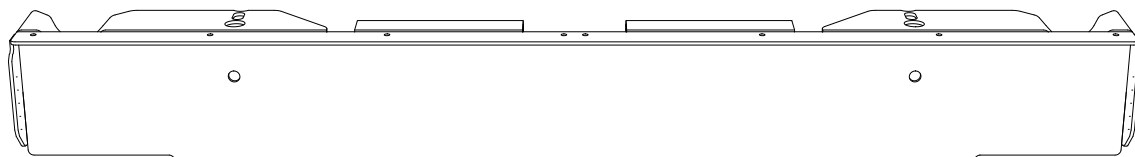
**9d Set accessories external unlocking**



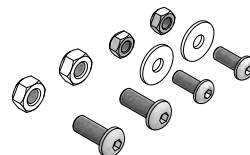
**PART NR.**  
Set    144-10174



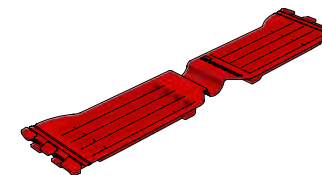
### 4a Back beam



| PART NR.       |           |
|----------------|-----------|
| SB=2550 - 125Z | 193-11001 |
| Mounting set   | 144-10022 |

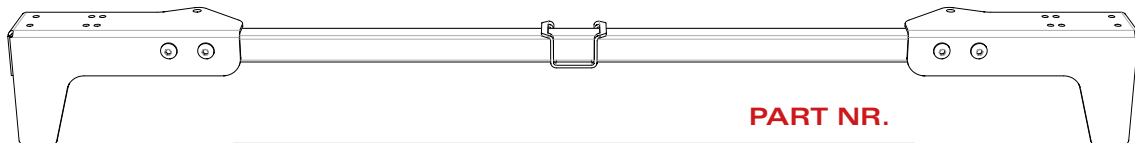


### 10 Folding plate



| PART NR. |           |
|----------|-----------|
| Type 400 | 242-01004 |
| Type 500 | 242-01005 |
| Type 600 | 242-01006 |
| Type 700 | 242-01007 |
| Type 570 | 242-01057 |
| Type 650 | 242-01065 |

### 4b Back beam



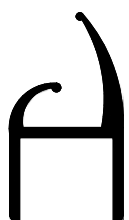
| PART NR.                   |           |
|----------------------------|-----------|
| Set back beam tube 30x30mm | 144-10037 |
| Tube 30x30x2mm             | 112-07001 |

### Rain strip for back beam (4a)



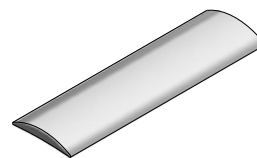
| PART NR. |           |
|----------|-----------|
| SB=2550  | 192-01601 |

### Rain strip for front header

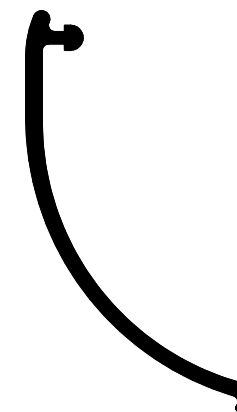


**ttwin**

| PART NR.                      |           |
|-------------------------------|-----------|
| Rain strip SB=2550            | 192-01606 |
| PVC pelmet L = 2,6m (black)   | 242-20001 |
| Mounting strip 30x5mm L= 2,6m | 292-07001 |

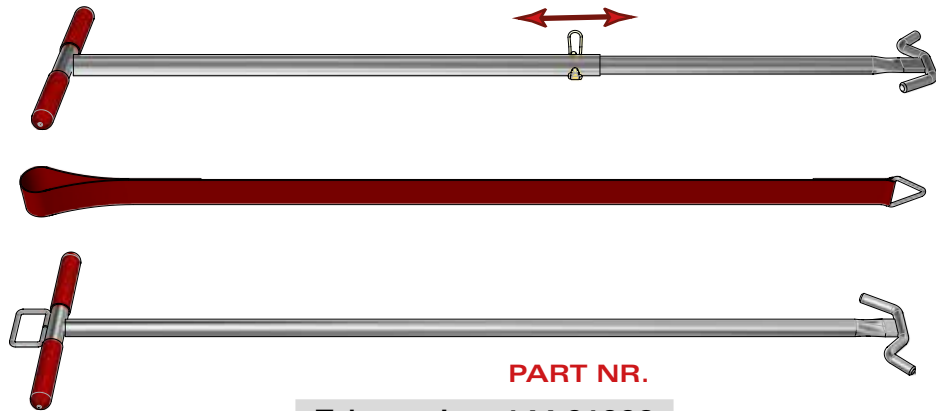


### 7 PVC pelmet (black)



| PART NR. |           |
|----------|-----------|
| L = 9m   | 242-15109 |
| L = 14m  | 242-15114 |

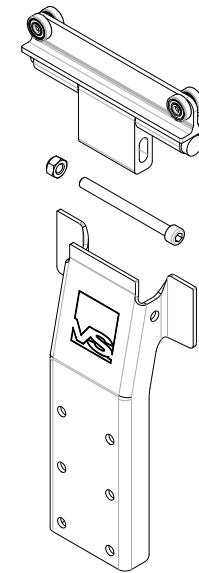
### 12 Pull bars & webbing



**PART NR.**

|            |           |
|------------|-----------|
| Telescopic | 144-01006 |
| Webbing    | 144-01500 |
| Standard   | 144-01003 |

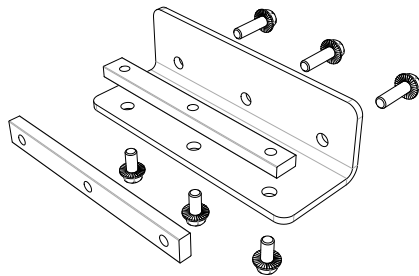
### 8 Pillar bracket



**PART NR.**

|            |           |
|------------|-----------|
| Bracket    | 264-01001 |
| Bolt & nut | 144-10015 |
| Plate      | 262-05007 |

### 6 Set mounting plates

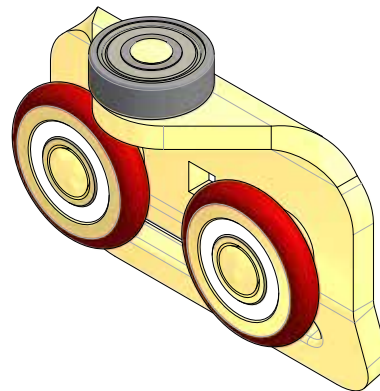


**PART NR.**

154-03041

\* contains 4x the parts of the picture

### 5 Trike roller



**PART NR.**

284-10024

### 11 Carapax plate

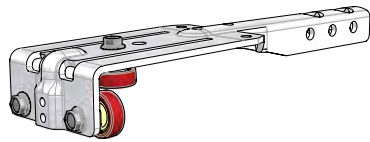


**PART NR.**

291-03004

\* only needed for roof with Carapax cover

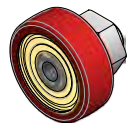
## For roof sticks



**Assembled bracket**

**PART NR.**

**174-02001**



**Roller bearing plastic**

**PART NR.**

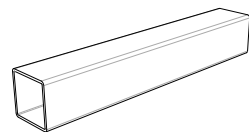
**132-01001**



**Bolt tensilock M6x16mm**

**PART NR.**

**091-23001**

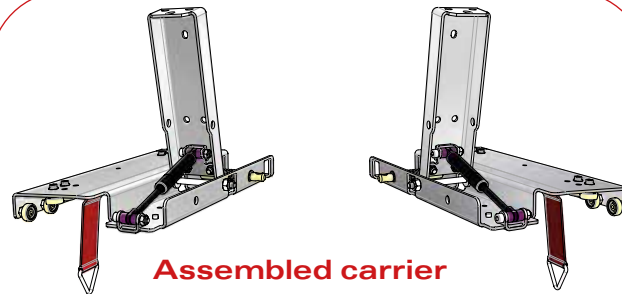


**Tube 30x30x1,5mm**

**PART NR.**

**L = 2185mm 112-01003**

## For collapsible backside

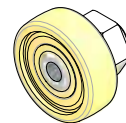


**Assembled carrier**

**PART NR.**

**Left 204-47201**

**Right 204-47202**



**Roller bearing steel**

**PART NR.**

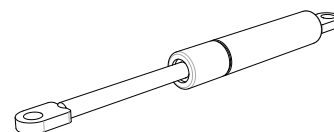
**132-03001**



**Bolt tensilock M6x16mm**

**PART NR.**

**091-23001**

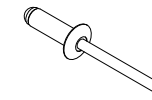


**Gas spring 700N**

**PART NR.**

**302-01001**

## For accessories set



**Rivet & washer**

**PART NR.**

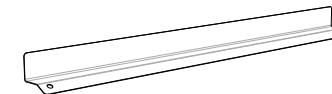
**50 pieces 144-10003**



**Rope clamp**

**PART NR.**

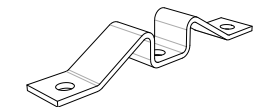
**292-01001**



**Protection plate**

**PART NR.**

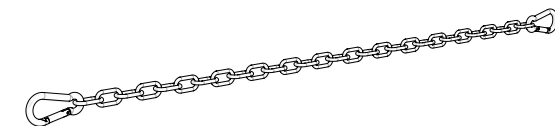
**142-06006**



**Locking nose**

**PART NR.**

**142-05002**

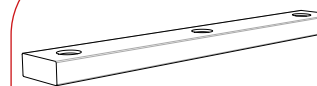


**Chain with 2 hooks**

**PART NR.**

**142-07001**

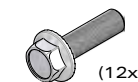
## For mounting set



**Mounting block**

**PART NR.**

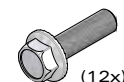
**152-02001**



**Bolt tensilock M10x20mm**

**PART NR.**

**091-23004**



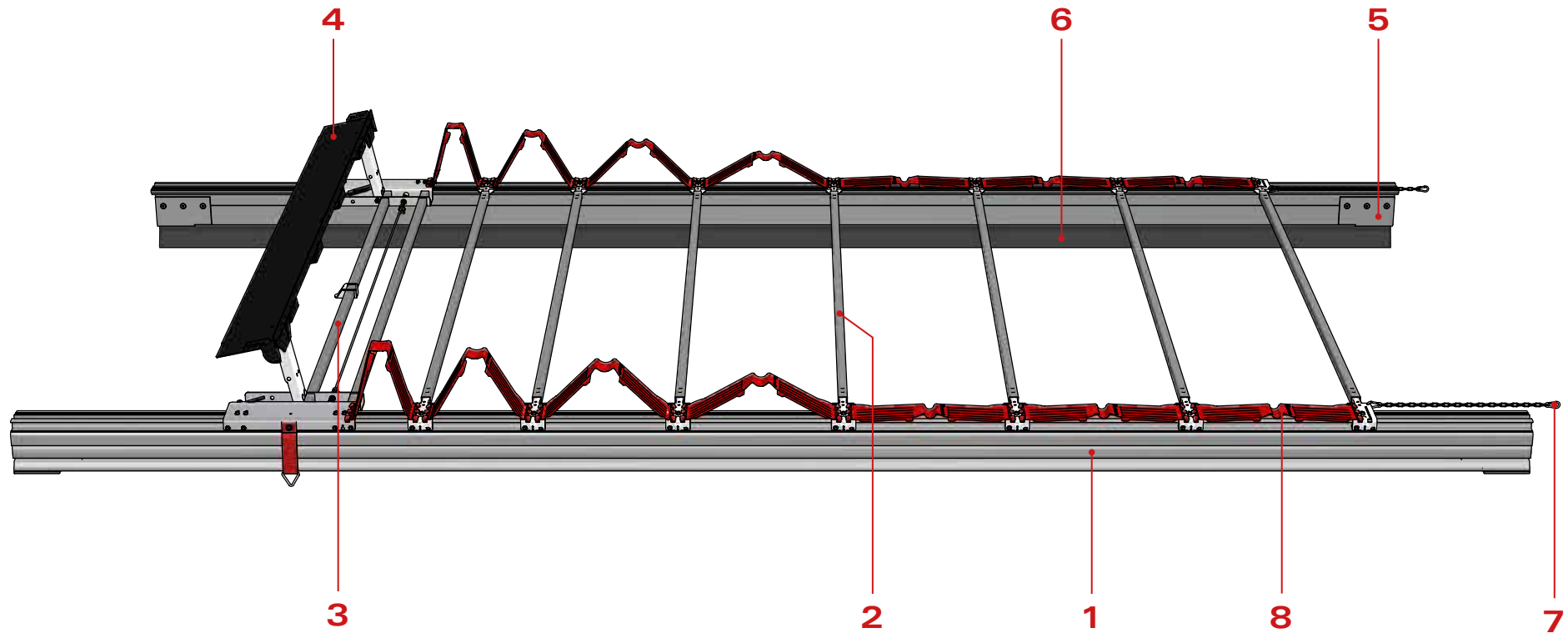
**Bolt tensilock M10x35mm**

**PART NR.**

**091-23002**



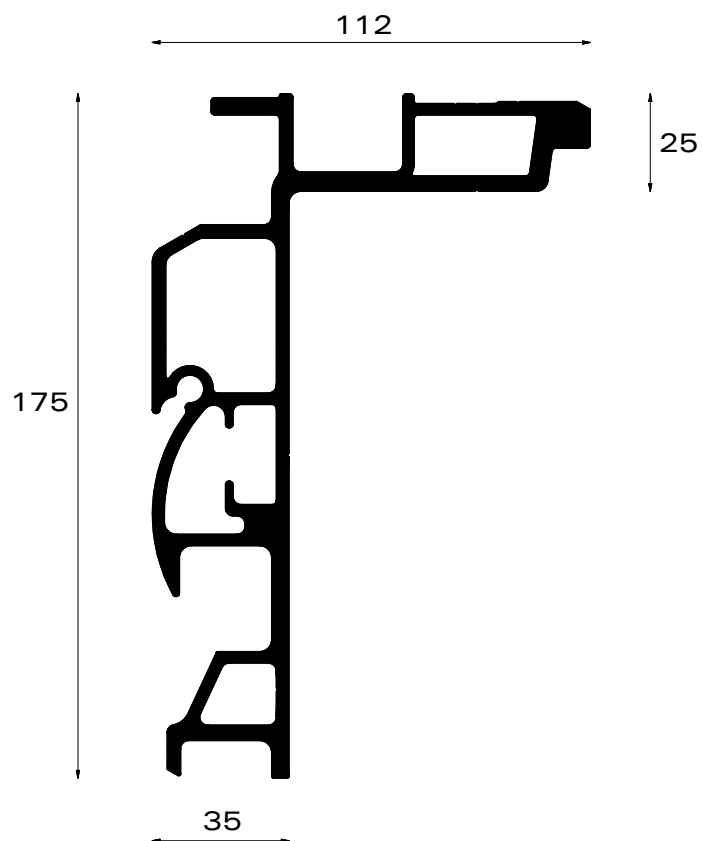




|          |                      |            |                 |
|----------|----------------------|------------|-----------------|
| <b>1</b> | Alto Penta rail      | <b>6</b>   | PVC pelmet      |
| <b>2</b> | Roof stick           | <b>7</b>   | Set accessories |
| <b>3</b> | Collapsible backside | <b>8</b>   | Folding plate   |
| <b>4</b> | Back beam            | <b>9*</b>  | Carapax plate   |
| <b>5</b> | Set mounting plates  | <b>10*</b> | Pull bar        |

\* Not visible on the composition drawing above.

### 1 Alto Penta rail



#### PART NR.

L = 7,8m 162-37780

L = 8,5m 162-37850

\* L = 13,6m 162-37136

\* profile with pre-bending & milling

$I_x : 711\text{cm}^4$

$I_y : 213\text{cm}^4$

$\pm 6,1 \text{ kg/m}$

### 2a Roof stick for sliding roof

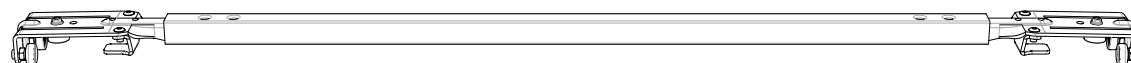


#### PART NR.

SB=2550 - Type SP 224-01001

SB=2550 - Type AS (Al) 224-03001

### 2b Roof stick with anti-fly hook for sliding roof

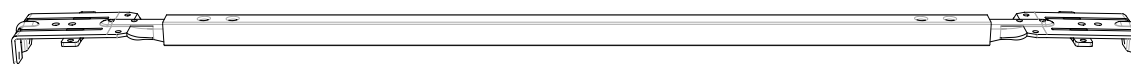


#### PART NR.

SB=2550 - Type SP 224-91001

SB=2550 - Type AS (Al) 224-93001

### 2c Roof Stick for fixed roof with tarpaulin cover



#### PART NR.

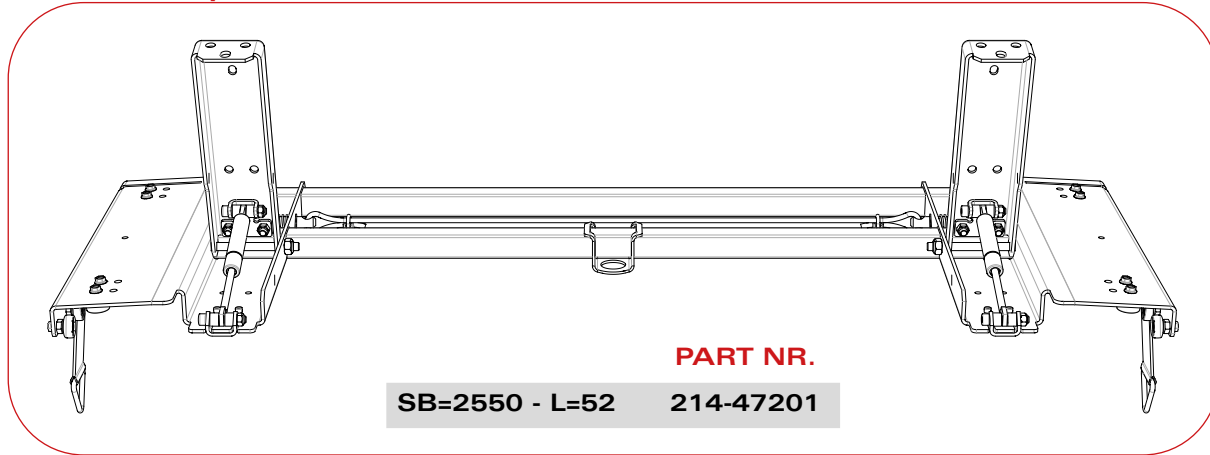
SB=2550 - Type SP 224-41201

SB=2550 - Type AS (Al) 224-43201

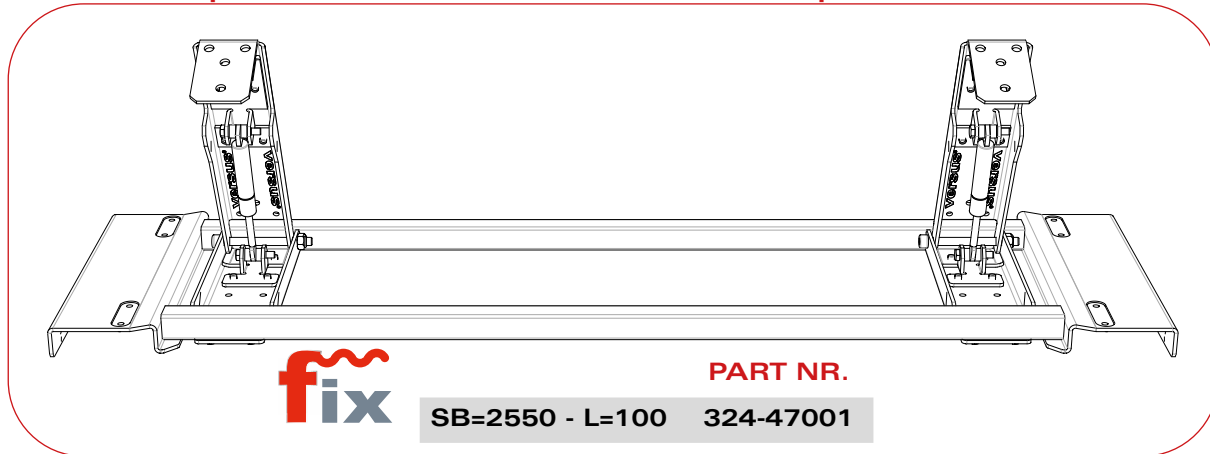


\* Roof stick riveted to rail with monobolts

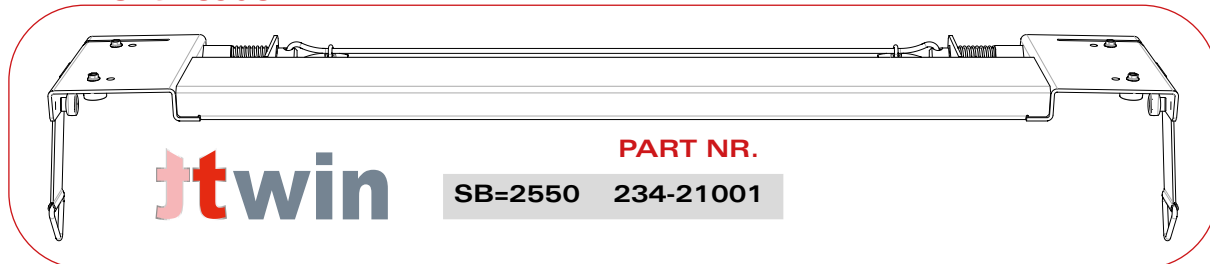
**3a Collapsible backside**



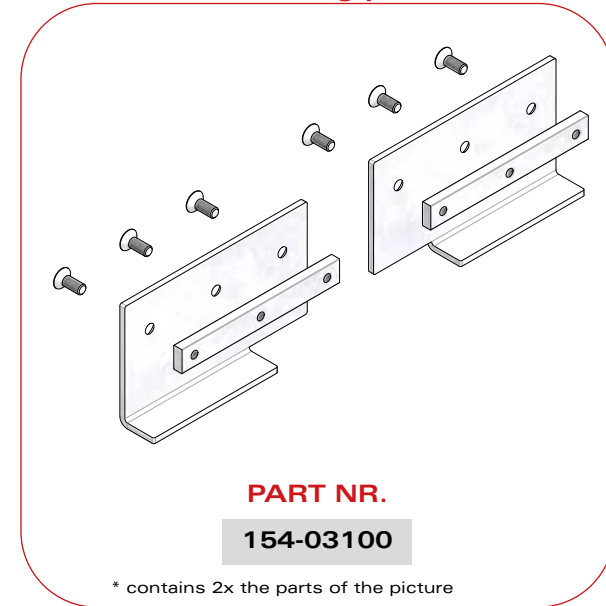
**3b Collapsible backside for fixed roof with tarpaulin cover**



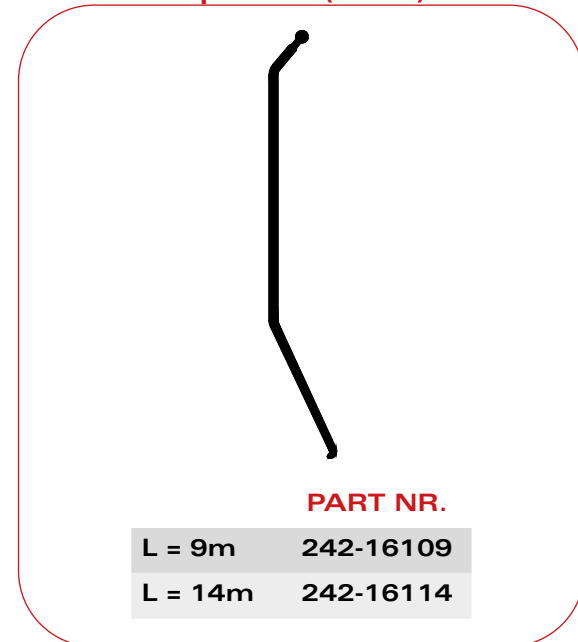
**Front header**



**5 Set mounting plates**

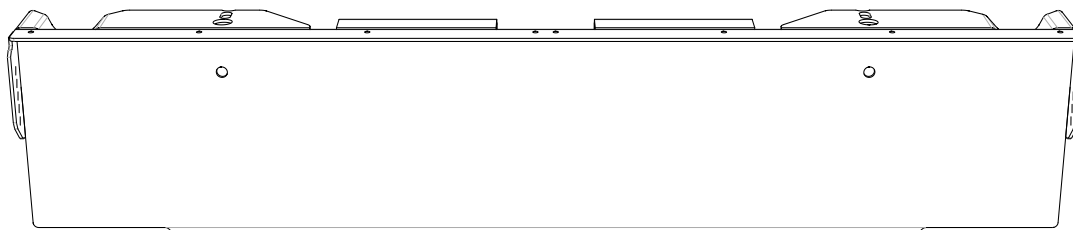


**6 PVC pelmet (black)**



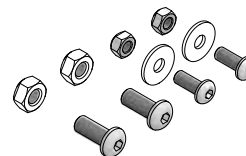


### 4a Back beam

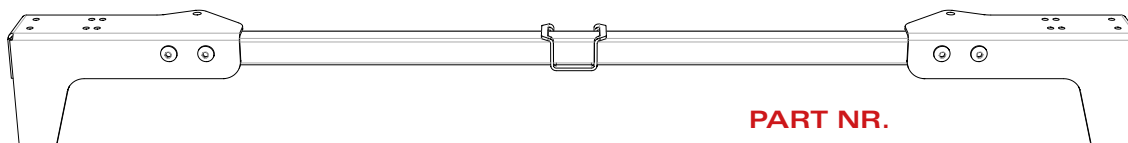


#### PART NR.

|                |           |
|----------------|-----------|
| SB=2550 - 208Z | 193-18001 |
| Mounting set   | 144-10022 |



### 4b Back beam



#### PART NR.

|                            |           |
|----------------------------|-----------|
| Set back beam tube 30x30mm | 144-10037 |
| Tube 30x30x2mm             | 112-07001 |

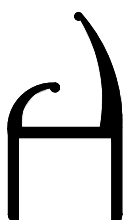
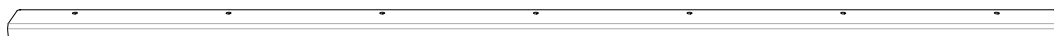
### Rain strip for back beam (4a)



#### PART NR.

|         |           |
|---------|-----------|
| SB=2550 | 192-01601 |
|---------|-----------|

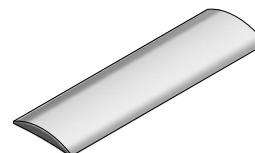
### Rain strip for front header



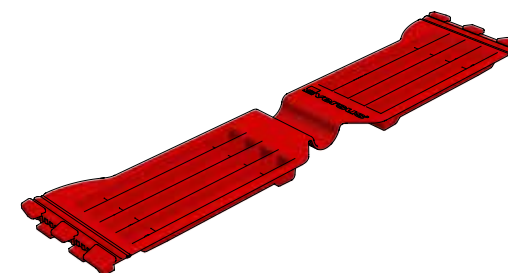
**ttwin**

#### PART NR.

|                               |           |
|-------------------------------|-----------|
| Rain strip SB=2550            | 192-01606 |
| PVC pelmet L = 2,6m (black)   | 242-20001 |
| Mounting strip 30x5mm L= 2,6m | 292-07001 |



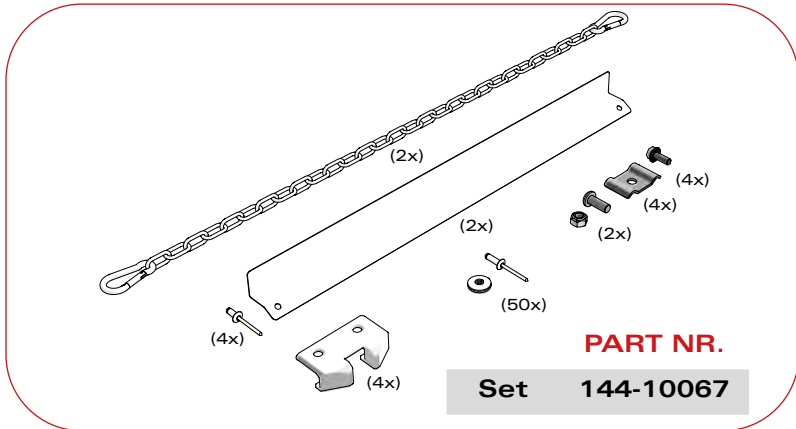
### 8 Folding plate



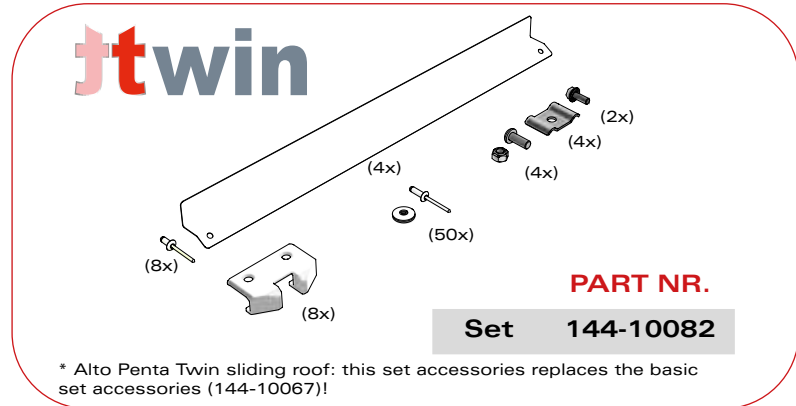
#### PART NR.

|          |           |
|----------|-----------|
| Type 400 | 242-01004 |
| Type 500 | 242-01005 |
| Type 600 | 242-01006 |
| Type 700 | 242-01007 |
| Type 570 | 242-01057 |
| Type 650 | 242-01065 |

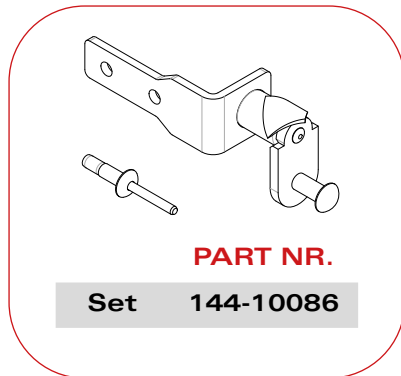
### 7a Set accessories



### 7b Set accessories Twin



### 7c Set lock collapsible backside



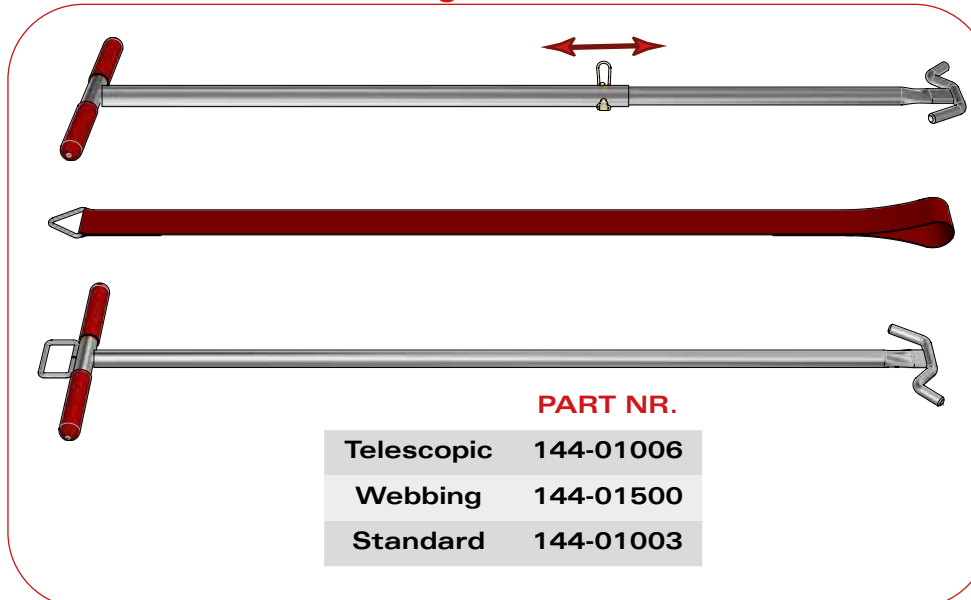
### 7d Set accessories external unlocking



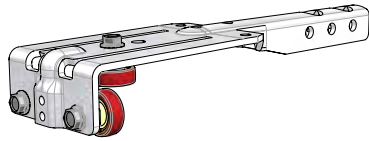
### 9 Carapax plate



### 10 Pull bars & webbing



## For roof sticks



**Assembled bracket**

**PART NR.**

**174-02001**



**Roller bearing plastic**

**PART NR.**

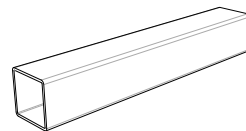
**132-01001**



**Bolt tensilock M6x16mm**

**PART NR.**

**091-23001**

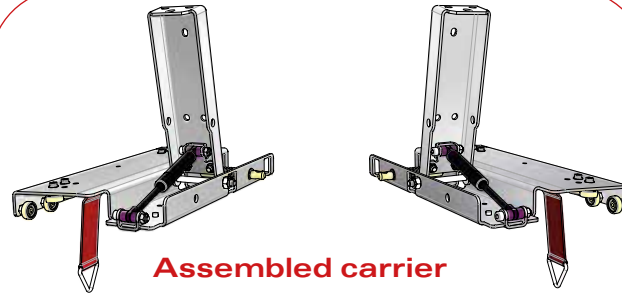


**Tube 30x30x1,5mm**

**PART NR.**

**L = 2185mm 112-01003**

## For collapsible backside

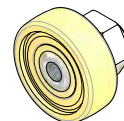


**Assembled carrier**

**PART NR.**

**Left 204-47201**

**Right 204-47202**



**Roller bearing steel**

**PART NR.**

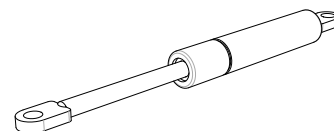
**132-03001**



**Bolt tensilock M6x16mm**

**PART NR.**

**091-23001**

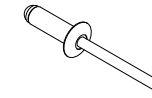


**Gas spring 700N**

**PART NR.**

**302-01001**

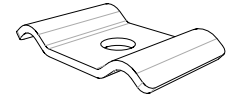
## For accessories set



**Rivet & washer**

**PART NR.**

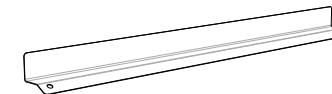
**50 pieces 144-10003**



**Rope clamp**

**PART NR.**

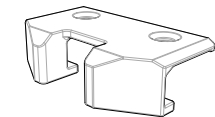
**292-01001**



**Protection plate**

**PART NR.**

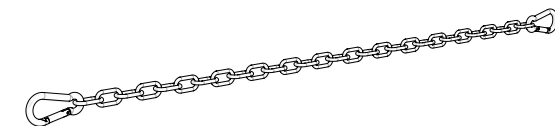
**142-06006**



**Locking nose**

**PART NR.**

**142-05020**

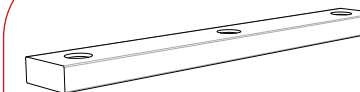


**Chain with 2 hooks**

**PART NR.**

**142-07001**

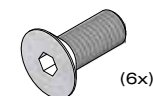
## For mounting set



**Mounting block**

**PART NR.**

**152-02001**



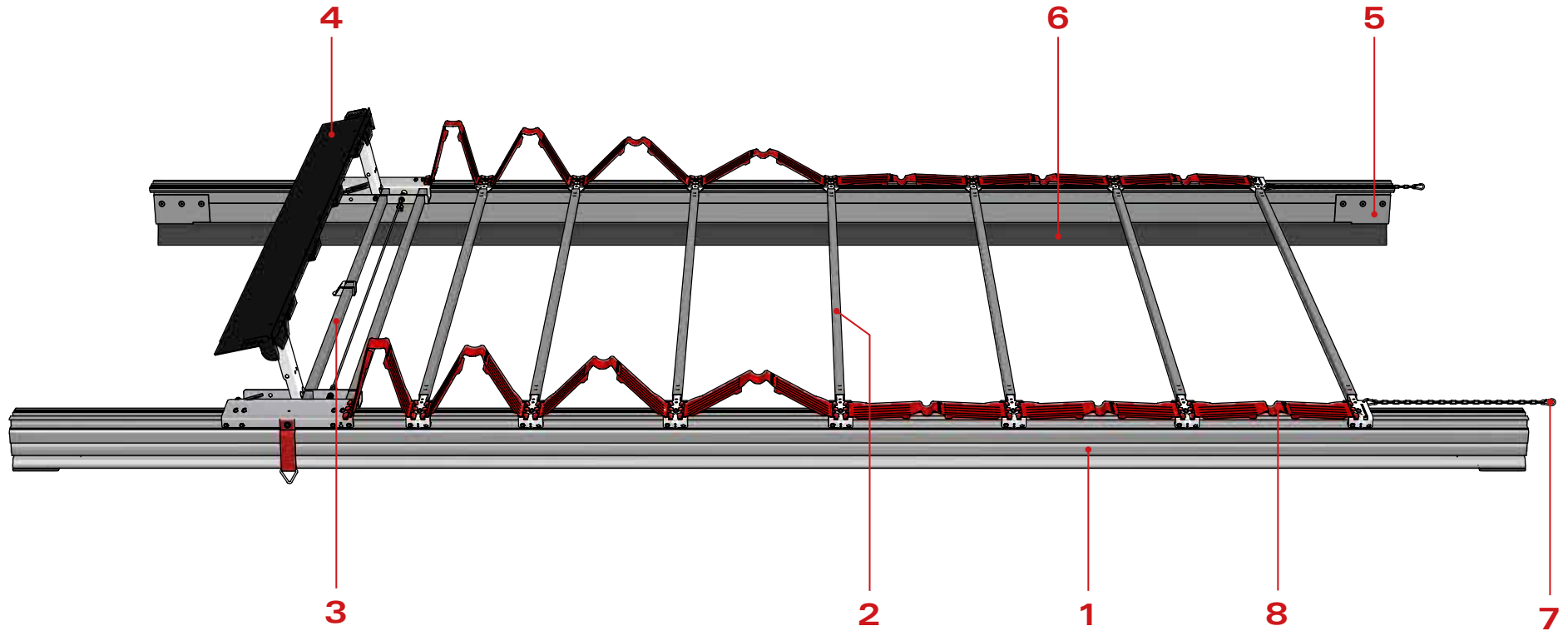
**Bolt  
M10x25mm  
(6x)**

**PART NR.**

**091-26002**



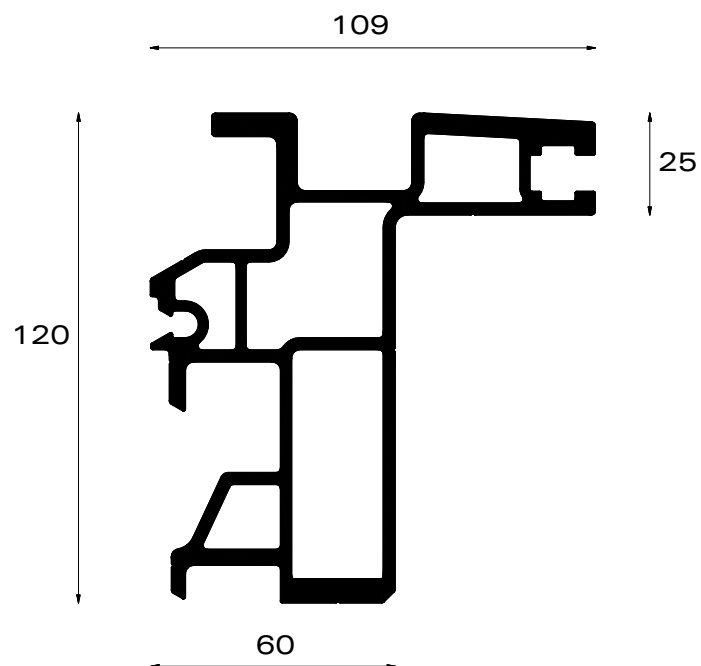




|          |                      |            |                 |
|----------|----------------------|------------|-----------------|
| <b>1</b> | Duo Penta rail       | <b>6</b>   | PVC pelmet      |
| <b>2</b> | Roof stick           | <b>7</b>   | Set accessories |
| <b>3</b> | Collapsible backside | <b>8</b>   | Folding plate   |
| <b>4</b> | Back beam            | <b>9*</b>  | Carapax plate   |
| <b>5</b> | Set mounting plates  | <b>10*</b> | Pull bar        |

\* Not visible on the composition drawing above.

### 1 Duo Penta rail



#### PART NR.

|                                     |           |
|-------------------------------------|-----------|
| L = 5m                              | 162-30500 |
| L = 7,8m                            | 162-30780 |
| L = 8,5m                            | 162-30850 |
| * L = 10,5m                         | 162-30105 |
| * L = 13,6m                         | 162-30136 |
| *profile with pre-bending & milling |           |
| Ix : 325cm <sup>4</sup>             |           |
| Iy : 174cm <sup>4</sup>             |           |
| ± 5,7 kg/m                          |           |

### 2a Roof stick for sliding roof



#### PART NR.

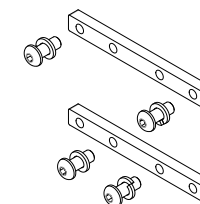
|                        |           |
|------------------------|-----------|
| SB=2550 - Type SP      | 224-01001 |
| SB=2550 - Type AS (Al) | 224-03001 |

### 2b Roof stick for fixed roof with polyester cover



#### PART NR.

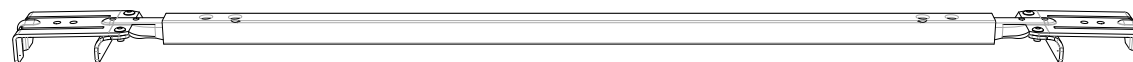
|                             |           |
|-----------------------------|-----------|
| SB=2550 - Type SP           | 224-41101 |
| SB=2550 - Type AS (Al)      | 224-43101 |
| Mounting set roof stick fix | 144-10048 |



\* Roof stick screwed to rail with bolts

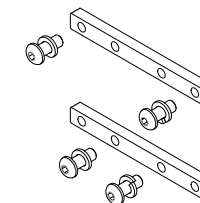
\* 1 set/roof stick

### 2c Roof stick for fixed roof with tarpaulin cover



#### PART NR.

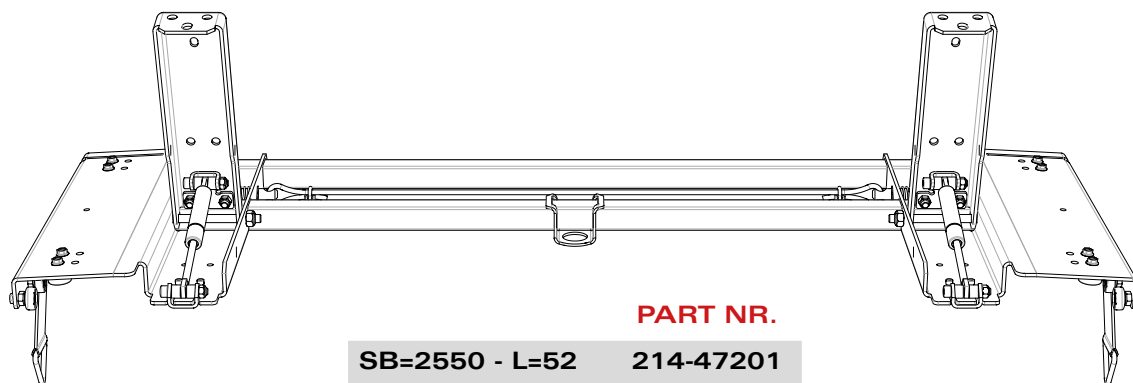
|                             |           |
|-----------------------------|-----------|
| SB=2550 - Type SP           | 224-41211 |
| SB=2550 - Type AS (Al)      | 224-43211 |
| Mounting set roof stick fix | 144-10048 |



\* Roof stick screwed to rail with bolts

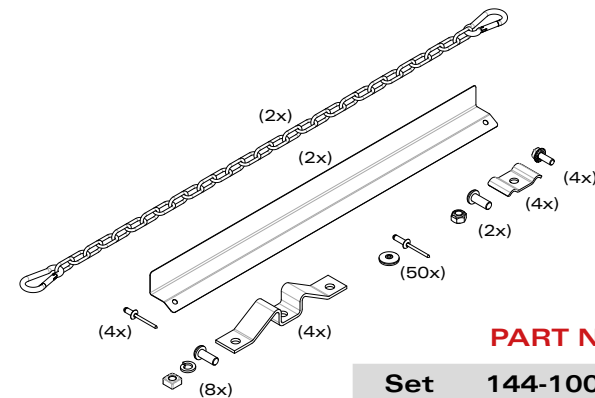
\* 1 set/roof stick

**3a Collapsible backside**



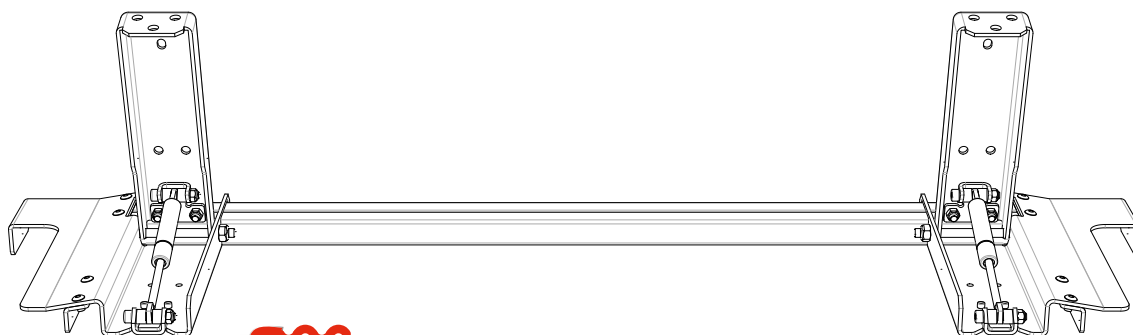
**PART NR.**  
SB=2550 - L=52    214-47201

**7a Set accessories**



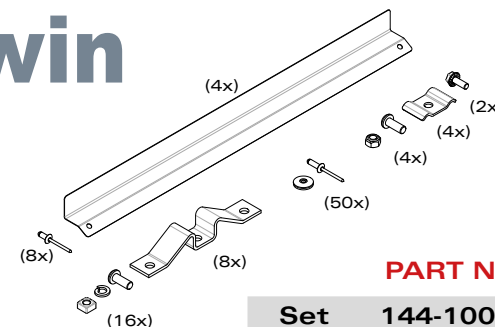
**PART NR.**  
Set    144-10001

**3b Collapsible backside for fixed roof with tarpaulin cover**



**PART NR.**  
SB=2550 - L=100    324-47201

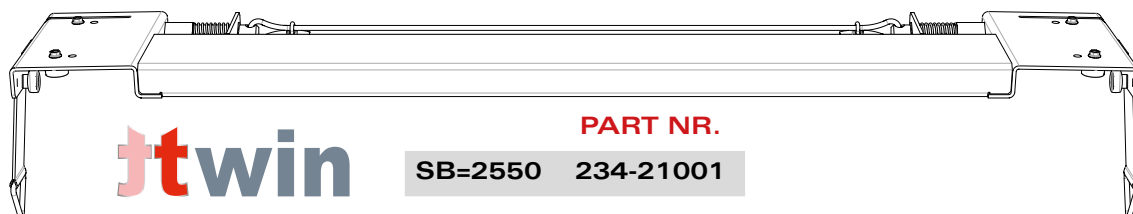
**7b Set accessories Twin**



**PART NR.**  
Set    144-10018

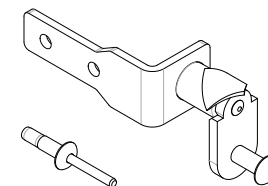
\* Duo Penta Twin sliding roof: this set replaces the basic set accessories (144-10001)!

**Front header**



**PART NR.**  
SB=2550    234-21001

**7c Set lock collapsible backside**



**PART NR.**  
Set    144-10086

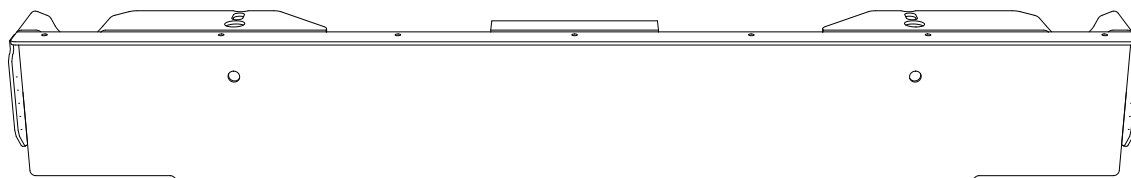
**7d Set accessories external unlocking**



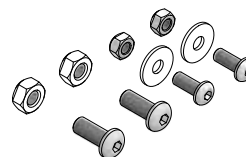
**PART NR.**  
Set    144-10174



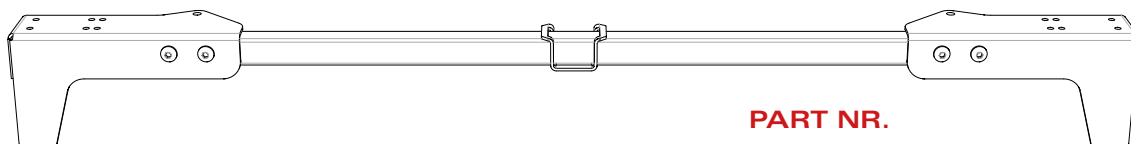
### 4a Back beam



| PART NR.       |           |
|----------------|-----------|
| SB=2550 - 145Z | 193-14001 |
| Mounting set   | 144-10022 |

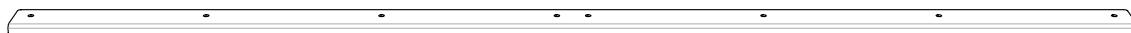


### 4b Back beam



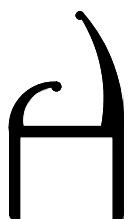
| PART NR.                   |           |
|----------------------------|-----------|
| Set back beam tube 30x30mm | 144-10037 |
| Tube 30x30x2mm             | 112-07001 |

### Rain strip for back beam (4a)



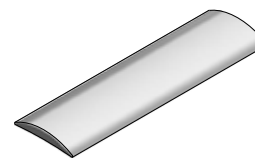
| PART NR. |           |
|----------|-----------|
| SB=2550  | 192-01601 |

### Rain strip for front header

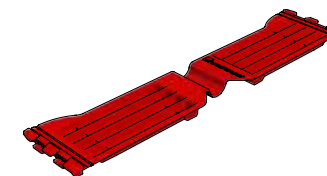


**ttwin**

| PART NR.                       |           |
|--------------------------------|-----------|
| Rain strip SB=2550             | 192-01606 |
| PVC pelmet L = 2,6m (black)    | 242-20001 |
| Mounting strip 30x5mm L = 2,6m | 292-07001 |

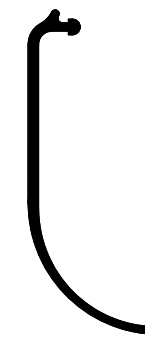


### 8 Folding plate



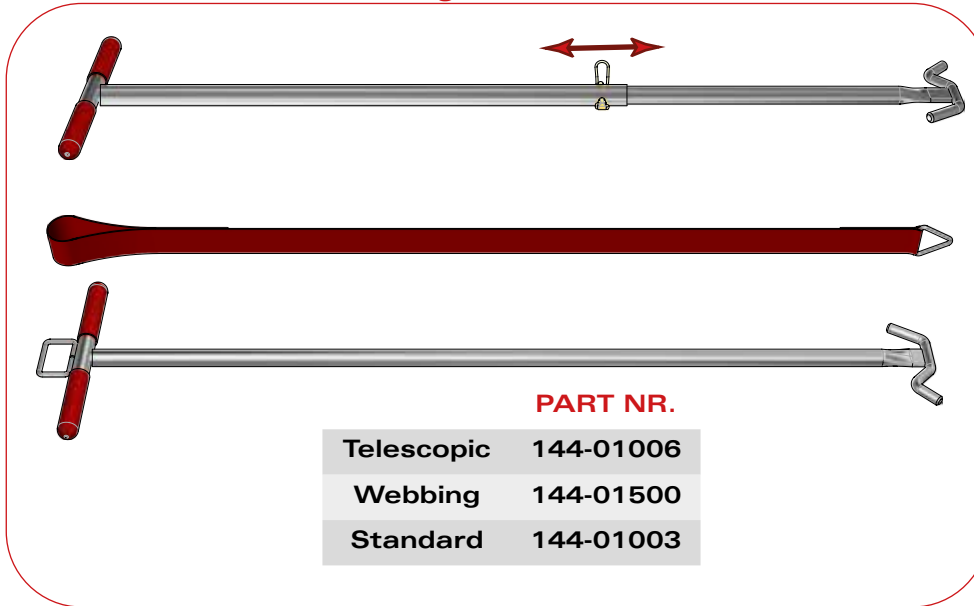
| PART NR. |           |
|----------|-----------|
| Type 400 | 242-01004 |
| Type 500 | 242-01005 |
| Type 600 | 242-01006 |
| Type 700 | 242-01007 |
| Type 570 | 242-01057 |
| Type 650 | 242-01065 |

### 6 PVC pelmet (black)



| PART NR. |           |
|----------|-----------|
| L = 9m   | 242-02109 |
| L = 14m  | 242-02114 |

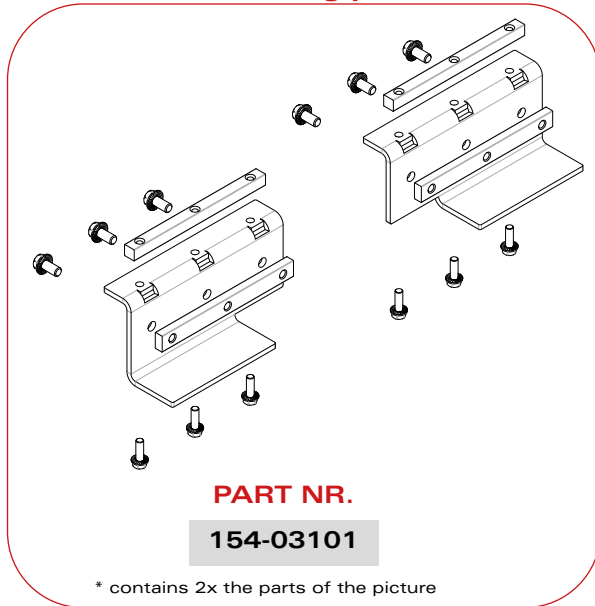
### 10 Pull bars & webbing



### Pillars

Please see chapter Penta slider systems.

### 5 Set mounting plates



### Roller

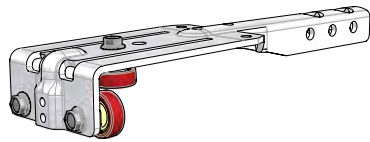
Please see chapter Penta slider systems.

### 9 Carapax plate



\* only needed for roof with Carapax cover

## For roof sticks



**Assembled bracket**

**PART NR.**

**174-02001**



**Roller bearing plastic**

**PART NR.**

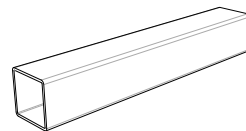
**132-01001**



**Bolt tensilock M6x16mm**

**PART NR.**

**091-23001**

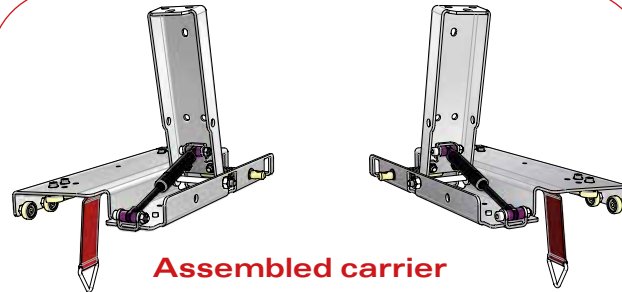


**Tube 30x30x1,5mm**

**PART NR.**

**L = 2185mm 112-01003**

## For collapsible backside

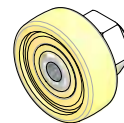


**Assembled carrier**

**PART NR.**

**Left 204-47201**

**Right 204-47202**



**Roller bearing steel**

**PART NR.**

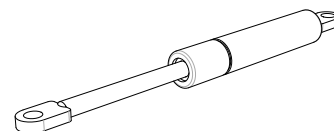
**132-03001**



**Bolt tensilock M6x16mm**

**PART NR.**

**091-23001**

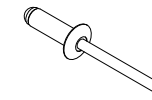


**Gas spring 700N**

**PART NR.**

**302-01001**

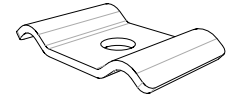
## For accessories set



**Rivet & washer**

**PART NR.**

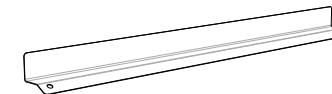
**50 pieces 144-10003**



**Rope clamp**

**PART NR.**

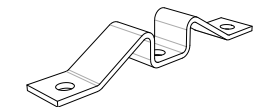
**292-01001**



**Protection plate**

**PART NR.**

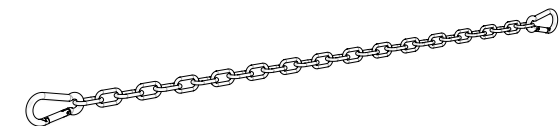
**142-06006**



**Locking nose**

**PART NR.**

**142-05002**

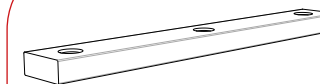


**Chain with 2 hooks**

**PART NR.**

**142-07001**

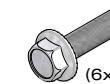
## For mounting set



**Mounting block**  
**PART NR.**

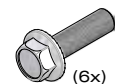
**14x14 152-02019**

**20x10 152-02006**



**Bolt tensilock**  
**M10x20mm**  
**PART NR.**

**091-23004**

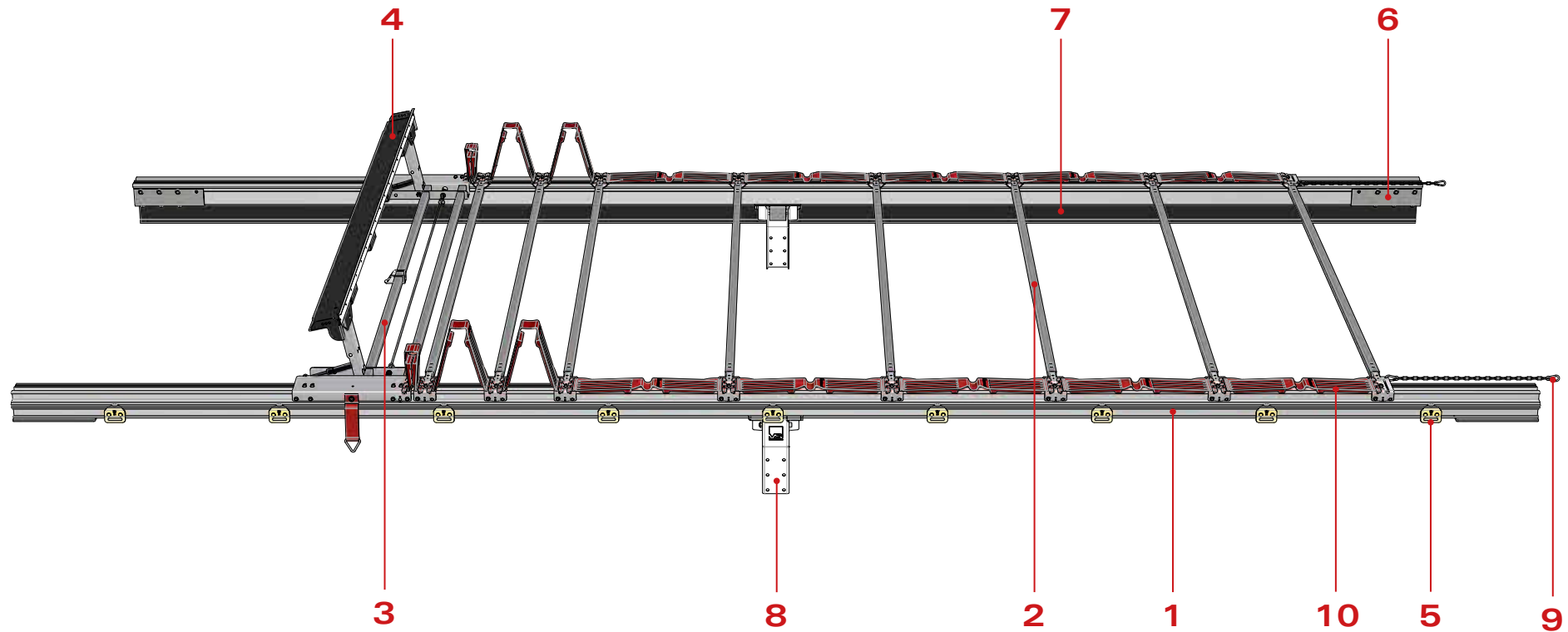


**Bolt tensilock**  
**M8x25mm**  
**PART NR.**

**091-23005**



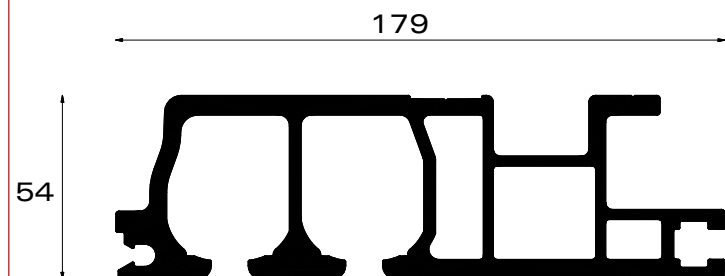




|          |                      |
|----------|----------------------|
| <b>1</b> | Plano rail           |
| <b>2</b> | Roof stick           |
| <b>3</b> | Collapsible backside |
| <b>4</b> | Back beam            |
| <b>5</b> | Roller               |
| <b>6</b> | Set mounting plates  |

|           |                 |
|-----------|-----------------|
| <b>7</b>  | PVC pelmet      |
| <b>8</b>  | Pillar bracket  |
| <b>9</b>  | Set accessories |
| <b>10</b> | Folding plate   |
| <b>11</b> | Pull bar        |

### 1 Plano rail



#### PART NR.

|             |           |
|-------------|-----------|
| * L = 7,5m  | 162-05750 |
| * L = 8,5m  | 162-05850 |
| * L = 9,5m  | 162-05950 |
| * L = 13,6m | 162-05136 |

\* profile with pre-bending

$I_x : 107\text{cm}^4$   
 $I_y : 739\text{cm}^4$   
 $\pm 7,5 \text{ kg/m}$

### 2a Roof stick for sliding roof



#### PART NR.

|                        |           |
|------------------------|-----------|
| SB=2550 - Type SP      | 224-01031 |
| SB=2550 - Type AS (Al) | 224-03031 |

### 2b Roof stick for fixed roof with tarpaulin cover



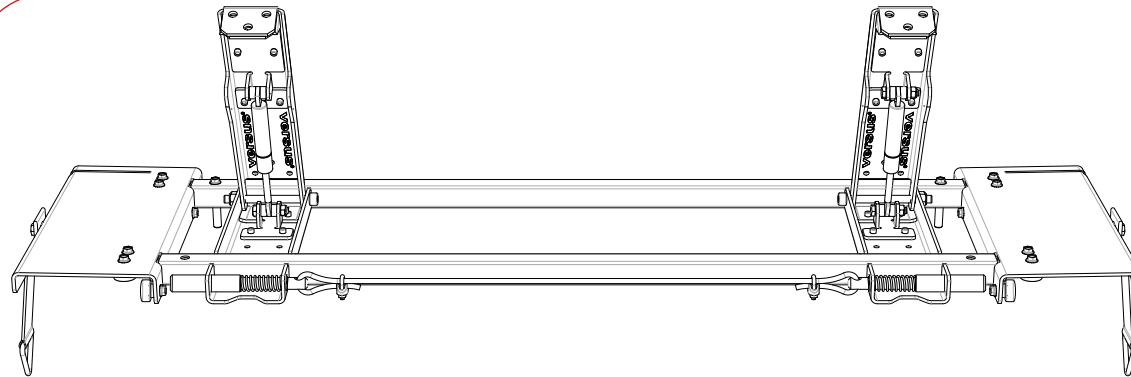
#### PART NR.



|                        |           |
|------------------------|-----------|
| SB=2550 - Type SP      | 224-01231 |
| SB=2550 - Type AS (Al) | 224-23231 |

\* Roof stick fixed to rail with monobolts

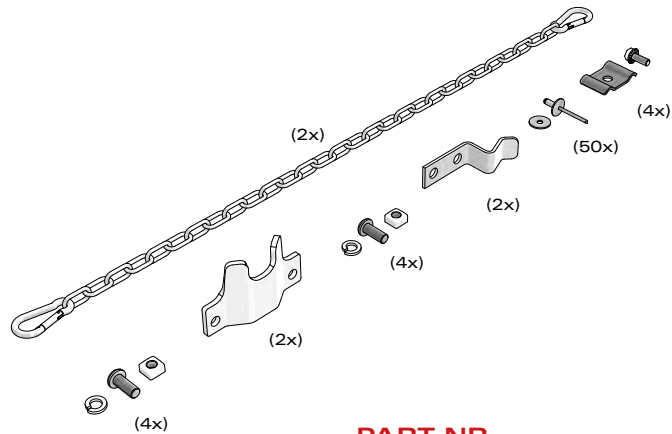
**3 Collapsible backside**



**PART NR.**

**SB=2550 - L=52 214-03031**

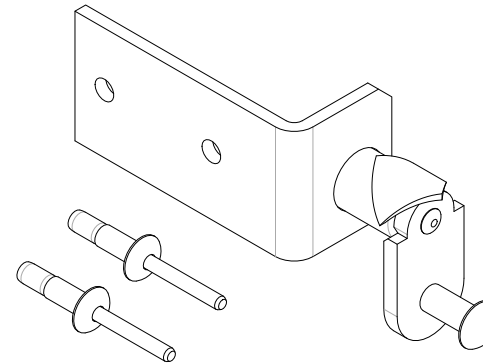
**9a Set accessories**



**PART NR.**

**Set 144-10023**

**9b Set lock collapsible backside**



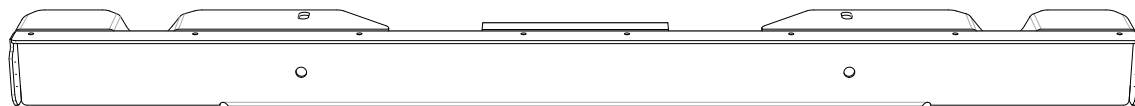
**PART NR.**

**Set left 144-10008**

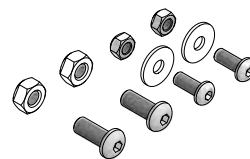
**Set right 144-10009**



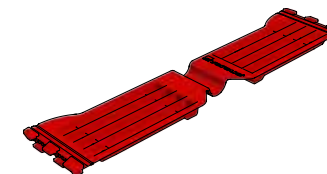
### 4 Back beam



|               | PART NR.  |
|---------------|-----------|
| SB=2550 - 80Z | 193-05031 |
| Mounting set  | 144-10022 |



### 10 Folding plate



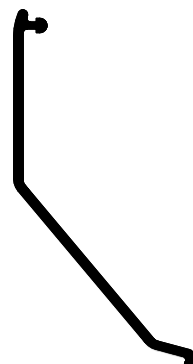
|          | PART NR.  |
|----------|-----------|
| Type 400 | 242-01004 |
| Type 500 | 242-01005 |
| Type 600 | 242-01006 |
| Type 700 | 242-01007 |
| Type 570 | 242-01057 |
| Type 650 | 242-01065 |

### Rain strip for back beam (4)



|         | PART NR.  |
|---------|-----------|
| SB=2550 | 192-01601 |

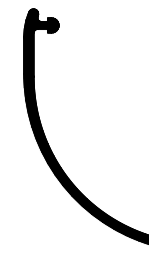
### 7a PVC pelmet (black)



|         | PART NR.  |
|---------|-----------|
| L = 9m  | 242-12109 |
| L = 14m | 242-12114 |

\* By sidecurtain roller 284-10002

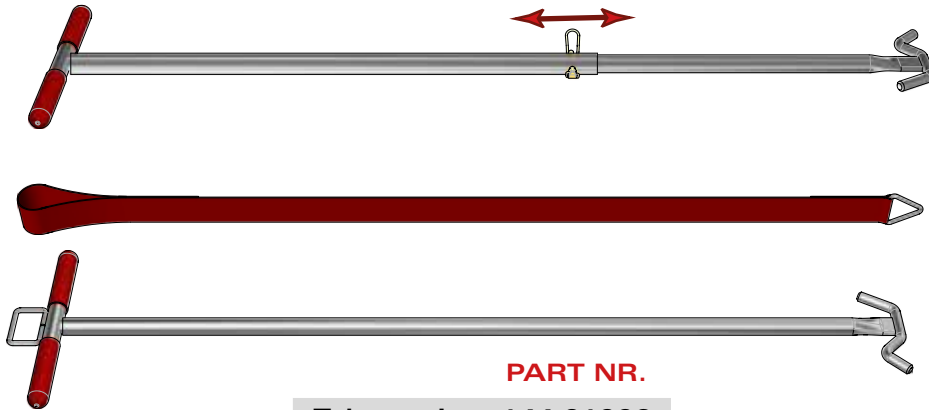
### 7b PVC pelmet (black)



|         | PART NR.  |
|---------|-----------|
| L = 9m  | 242-15109 |
| L = 14m | 242-15114 |

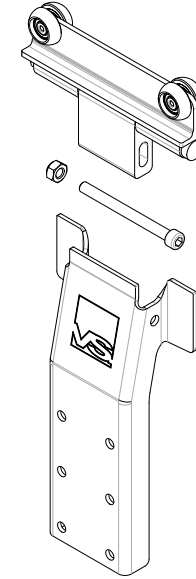
\* By sidecurtain roller 284-10007

**11 Pull bars & webbing**



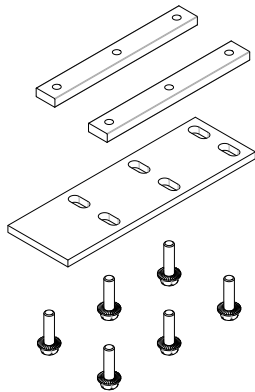
|            | <b>PART NR.</b> |
|------------|-----------------|
| Telescopic | 144-01006       |
| Webbing    | 144-01500       |
| Standard   | 144-01003       |

**8 Pillar bracket**



|            | <b>PART NR.</b> |
|------------|-----------------|
| Bracket    | 264-01002       |
| Bolt & nut | 144-10015       |
| Plate      | 262-05007       |

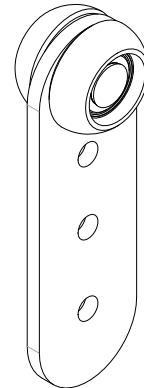
**6 Set mounting plates**



| <b>PART NR.</b> |
|-----------------|
| 154-03001       |

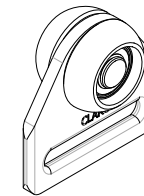
\* contains 4x the parts of the picture

**5a Roller**



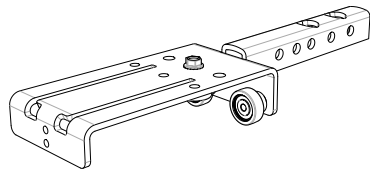
| <b>PART NR.</b> |
|-----------------|
| 284-10002       |

**5b Roller**



| <b>PART NR.</b> |
|-----------------|
| 284-10007       |

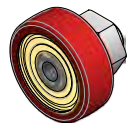
## For roof sticks



**Assembled bracket**

**PART NR.**

**174-04031**



**Roller bearing plastic**

**PART NR.**

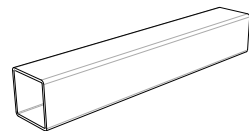
**132-01001**



**Bolt tensilock M6x16mm**

**PART NR.**

**091-23001**

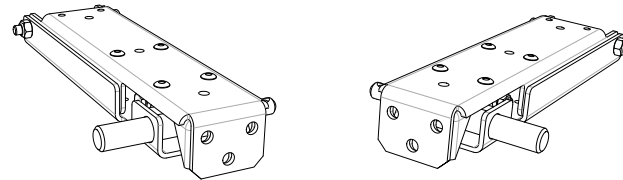


**Tube 30x30x1,5mm**

**PART NR.**

**L = 2150mm 112-01003**

## For collapsible backside

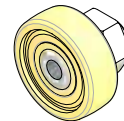


**Assembled carrier**

**PART NR.**

**Left 254-01032**

**Right 254-01035**



**Roller bearing steel**

**PART NR.**

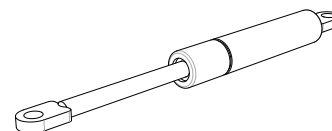
**132-03001**



**Bolt tensilock M6x16mm**

**PART NR.**

**091-23001**

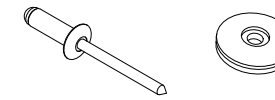


**Gas spring 700N**

**PART NR.**

**302-01001**

## For accessories set



**Rivet & washer**

**PART NR.**

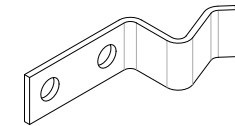
**50 pieces 144-10003**



**Rope clamp**

**PART NR.**

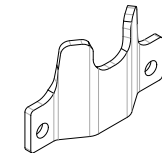
**292-01001**



**Locking nose front**

**PART NR.**

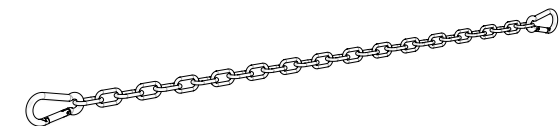
**142-05013**



**Locking nose back**

**PART NR.**

**142-05006**

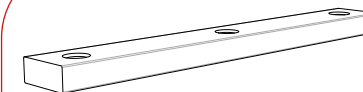


**Chain with 2 hooks**

**PART NR.**

**142-07001**

## For mounting set



**Mounting block**

**PART NR.**

**152-02001**



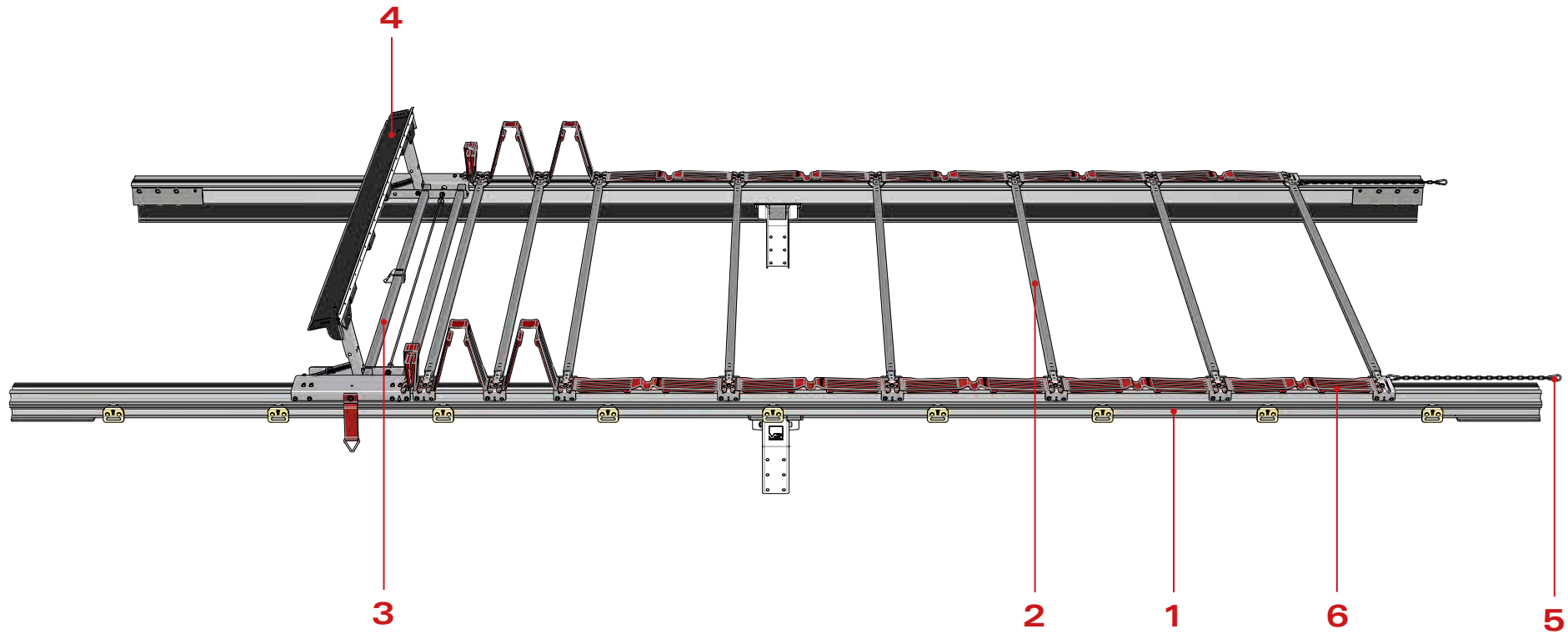
**Bolt tensilock  
M10x35mm**

**PART NR.**

**091-23002**

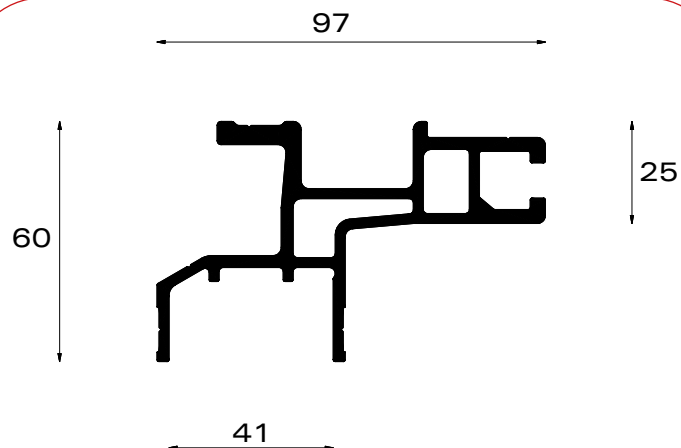






|          |                      |          |                             |
|----------|----------------------|----------|-----------------------------|
| <b>1</b> | Pico rail            | <b>5</b> | Set accessories             |
| <b>2</b> | Roof stick           | <b>6</b> | Folding plate               |
| <b>3</b> | Collapsible backside | <b>7</b> | Mounting set roof stick fix |
| <b>4</b> | Back beam            | <b>8</b> | Pull bar                    |

### 1 Pico rail

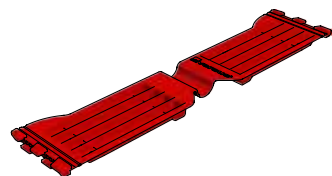


#### PART NR.

L = 7m 162-08700

$I_x : 21\text{cm}^4$   
 $I_y : 67\text{cm}^4$   
 $\pm 2,5 \text{ kg/m}$

### 6 Folding plate



#### PART NR.

|          |           |
|----------|-----------|
| Type 400 | 242-01004 |
| Type 500 | 242-01005 |
| Type 600 | 242-01006 |
| Type 700 | 242-01007 |
| Type 570 | 242-01057 |
| Type 650 | 242-01065 |

### 2a Roof stick for sliding roof



#### PART NR.

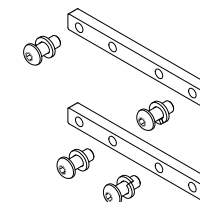
|                        |           |
|------------------------|-----------|
| SB=2550 - Type SP      | 224-01001 |
| SB=2550 - Type AS (Al) | 224-03001 |

### 2b Roof stick for fixed roof with polyester cover



#### PART NR.

|                             |           |
|-----------------------------|-----------|
| SB=2550 - Type SP           | 224-01101 |
| SB=2550 - Type AS (Al)      | 224-03101 |
| Mounting set roof stick fix | 144-10048 |



\* Roof stick screwed to rail with bolts

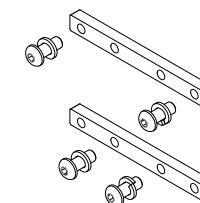
\* 1 set/roof stick

### 2c Roof stick for fixed roof with tarpaulin cover



#### PART NR.

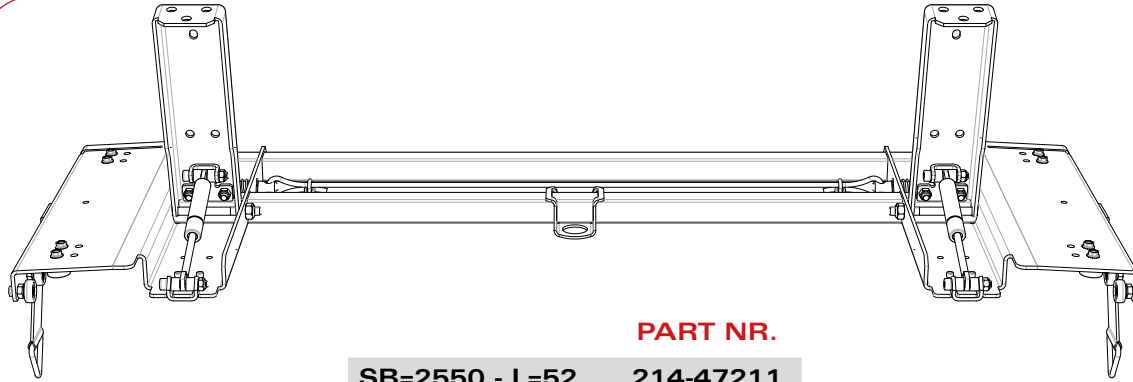
|                             |           |
|-----------------------------|-----------|
| SB=2550 - Type SP           | 224-01211 |
| SB=2550 - Type AS (Al)      | 224-03211 |
| Mounting set roof stick fix | 144-10048 |



\* Roof stick screwed to rail with bolts

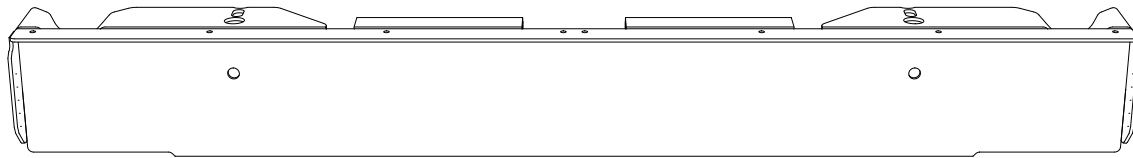
\* 1 set/roof stick

**3 Collapsible backside**

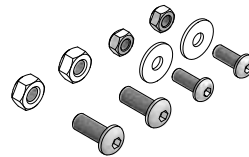


**PART NR.**  
SB=2550 - L=52    214-47211

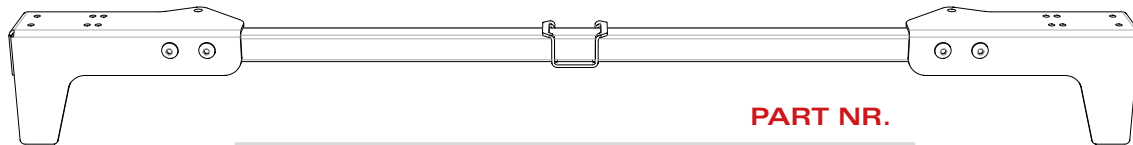
**4a Back beam**



**PART NR.**  
SB=2550 - 125Z    193-11001  
Mounting set        144-10022

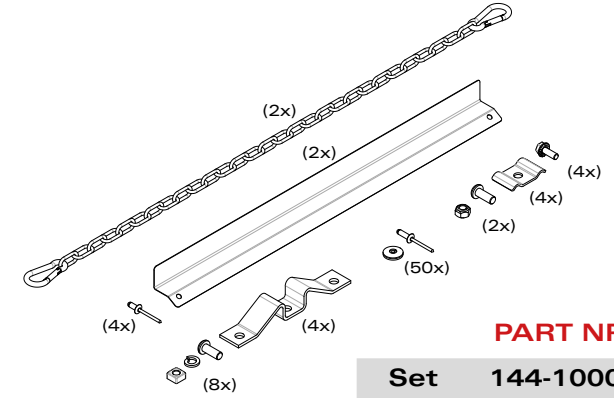


**4b Back beam**



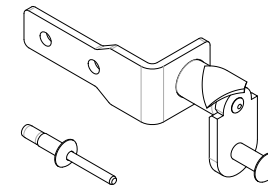
**PART NR.**  
Set back beam tube 30x30mm    144-10037  
Tube 30x30x2mm                112-07001

**5a Set accessories**



**PART NR.**  
Set    144-10001

**5b Set lock collapsible backside**



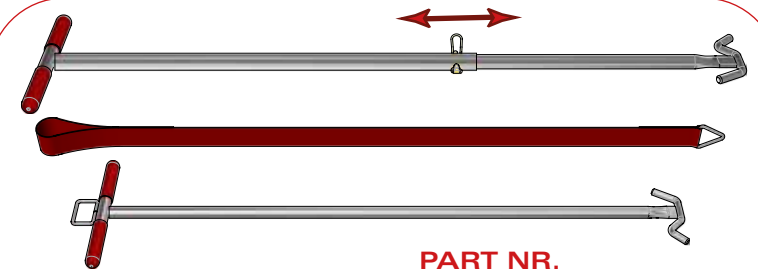
**PART NR.**  
Set    144-10086

**5c Set accessories external unlocking**



**PART NR.**  
Set    144-10174

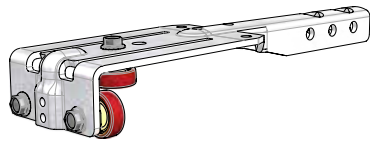
**8 Pull bars & webbing**



**PART NR.**  
Telescopic    144-01006  
Webbing       144-01500  
Standard       144-01003



## For roof sticks



**Assembled bracket**

**PART NR.**

**174-02001**



**Roller bearing plastic**

**PART NR.**

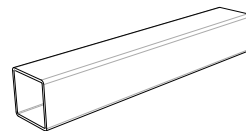
**132-01001**



**Bolt tensilock M6x16mm**

**PART NR.**

**091-23001**

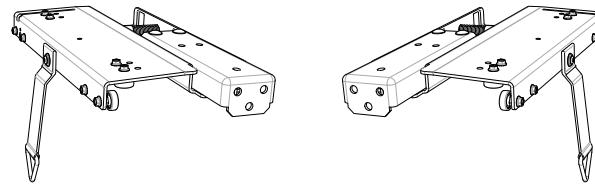


**Tube 30x30x1,5mm**

**PART NR.**

**L = 2185mm 112-01003**

## For collapsible backside

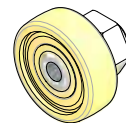


**Assembled carrier**

**PART NR.**

**Left 204-47211**

**Right 204-47212**



**Roller bearing steel**

**PART NR.**

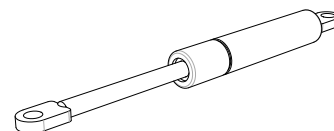
**132-03001**



**Bolt tensilock M6x16mm**

**PART NR.**

**091-23001**

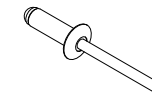


**Gas spring 700N**

**PART NR.**

**302-01001**

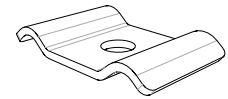
## For accessories set



**Rivet & washer**

**PART NR.**

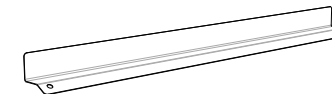
**50 pieces 144-10003**



**Rope clamp**

**PART NR.**

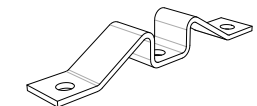
**292-01001**



**Protection plate**

**PART NR.**

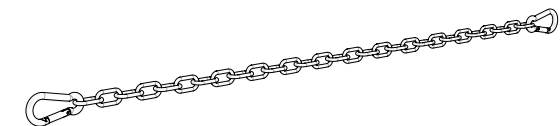
**142-06006**



**Locking nose**

**PART NR.**

**142-05002**



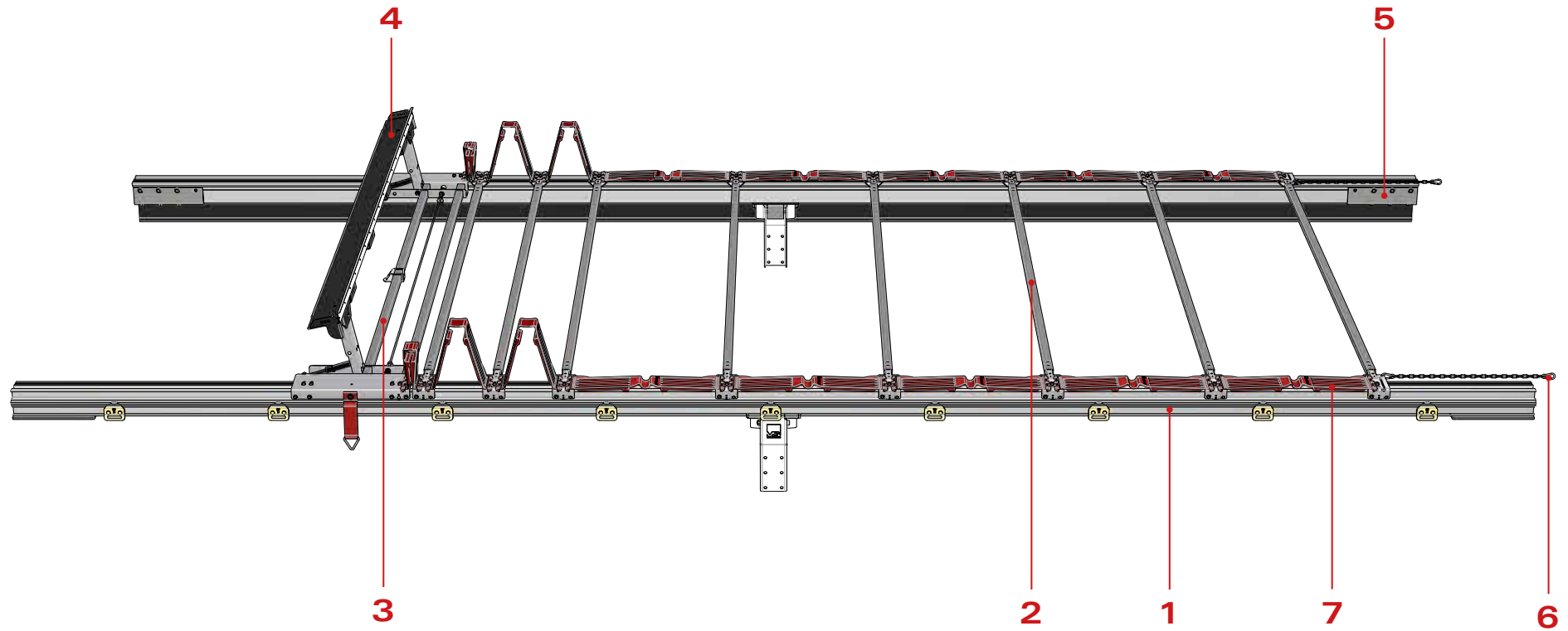
**Chain with 2 hooks**

**PART NR.**

**142-07001**

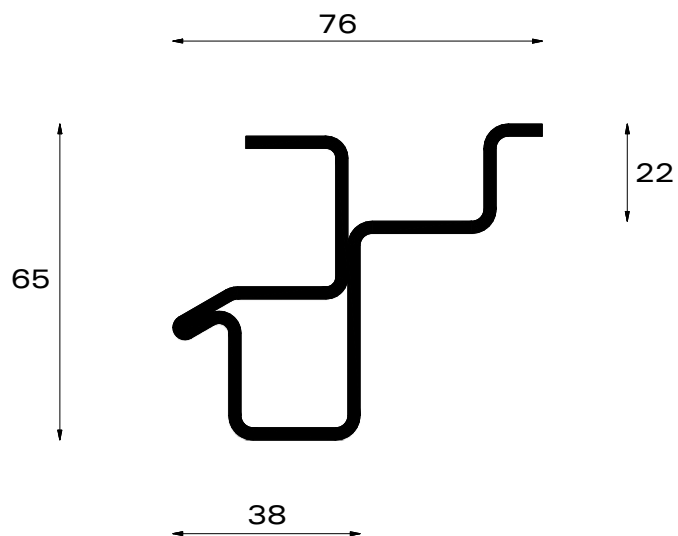






|          |                      |          |                     |
|----------|----------------------|----------|---------------------|
| <b>1</b> | Ferro rail           | <b>5</b> | Set mounting plates |
| <b>2</b> | Roof stick           | <b>6</b> | Set accessories     |
| <b>3</b> | Collapsible backside | <b>7</b> | Folding plate       |
| <b>4</b> | Back beam            | <b>8</b> | Pull bar            |

### 1 Ferro rail SS



**PART NR.**

L = 7m 162-09700

lx : 22cm<sup>4</sup>  
ly : 20cm<sup>4</sup>  
± 4,6 kg/m

### 2 Roof stick for sliding roof

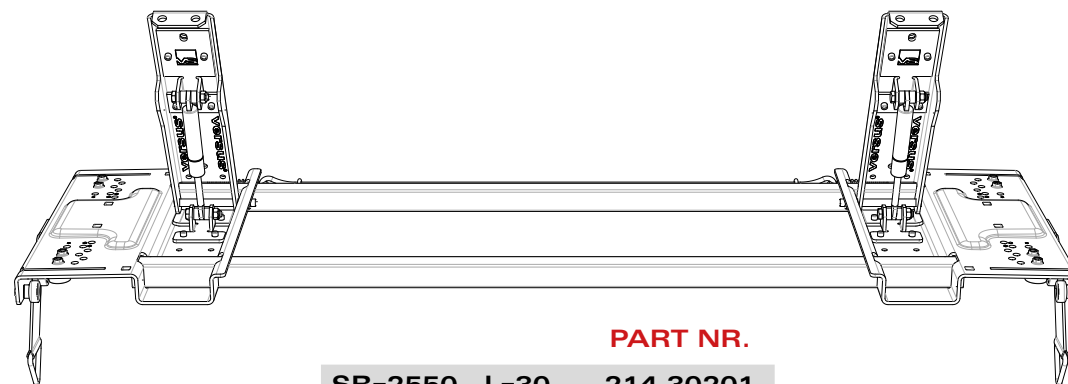


**PART NR.**

SB=2550 - Type SP 224-30001

SB=2550 - Type AS (Al) 224-33001

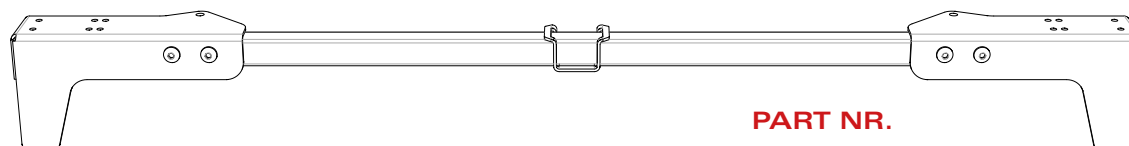
### 3 Collapsible backside



**PART NR.**

SB=2550 - L=30 214-30201

### 4 Back beam

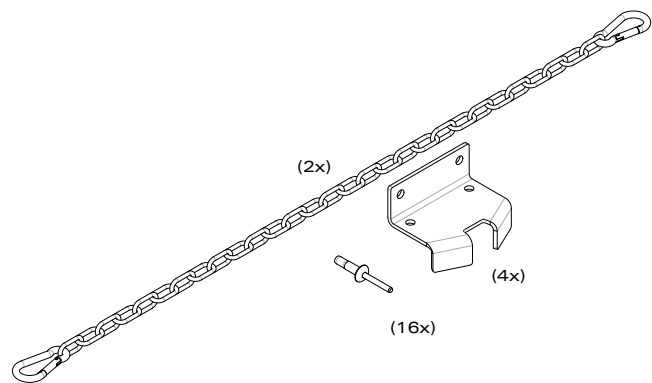


**PART NR.**

Set back beam tube 30x30mm 144-10037

Tube 30x30x2mm 112-07001

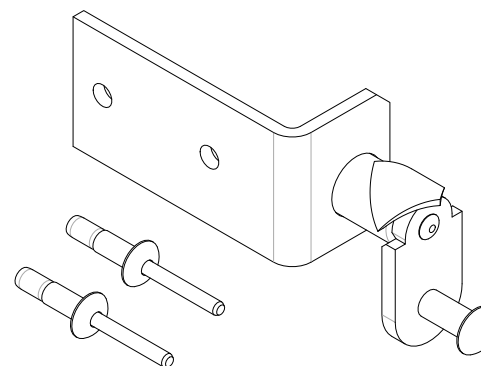
### 6a Set accessories



**PART NR.**

|     |           |
|-----|-----------|
| Set | 144-10034 |
|-----|-----------|

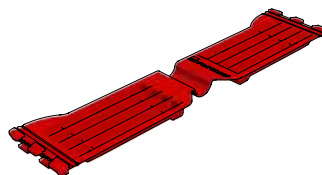
### 6b Set lock collapsible backside



**PART NR.**

|           |           |
|-----------|-----------|
| Set left  | 144-10008 |
| Set right | 144-10009 |

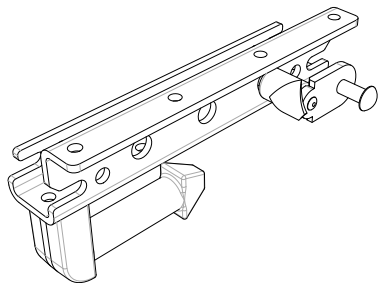
### 7 Folding plate



**PART NR.**

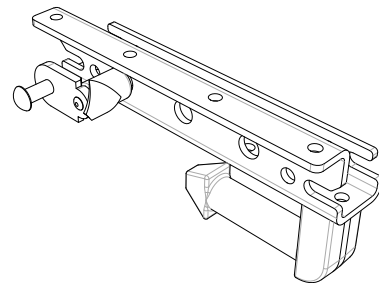
|          |           |
|----------|-----------|
| Type 400 | 242-01004 |
| Type 500 | 242-01005 |
| Type 600 | 242-01006 |
| Type 700 | 242-01007 |
| Type 570 | 242-01057 |
| Type 650 | 242-01065 |

**Connection sets**



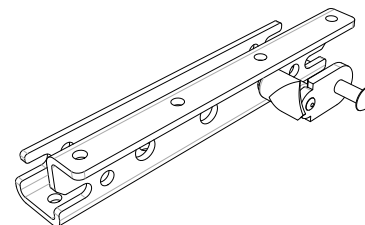
**PART NR.**

**Left 153-30001**



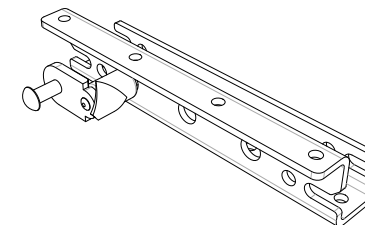
**PART NR.**

**Right 153-30002**



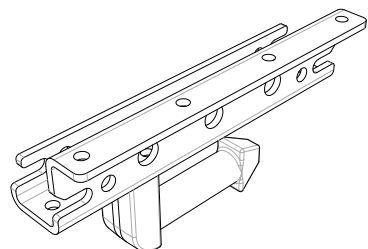
**PART NR.**

**Left 153-30008**



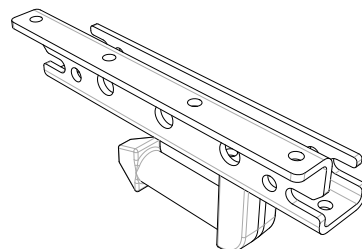
**PART NR.**

**Right 153-30009**



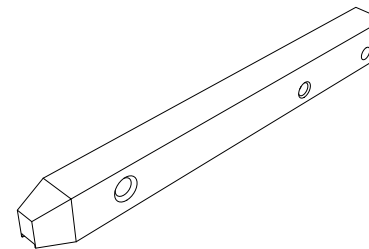
**PART NR.**

**Left 153-30008**



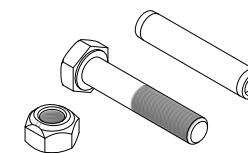
**PART NR.**

**Right 153-30009**



**PART NR.**

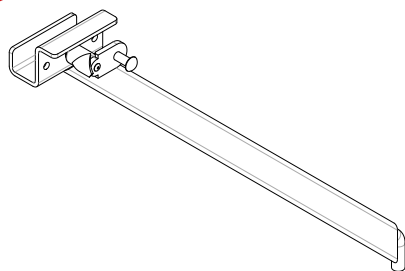
**Pin 152-30003**



**PART NR.**

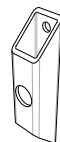
**Set 144-10059**

**Support**



**PART NR.**

**Left 153-05001**

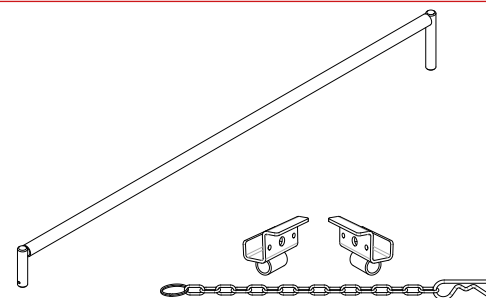


**PART NR.**

**152-05001**

**Right 153-05002**

**Stabilizing bar**

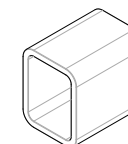


**PART NR.**

**Bar 2550 153-04001**

**Set 144-10050**

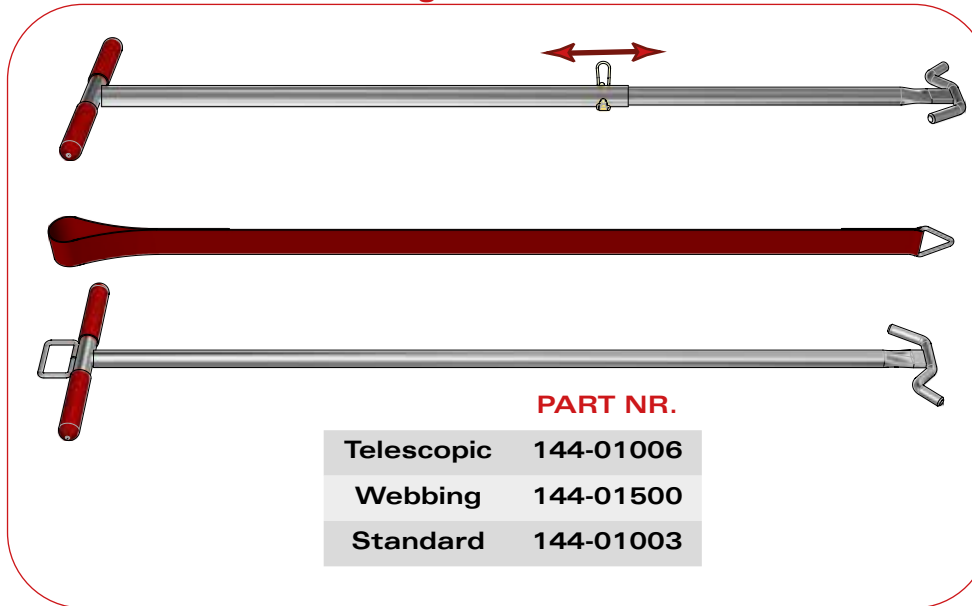
**Pillar adapter**



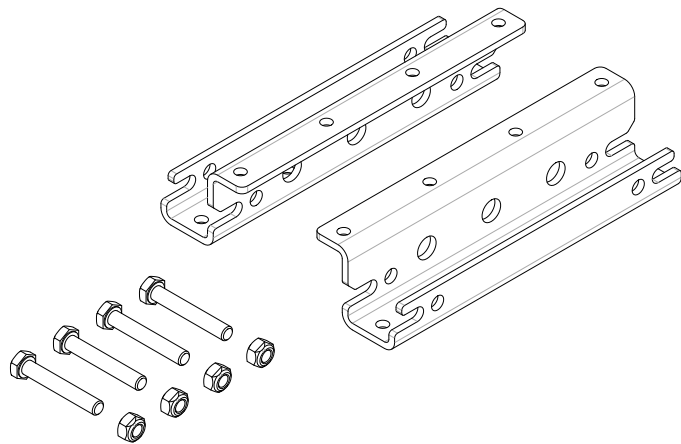
**PART NR.**

**262-30001**

**8 Pull bars & webbing**

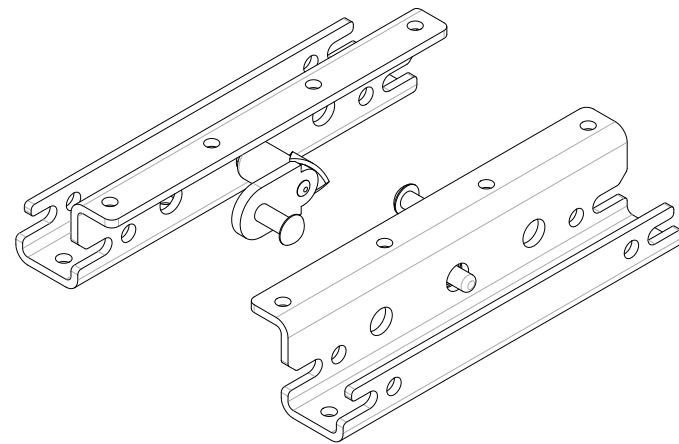


**5a Set mounting plates front**



**PART NR.**  
**144-10036**

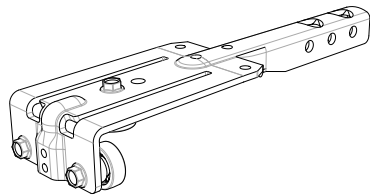
**5b Set mounting plates rear**



**PART NR.**  
**153-30005**



## For roof sticks



**Assembled bracket**

**PART NR.**

**174-30001**



**Roller bearing plastic**

**PART NR.**

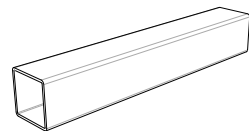
**132-01001**



**Bolt tensilock M6x16mm**

**PART NR.**

**091-23001**

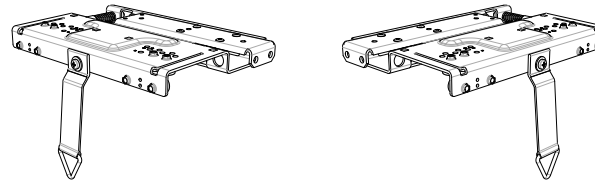


**Tube 30x30x1,5mm**

**PART NR.**

**L = 2185mm 112-01003**

## For collapsible backside

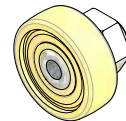


**Assembled carrier**

**PART NR.**

**Left 204-30201**

**Right 204-30202**



**Roller bearing steel**

**PART NR.**

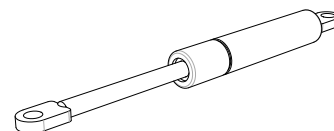
**132-03001**



**Bolt tensilock M6x16mm**

**PART NR.**

**091-23001**

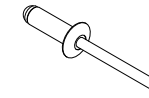


**Gas spring 700N**

**PART NR.**

**302-01001**

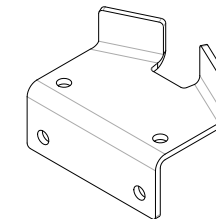
## For accessories set



**Rivet**

**PART NR.**

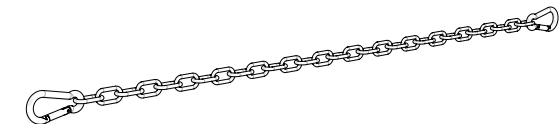
**091-01001**



**Locking nose**

**PART NR.**

**142-05011**



**Chain with 2 hooks**

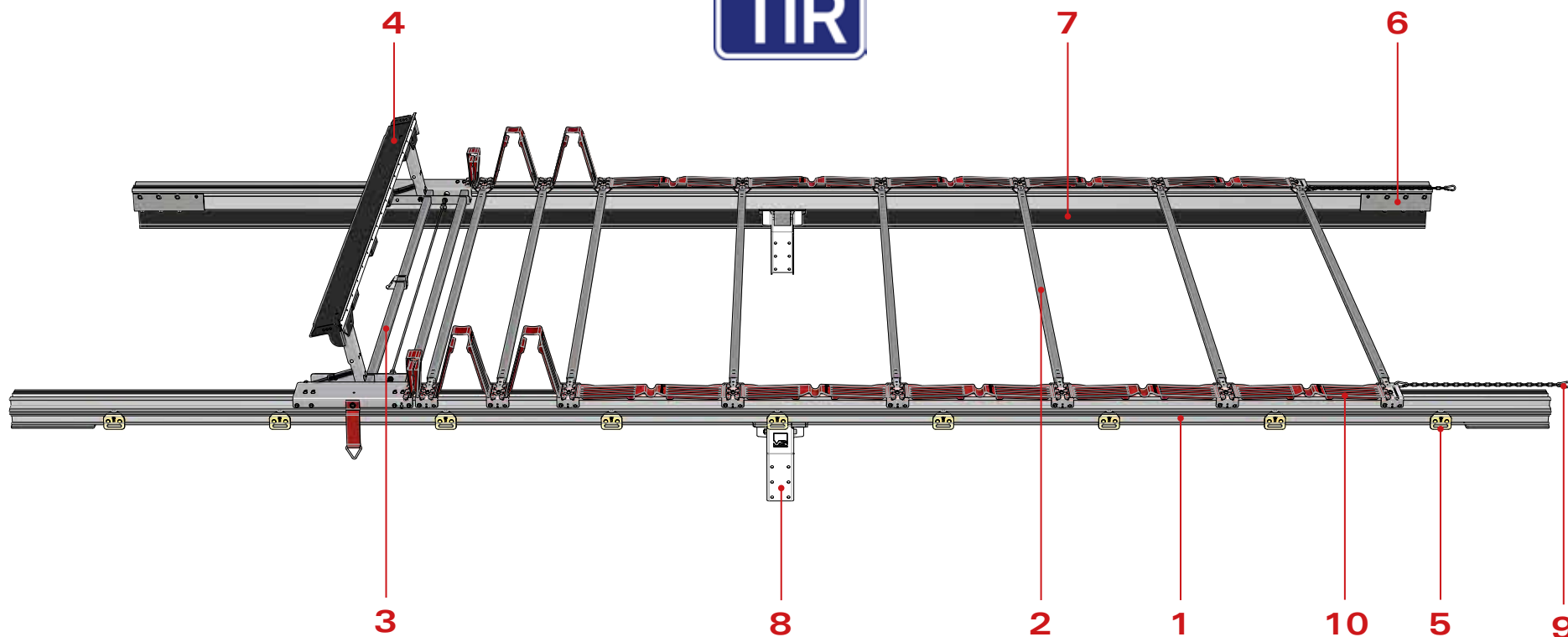
**PART NR.**

**142-07001**





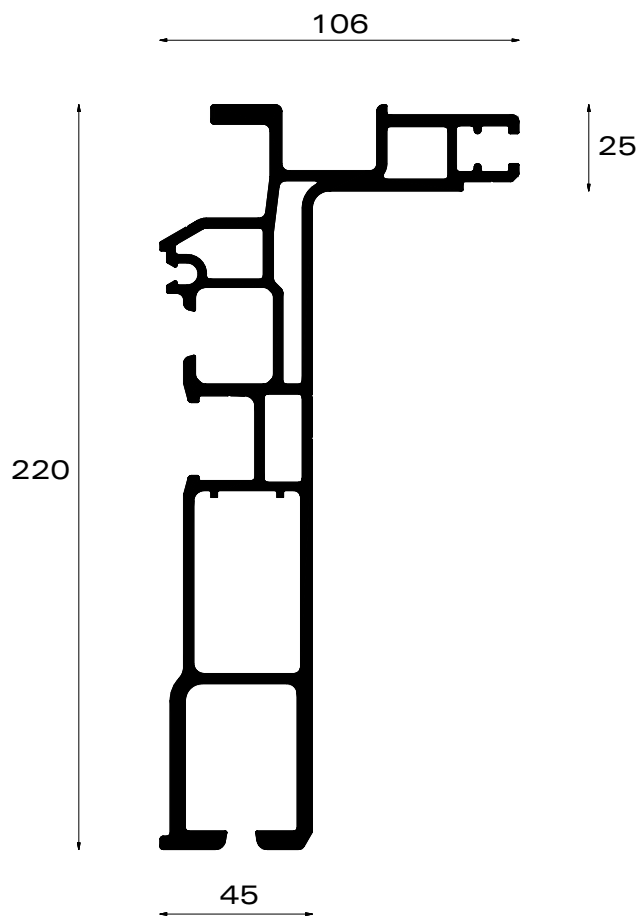
**TIR**



|          |                      |
|----------|----------------------|
| <b>1</b> | Euro rail            |
| <b>2</b> | Roof stick           |
| <b>3</b> | Collapsible backside |
| <b>4</b> | Back beam            |
| <b>5</b> | Roller               |
| <b>6</b> | Set mounting plates  |

|           |                 |
|-----------|-----------------|
| <b>7</b>  | PVC pelmet      |
| <b>8</b>  | Pillar bracket  |
| <b>9</b>  | Set accessories |
| <b>10</b> | Folding plate   |
| <b>11</b> | Carapax plate   |
| <b>12</b> | Pull bar        |

### 1 Euro rail



#### PART NR.

|                           |           |
|---------------------------|-----------|
| L = 8,5m                  | 162-21850 |
| * L = 13,6m               | 162-21136 |
| *profile with pre-bending |           |
| Ix : 1428cm <sup>4</sup>  |           |
| Iy : 167cm <sup>4</sup>   |           |
| ± 7,5 kg/m                |           |

### 2a Roof stick for sliding roof



#### PART NR.

|                              |           |
|------------------------------|-----------|
| SB=2550 - Type SP            | 224-01001 |
| SB=2550 - Type AS (Al)       | 224-03001 |
| SB=2550 - Type SP (TIR)      | 224-70001 |
| SB=2550 - Type AS (Al) (TIR) | 224-73001 |



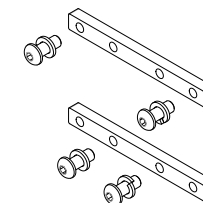
### 2b Roof stick for fixed roof with polyester cover



#### PART NR.



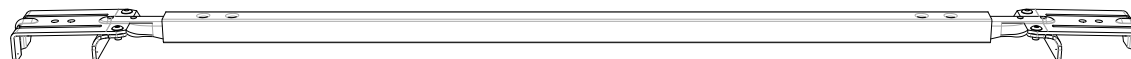
|                             |           |
|-----------------------------|-----------|
| SB=2550 - Type SP           | 224-21101 |
| SB=2550 - Type AS (Al)      | 224-23101 |
| Mounting set roof stick fix | 144-10048 |



\* Roof stick screwed to rail with bolts

\* 1 set/roof stick

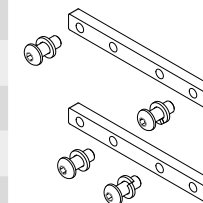
### 2c Roof stick for fixed roof with tarpaulin cover



#### PART NR.



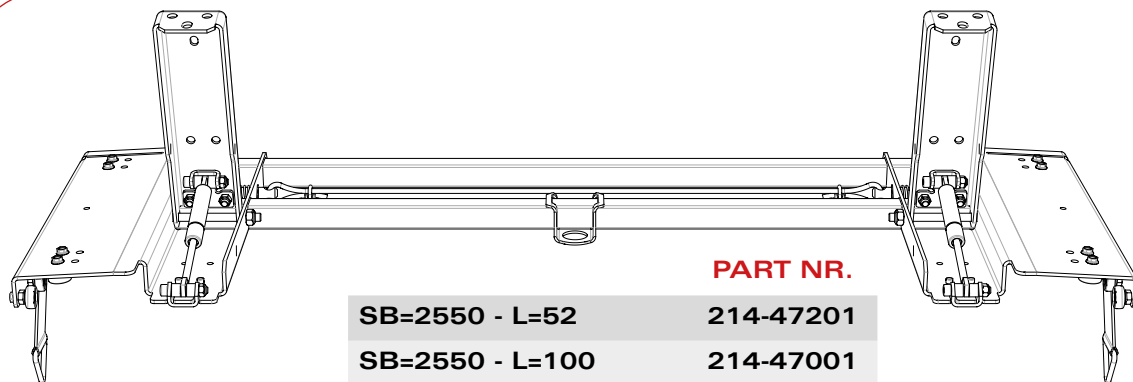
|                              |           |
|------------------------------|-----------|
| SB=2550 - Type SP            | 224-21211 |
| SB=2550 - Type AS (Al)       | 224-23211 |
| SB=2550 - Type SP (TIR)      | 224-70211 |
| SB=2550 - Type AS (Al) (TIR) | 224-73211 |
| Mounting set roof stick fix  | 144-10048 |



\* Roof stick screwed to rail with bolts

\* 1 set/roof stick

### 3a Collapsible backside



**PART NR.**

SB=2550 - L=52      214-47201

SB=2550 - L=100      214-47001



SB=2550 - L=52 (TIR)      214-77201

SB=2550 - L=100 (TIR)      214-77001

### 3b Collapsible backside for fixed roof with tarpaulin cover



**PART NR.**

SB=2550 - L=100      324-47001

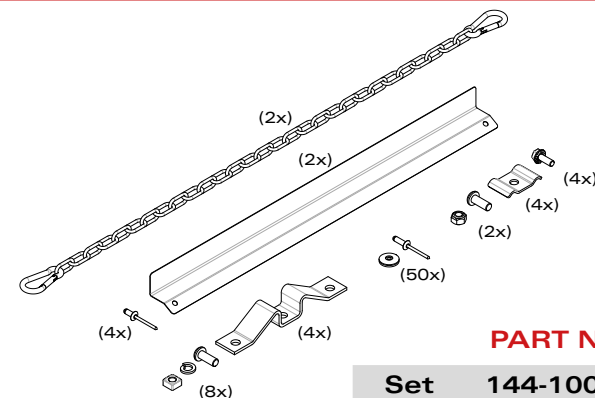
### Front header



**PART NR.**

SB=2550      234-21001

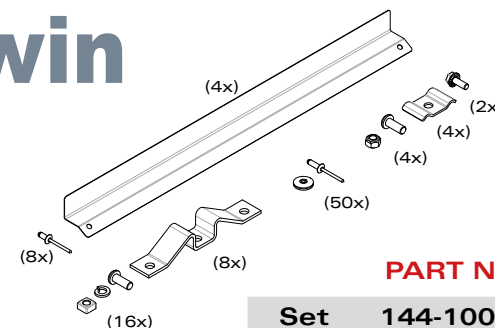
### 9a Set accessories



**PART NR.**

Set      144-10001

### 9b Set accessories Twin

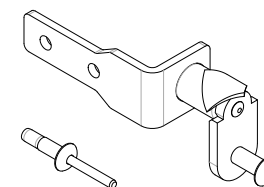


**PART NR.**

Set      144-10018

\* Euro Twin sliding roof: this set replaces the basic set accessories (144-10001)!

### 9c Set lock collapsible backside



**PART NR.**

Set      144-10086

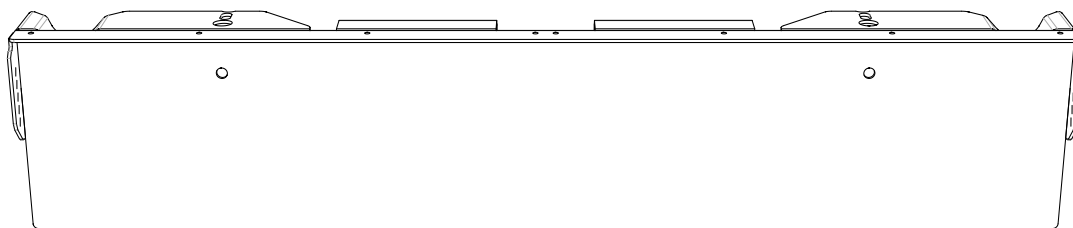
### 9d Set accessories external unlocking



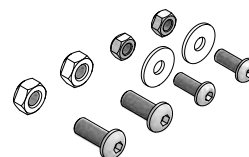
**PART NR.**

Set      144-10174

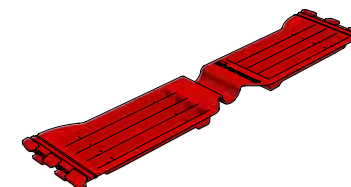
### 4a Back beam



|                | PART NR.  |
|----------------|-----------|
| SB=2550 - 208Z | 193-18001 |
| Mounting set   | 144-10022 |

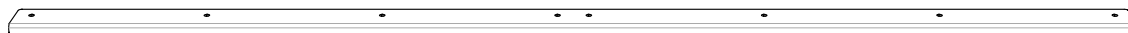


### 10 Folding plate



|          | PART NR.  |
|----------|-----------|
| Type 400 | 242-01004 |
| Type 500 | 242-01005 |
| Type 600 | 242-01006 |
| Type 700 | 242-01007 |
| Type 570 | 242-01057 |
| Type 650 | 242-01065 |

### Rain strip for back beam (4a)



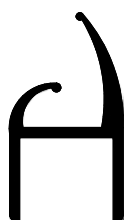
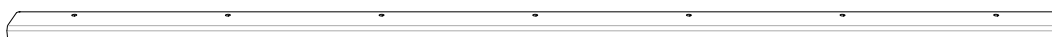
|         | PART NR.  |
|---------|-----------|
| SB=2550 | 192-01601 |

### 7 PVC pelmet (black)



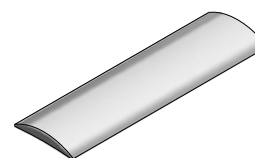
|         | PART NR.  |
|---------|-----------|
| L = 9m  | 242-13109 |
| L = 14m | 242-13114 |

### Rain strip for front header

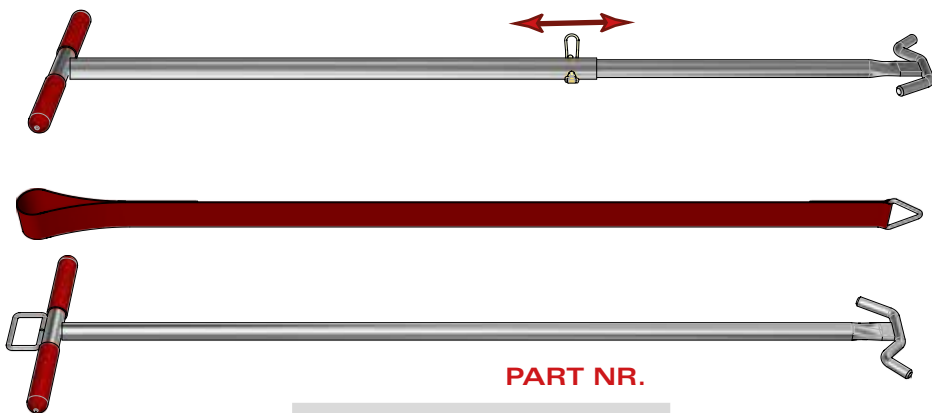


**ttwin**

|                                | PART NR.  |
|--------------------------------|-----------|
| Rain strip SB=2550             | 192-01606 |
| PVC pelmet L = 2,6m (black)    | 242-20001 |
| Mounting strip 30x5mm L = 2,6m | 292-07001 |

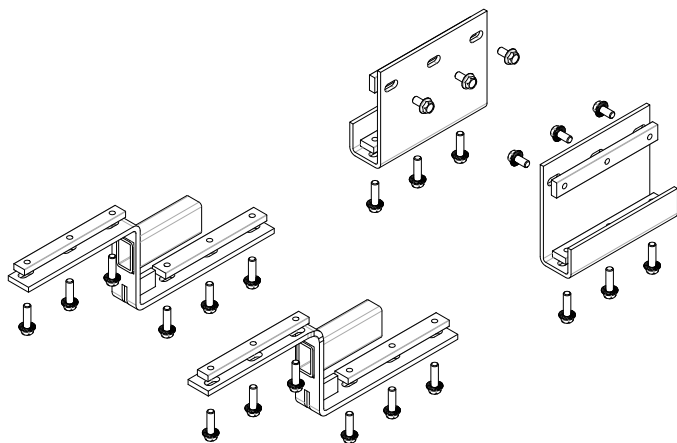


### 12 Pull bars & webbing



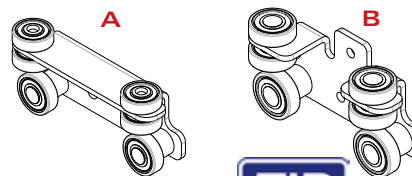
|            | PART NR.  |
|------------|-----------|
| Telescopic | 144-01006 |
| Webbing    | 144-01500 |
| Standard   | 144-01003 |

### 6 Set mounting plates



|  | PART NR.  |
|--|-----------|
|  | 154-03009 |

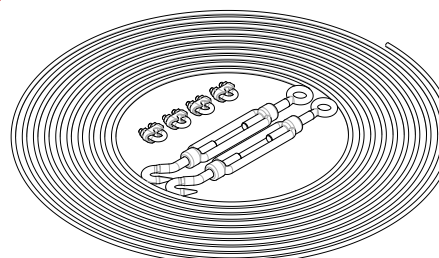
### 5 Sidecurtain roller



PART NR.

|            |           |
|------------|-----------|
| A Standard | 284-10001 |
| B TIR      | 284-10022 |

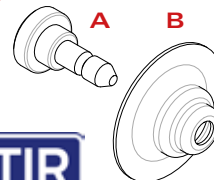
### TIR - set



PART NR.

144-10099

### TIR - pin & shell

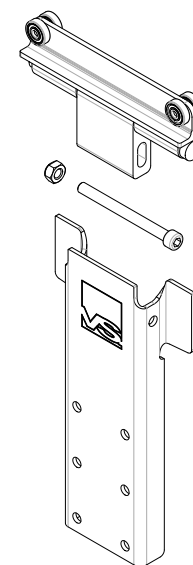


\* 2 / roof stick

PART NR.

|   |           |
|---|-----------|
| A | 292-70002 |
| B | 292-70007 |

### 8 Pillar bracket



PART NR.

|            |           |
|------------|-----------|
| Bracket    | 264-01001 |
| Bolt & nut | 144-10015 |
| Plate      | 262-05006 |

### 11 Carapax plate



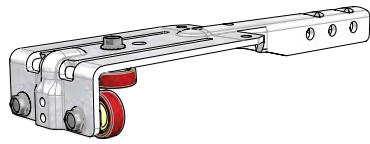
PART NR.

291-03004

\* only needed for roof with Carapax cover



## For roof sticks



**Assembled bracket**

**PART NR.**

**174-02001**



**Roller bearing plastic**

**PART NR.**

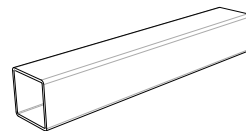
**132-01001**



**Bolt tensilock M6x16mm**

**PART NR.**

**091-23001**

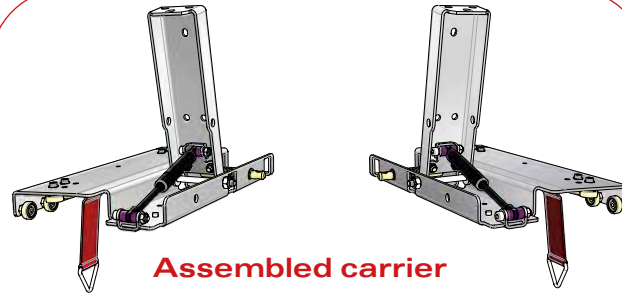


**Tube 30x30x1,5mm**

**PART NR.**

**L = 2185mm 112-01003**

## For collapsible backside

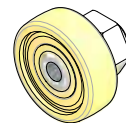


**Assembled carrier**

**PART NR.**

**Left 204-47201**

**Right 204-47202**



**Roller bearing steel**

**PART NR.**

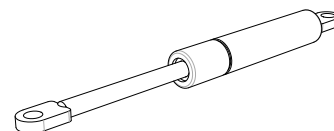
**132-03001**



**Bolt tensilock M6x16mm**

**PART NR.**

**091-23001**

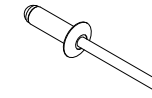


**Gas spring 700N**

**PART NR.**

**302-01001**

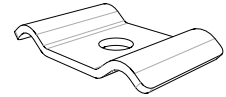
## For accessories set



**Rivet & washer**

**PART NR.**

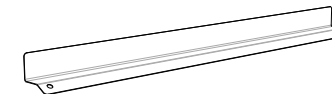
**50 pieces 144-10003**



**Rope clamp**

**PART NR.**

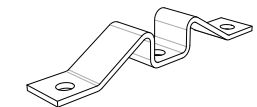
**292-01001**



**Protection plate**

**PART NR.**

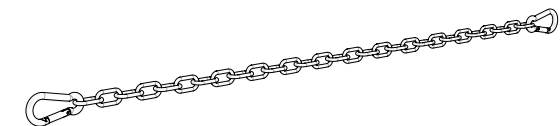
**142-06006**



**Locking nose**

**PART NR.**

**142-05002**

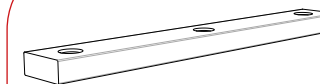


**Chain with 2 hooks**

**PART NR.**

**142-07001**

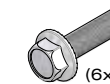
## For mounting set



**Mounting block**  
**PART NR.**

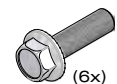
**25x10 152-02001**

**20x10 152-02006**



**Bolt tensilock**  
**M10x20mm**  
**PART NR.**

**091-23004**

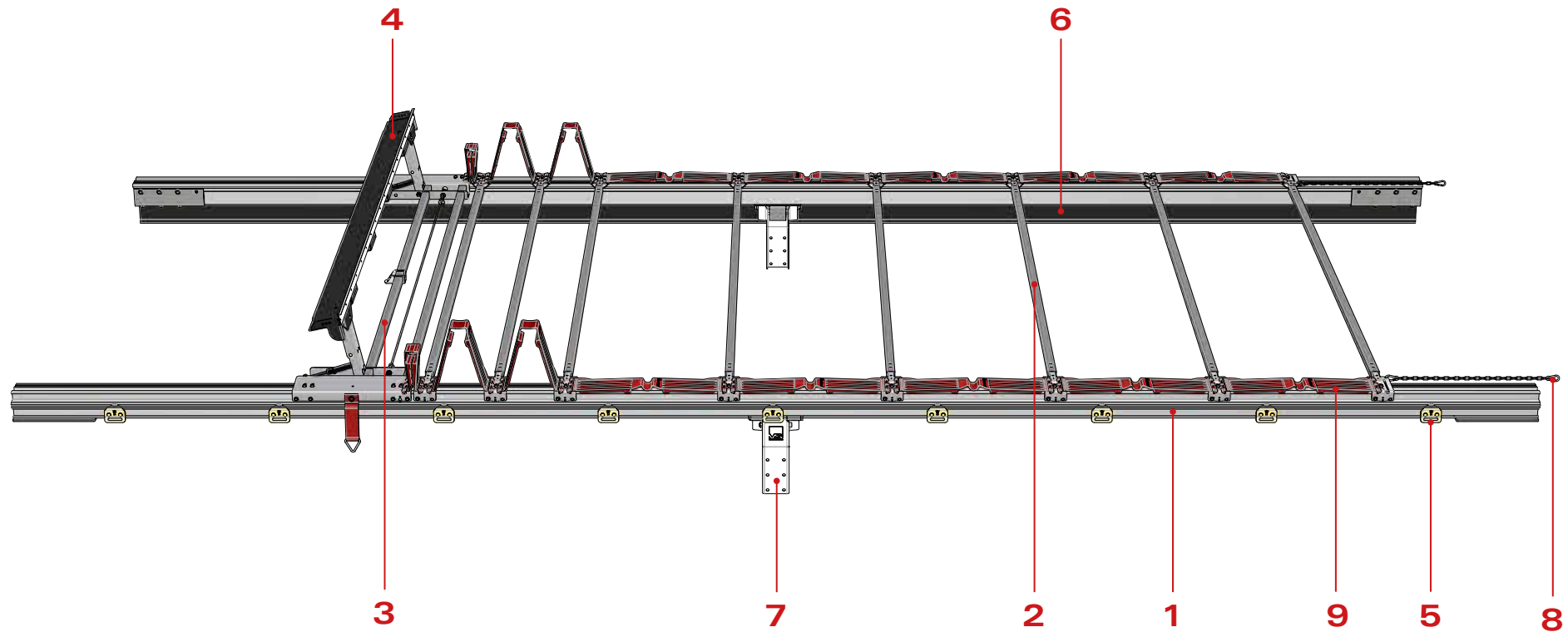


**Bolt tensilock**  
**M10x35mm**  
**PART NR.**

**091-23002**



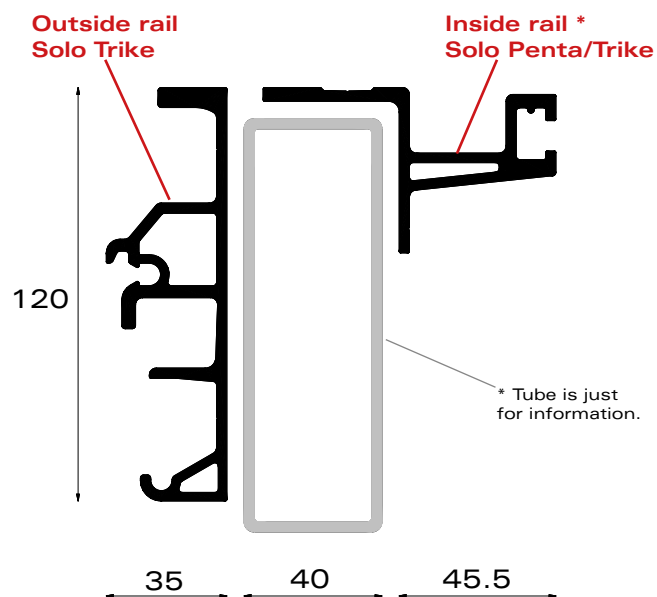




|          |                      |
|----------|----------------------|
| <b>1</b> | Solo rails           |
| <b>2</b> | Roof stick           |
| <b>3</b> | Collapsible backside |
| <b>4</b> | Back beam            |
| <b>5</b> | Trike roller         |
| <b>6</b> | PVC pelmet           |

|           |                 |
|-----------|-----------------|
| <b>7</b>  | Pillar bracket  |
| <b>8</b>  | Set accessories |
| <b>9</b>  | Folding plate   |
| <b>10</b> | Carapax plate   |
| <b>11</b> | Pull bar        |

### 1 Solo rails



#### PART NR.

|                     |           |
|---------------------|-----------|
| Rail (out) L = 7,8m | 162-42780 |
| Rail (out) L = 8,5m | 162-42850 |
| Rail (in) L = 7,8m  | 162-43780 |
| Rail (in) L = 8,5m  | 162-43850 |

#### Outside rail Solo Trike

lx : 119cm<sup>4</sup>  
ly : 9cm<sup>4</sup>  
± 2,5 kg/m

#### Inside rail Solo

lx : 9cm<sup>4</sup>  
ly : 33cm<sup>4</sup>  
± 1,8 kg/m

\* Inside rail serves for Solo Penta and Solo Trike

### 2a Roof stick for sliding roof



#### PART NR.

|                        |           |
|------------------------|-----------|
| SB=2550 - Type SP      | 224-39001 |
| SB=2550 - Type AS (Al) | 224-39021 |

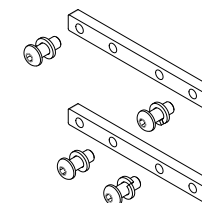
### 2b Roof stick for fixed roof with polyester cover



#### PART NR.



|                             |           |
|-----------------------------|-----------|
| SB=2550 - Type SP           | 224-39101 |
| SB=2550 - Type AS (Al)      | 224-39121 |
| Mounting set roof stick fix | 144-10049 |



\* Roof stick screwed to rail with bolts

\* 1 set/roof stick

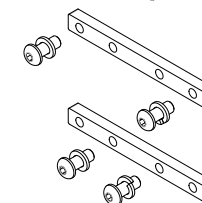
### 2c Roof stick for fixed roof with tarpaulin cover



#### PART NR.



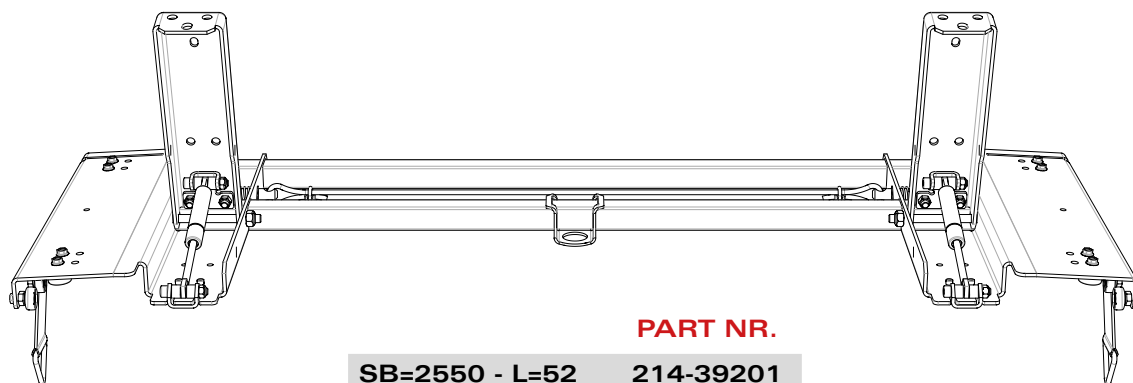
|                             |           |
|-----------------------------|-----------|
| SB=2550 - Type SP           | 224-39201 |
| SB=2550 - Type AS (Al)      | 224-39221 |
| Mounting set roof stick fix | 144-10049 |



\* Roof stick screwed to rail with bolts

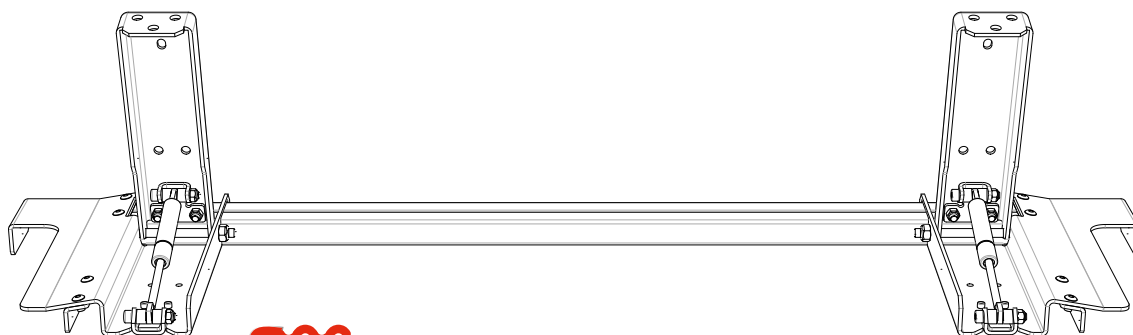
\* 1 set/roof stick

**3a Collapsible backside**



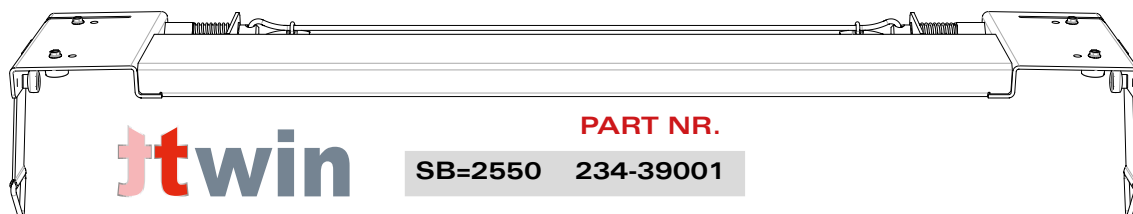
**PART NR.**  
SB=2550 - L=52    214-39201

**3b Collapsible backside for fixed roof with tarpaulin cover**



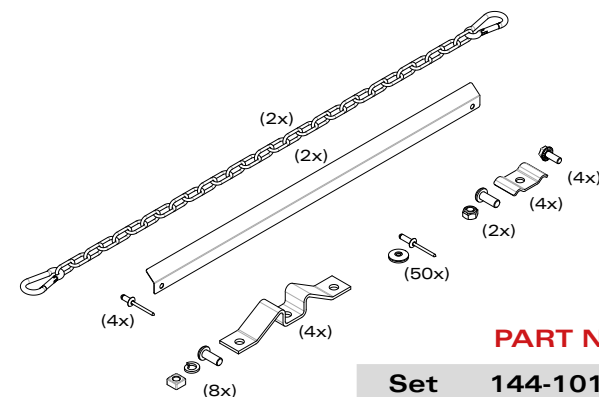
**PART NR.**  
SB=2550 - L=100    324-39201

**Front header**



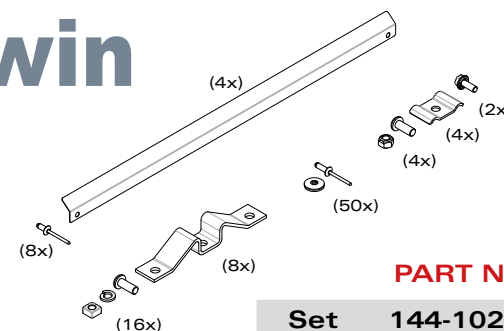
**PART NR.**  
SB=2550    234-39001

**9a Set accessories**



**PART NR.**  
Set    144-10148

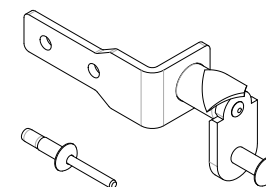
**9b Set accessories Twin**



**PART NR.**  
Set    144-10248

\* Solo Trike Twin sliding roof: this set replaces the basic set accessories (144-10001)!

**9c Set lock collapsible backside**



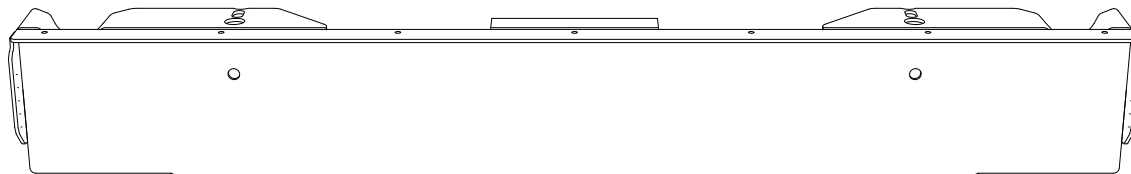
**PART NR.**  
Set    144-10086

**9d Set accessories external unlocking**

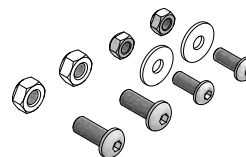


**PART NR.**  
Set    144-10174

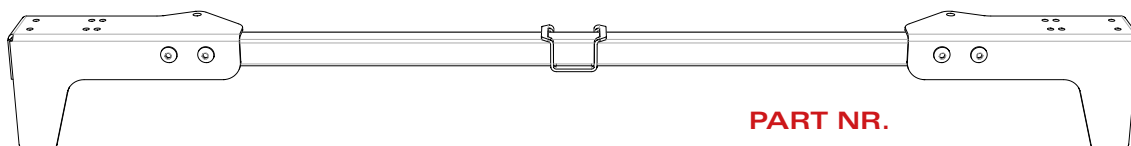
**4a Back beam**



|                | <b>PART NR.</b> |
|----------------|-----------------|
| SB=2550 - 145Z | 193-39001       |
| Mounting set   | 144-10022       |

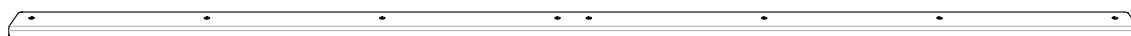


**4b Back beam**



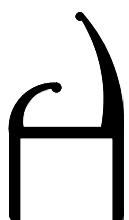
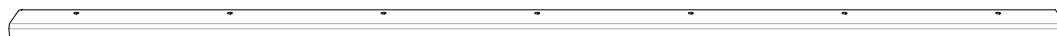
|                            | <b>PART NR.</b> |
|----------------------------|-----------------|
| Set back beam tube 30x30mm | 144-10037       |
| Tube 30x30x2mm             | 112-39001       |

**Rain strip for back beam (4a)**



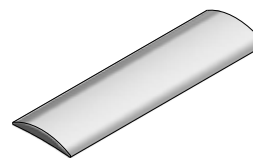
|         | <b>PART NR.</b> |
|---------|-----------------|
| SB=2550 | 192-01601       |

**Rain strip for front header**

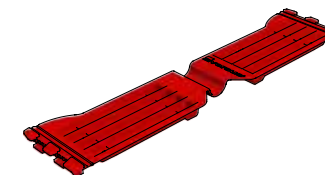


**ttwin**

|                                | <b>PART NR.</b> |
|--------------------------------|-----------------|
| Rain strip SB=2550             | 192-01606       |
| PVC pelmet L = 2,6m (black)    | 242-20001       |
| Mounting strip 30x5mm L = 2,6m | 292-07001       |

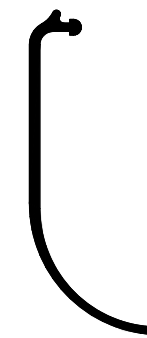


**9 Folding plate**



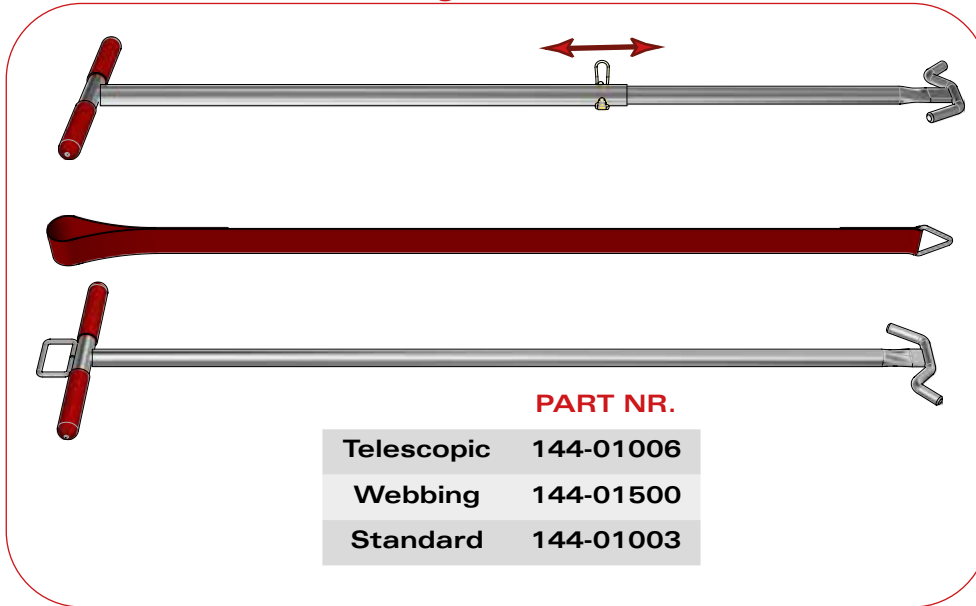
|          | <b>PART NR.</b> |
|----------|-----------------|
| Type 400 | 242-01004       |
| Type 500 | 242-01005       |
| Type 600 | 242-01006       |
| Type 700 | 242-01007       |
| Type 570 | 242-01057       |
| Type 650 | 242-01065       |

**6 PVC pelmet (black)**

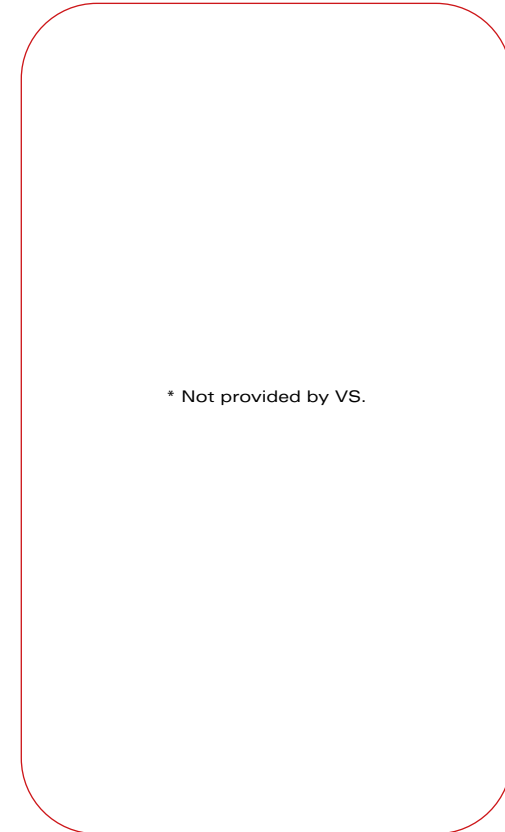


|         | <b>PART NR.</b> |
|---------|-----------------|
| L = 9m  | 242-02109       |
| L = 14m | 242-02114       |

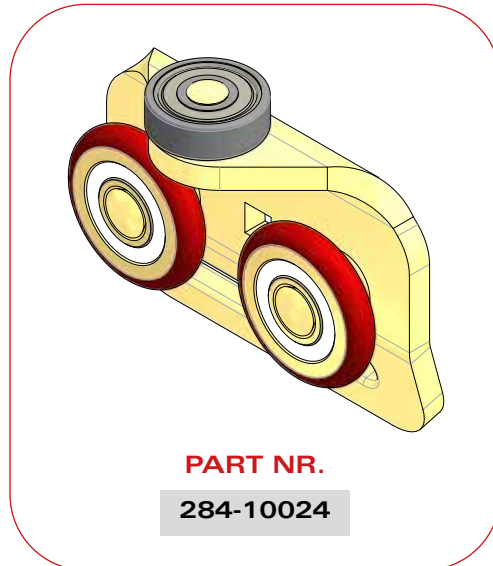
**11 Pull bars & webbing**



**7 Pillar bracket**



**5 Trike roller**

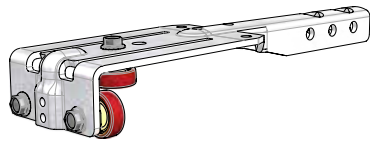


**10 Carapax plate**





## For roof sticks



**Assembled bracket**

**PART NR.**

**174-39001**



**Roller bearing plastic**

**PART NR.**

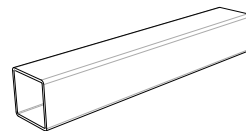
**132-01001**



**Bolt tensilock M6x16mm**

**PART NR.**

**091-23001**

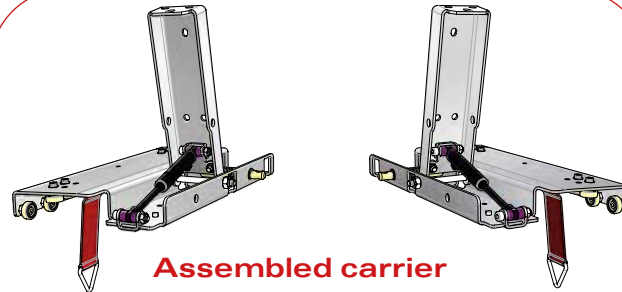


**Tube 30x30x1,5mm**

**PART NR.**

**L = 2185mm 112-01003**

## For collapsible backside

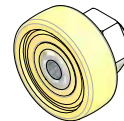


**Assembled carrier**

**PART NR.**

**Left 204-39201**

**Right 204-39202**



**Roller bearing steel**

**PART NR.**

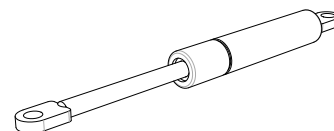
**132-03001**



**Bolt tensilock M6x16mm**

**PART NR.**

**091-23001**

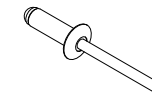


**Gas spring 700N**

**PART NR.**

**302-01001**

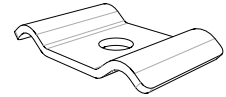
## For accessories set



**Rivet & washer**

**PART NR.**

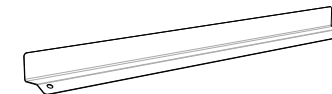
**50 pieces 144-10003**



**Rope clamp**

**PART NR.**

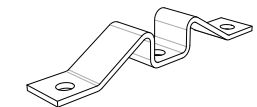
**292-01001**



**Protection plate**

**PART NR.**

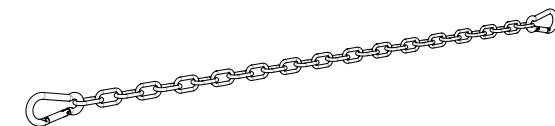
**142-06006**



**Locking nose**

**PART NR.**

**142-05002**



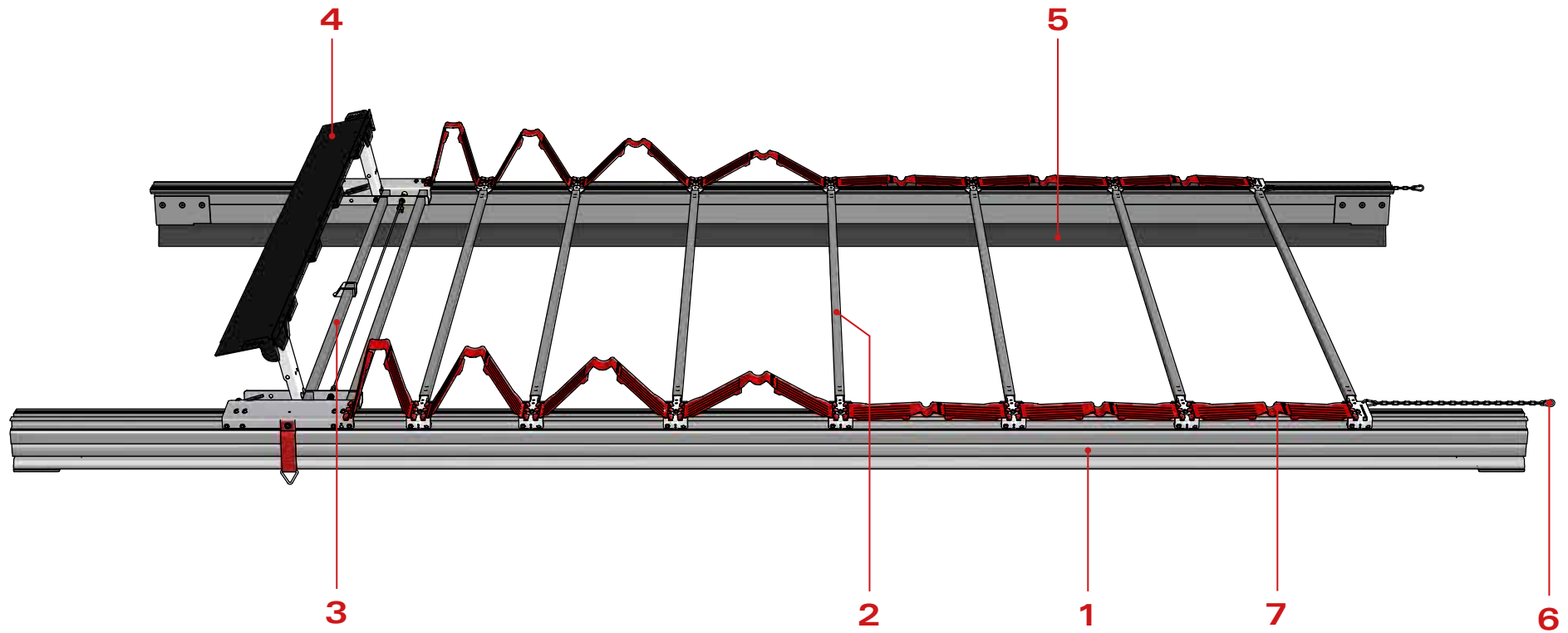
**Chain with 2 hooks**

**PART NR.**

**142-07001**





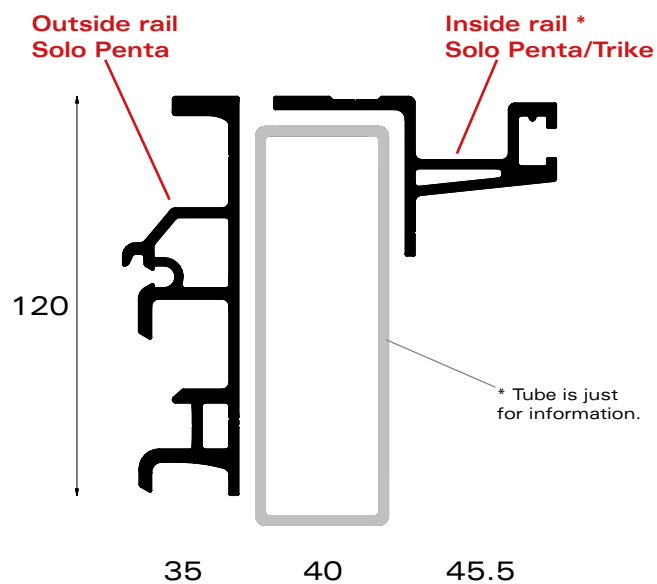


|          |                      |
|----------|----------------------|
| <b>1</b> | Solo rails           |
| <b>2</b> | Roof stick           |
| <b>3</b> | Collapsible backside |
| <b>4</b> | Back beam            |
| <b>5</b> | PVC pelmet           |

|           |                 |
|-----------|-----------------|
| <b>6</b>  | Set accessories |
| <b>7</b>  | Folding plate   |
| <b>8*</b> | Carapax plate   |
| <b>9*</b> | Pull bar        |

\* Not visible on the composition drawing above.

### 1 Solo rails



#### PART NR.

|                     |           |
|---------------------|-----------|
| Rail (out) L = 7,8m | 162-41780 |
| Rail (out) L = 8,5m | 162-41850 |
| Rail (in) L = 7,8m  | 162-43780 |
| Rail (in) L = 8,5m  | 162-43850 |

#### Outside rail Solo Penta

lx : 130cm<sup>4</sup>  
ly : 10cm<sup>4</sup>  
± 2,8 kg/m

#### Inside rail Solo

lx : 9cm<sup>4</sup>  
ly : 33cm<sup>4</sup>  
± 1,8 kg/m

\* Inside rail serves for Solo Penta and Solo Trike

### 2a Roof stick for sliding roof



#### PART NR.

|                        |           |
|------------------------|-----------|
| SB=2550 - Type SP      | 224-39001 |
| SB=2550 - Type AS (Al) | 224-39021 |

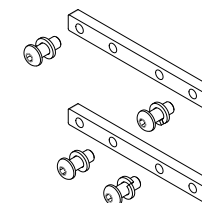
### 2b Roof stick for fixed roof with polyester cover



#### PART NR.



|                             |           |
|-----------------------------|-----------|
| SB=2550 - Type SP           | 224-39101 |
| SB=2550 - Type AS (Al)      | 224-39121 |
| Mounting set roof stick fix | 144-10049 |



\* Roof stick screwed to rail with bolts

\* 1 set/roof stick

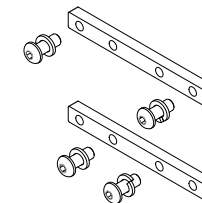
### 2c Roof stick for fixed roof with tarpaulin cover



#### PART NR.



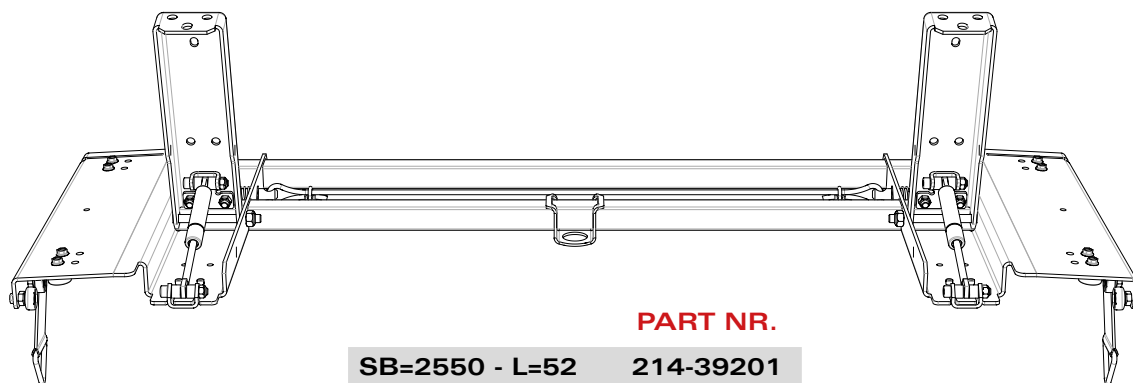
|                             |           |
|-----------------------------|-----------|
| SB=2550 - Type SP           | 224-39201 |
| SB=2550 - Type AS (Al)      | 224-39221 |
| Mounting set roof stick fix | 144-10049 |



\* Roof stick screwed to rail with bolts

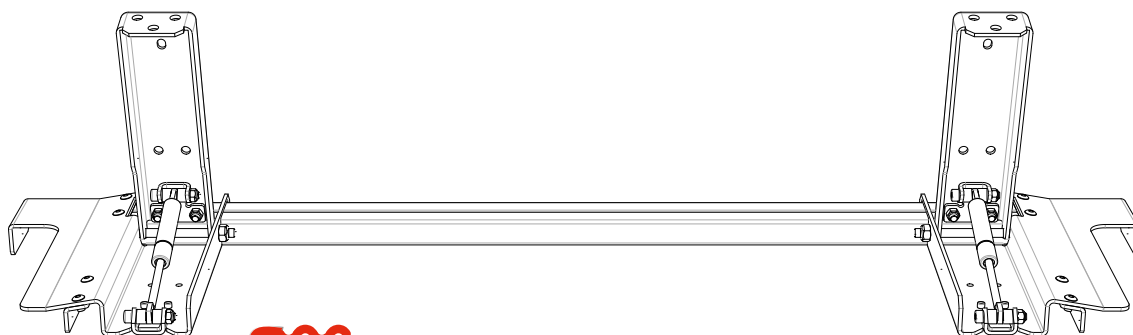
\* 1 set/roof stick

**3a Collapsible backside**



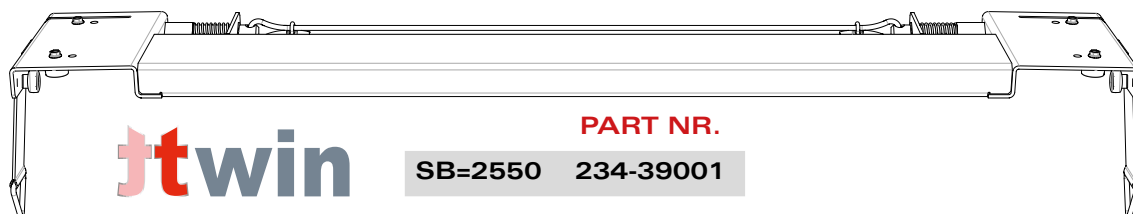
**PART NR.**  
SB=2550 - L=52 214-39201

**3b Collapsible backside for fixed roof with tarpaulin cover**



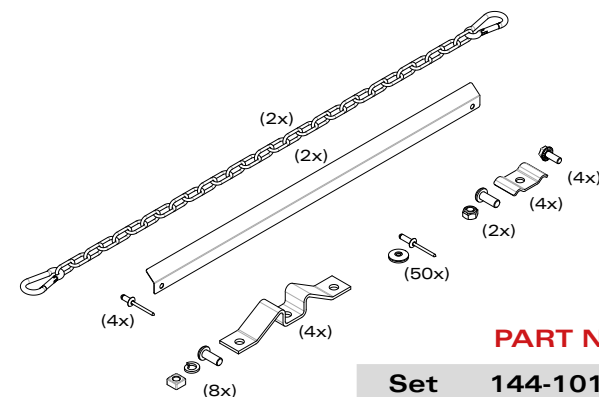
**PART NR.**  
SB=2550 - L=100 324-39201

**Front header**



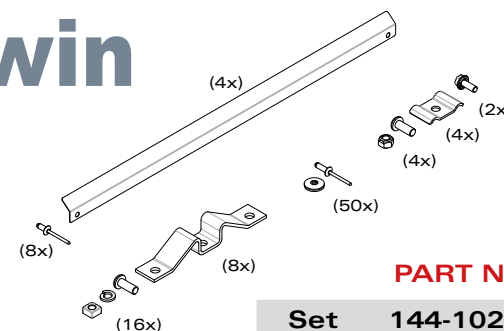
**PART NR.**  
SB=2550 234-39001

**6a Set accessories**



**PART NR.**  
Set 144-10148

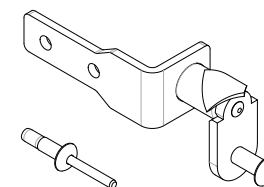
**6b Set accessories Twin**



**PART NR.**  
Set 144-10248

\* Solo Penta Twin sliding roof: this set replaces the basic set accessories (144-10001)!

**6c Set lock collapsible backside**



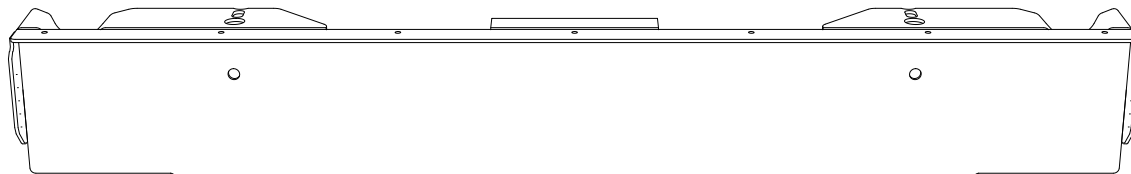
**PART NR.**  
Set 144-10086

**6d Set accessories external unlocking**

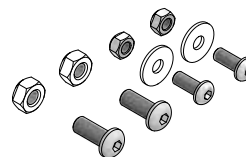


**PART NR.**  
Set 144-10174

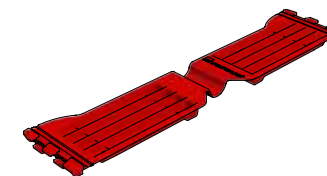
### 4a Back beam



|                | PART NR.  |
|----------------|-----------|
| SB=2550 - 145Z | 193-39001 |
| Mounting set   | 144-10022 |

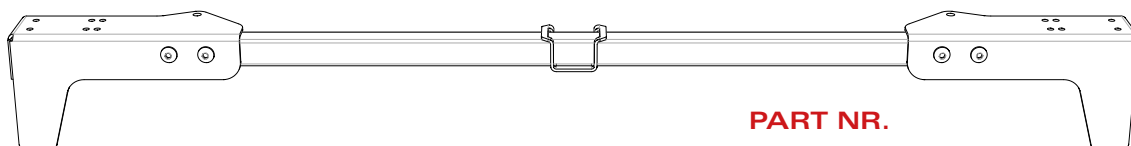


### 7 Folding plate



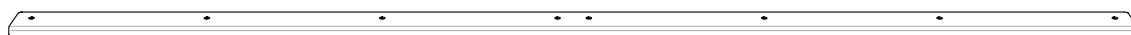
|          | PART NR.  |
|----------|-----------|
| Type 400 | 242-01004 |
| Type 500 | 242-01005 |
| Type 600 | 242-01006 |
| Type 700 | 242-01007 |
| Type 570 | 242-01057 |
| Type 650 | 242-01065 |

### 4b Back beam



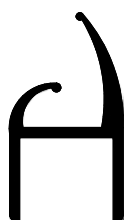
|                            | PART NR.  |
|----------------------------|-----------|
| Set back beam tube 30x30mm | 144-10037 |
| Tube 30x30x2mm             | 112-39001 |

### Rain strip for back beam (4a)



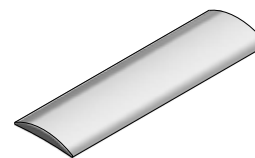
|         | PART NR.  |
|---------|-----------|
| SB=2550 | 192-01601 |

### Rain strip for front header



**ttwin**

|                                | PART NR.  |
|--------------------------------|-----------|
| Rain strip SB=2550             | 192-01606 |
| PVC pelmet L = 2,6m (black)    | 242-20001 |
| Mounting strip 30x5mm L = 2,6m | 292-07001 |

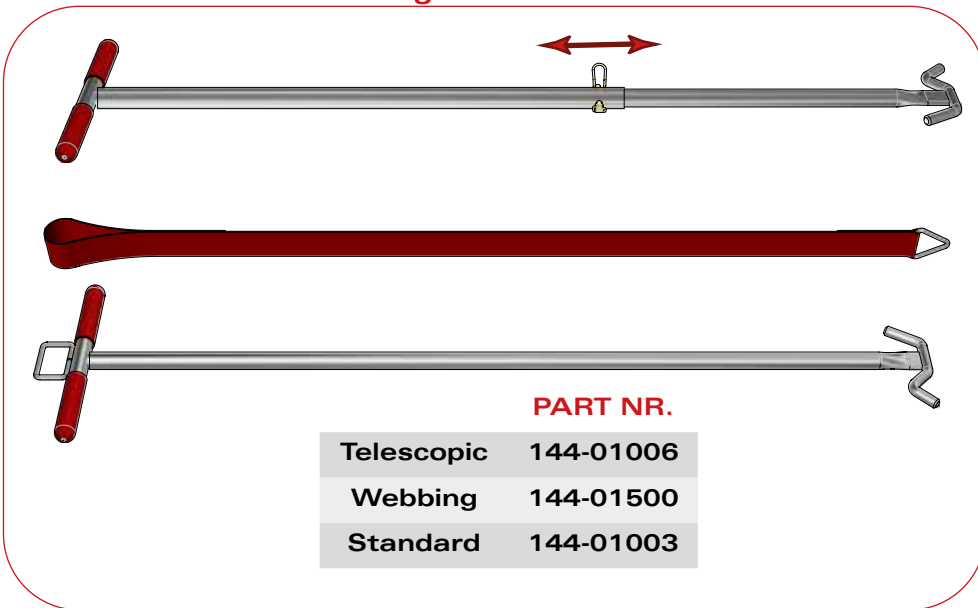


### 5 PVC pelmet (black)



|         | PART NR.  |
|---------|-----------|
| L = 9m  | 242-02109 |
| L = 14m | 242-02114 |

**9 Pull bars & webbing**



**8 Carapax plate**



**PART NR.**  
**291-03004**

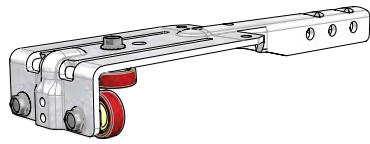
\* only needed for roof with Carapax cover

**Roller**

\* Please see chapter Penta Slider Systems for options!



## For roof sticks



**Assembled bracket**

**PART NR.**

**174-39001**



**Roller bearing plastic**

**PART NR.**

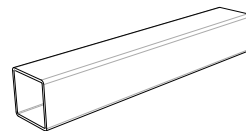
**132-01001**



**Bolt tensilock M6x16mm**

**PART NR.**

**091-23001**

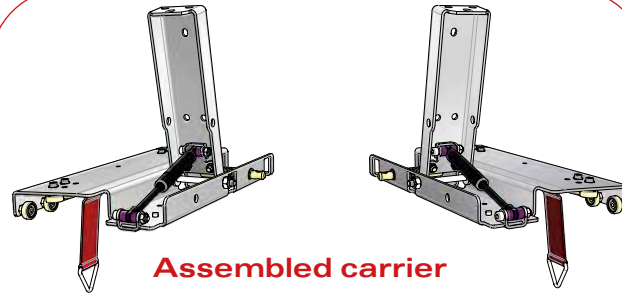


**Tube 30x30x1,5mm**

**PART NR.**

**L = 2185mm 112-01003**

## For collapsible backside

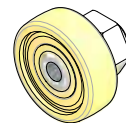


**Assembled carrier**

**PART NR.**

**Left 204-39201**

**Right 204-39202**



**Roller bearing steel**

**PART NR.**

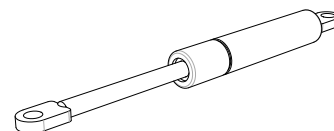
**132-03001**



**Bolt tensilock M6x16mm**

**PART NR.**

**091-23001**

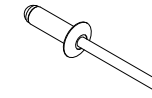


**Gas spring 700N**

**PART NR.**

**302-01001**

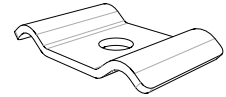
## For accessories set



**Rivet & washer**

**PART NR.**

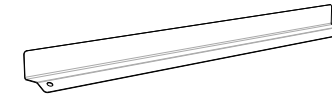
**50 pieces 144-10003**



**Rope clamp**

**PART NR.**

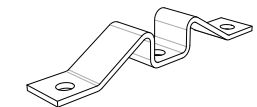
**292-01001**



**Protection plate**

**PART NR.**

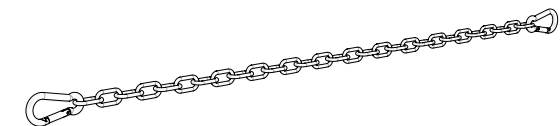
**142-06006**



**Locking nose**

**PART NR.**

**142-05002**



**Chain with 2 hooks**

**PART NR.**

**142-07001**



# options & variations

---

Page

Roof sticks 124

Back beams 130

PVC pelmets 134

# options & variations for **roof sticks**

## Roof stick for sliding roof



|                   | Steel 30x30 | Al 30x40  |
|-------------------|-------------|-----------|
| SB=2550 - pressed | 224-01001   |           |
| SB=2550 - bolted  |             | 224-03001 |
| SB=Spec - pressed | 224-01003   |           |
| SB=Spec - bolted  | 224-02003   | 224-03003 |

alto **Trike**  
 alto **Trike Light**  
 duo **Trike**  
 duo **Trike Light**  
 kubus **Trike**  
 kubus **Trike Light**

micro **Trike**  
 alto **Penta**  
 duo **Penta**  
 pico  
 euro

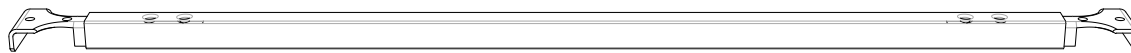
## Roof stick for sliding roof with anti-fly hook



|                   | Steel 30x30 | Al 30x40  |
|-------------------|-------------|-----------|
| SB=2550 - pressed | 224-91001   |           |
| SB=2550 - bolted  |             | 224-93001 |
| SB=Spec - pressed | 224-91003   |           |
| SB=Spec - bolted  | 224-92003   | 224-93003 |

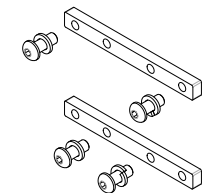
alto **Trike**  
 duo **Trike**  
 kubus **Trike**  
 alto **Penta**

## Roof stick for fixed roof with polyester cover fixed to the rail with bolts



|                             | Steel 30x30 | Al 30x40  |
|-----------------------------|-------------|-----------|
| SB=2550 - pressed           | 224-41101   |           |
| SB=2550 - bolted            |             | 224-43101 |
| SB=Spec - pressed           | 224-41103   |           |
| SB=Spec - bolted            | 224-42103   | 224-43103 |
| Mounting set roof stick fix | 144-10048   |           |

alto **Trike Light**  
 duo **Trike Light**  
 kubus **Trike Light**  
 micro **Trike**  
 duo **Penta**



\* 1 set/roof stick

## Roof stick for fixed roof with tarpaulin cover fixed to the rail with monobolts



|                   | Steel 30x30 | Al 30x40  |
|-------------------|-------------|-----------|
| SB=2550 - pressed | 224-41201   |           |
| SB=2550 - bolted  |             | 224-43201 |
| SB=Spec - pressed | 224-41203   |           |
| SB=Spec - bolted  | 224-42203   | 224-43203 |

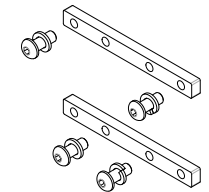
alto **Trike**  
 duo **Trike**  
 kubus **Trike**  
 alto **Penta**

## Roof stick for fixed roof with tarpaulin cover fixed to the rail with bolts



|                             | Steel 30x30 | Al 30x40  |
|-----------------------------|-------------|-----------|
| SB=2550 - pressed           | 224-41211   |           |
| SB=2550 - bolted            |             | 224-43211 |
| SB=Spec - pressed           | 224-41213   |           |
| SB=Spec - bolted            | 224-42213   | 224-43213 |
| Mounting set roof stick fix | 144-10048   |           |

alto **Trike Light**  
 duo **Trike Light**  
 kubus **Trike Light**  
 micro **Trike**  
 duo **Penta**



\* 1 set/roof stick

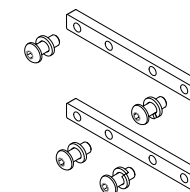
## options & variations for **roof sticks**

### Roof stick for fixed roof with polyester cover fixed to the rail with bolts



|                             | Steel 30x30 | Al 30x40  |
|-----------------------------|-------------|-----------|
| SB=2550 - pressed           | 224-01101   |           |
| SB=2550 - bolted            |             | 224-03101 |
| SB=Spec - pressed           | 224-01103   |           |
| SB=Spec - bolted            | 224-02103   | 224-03103 |
| Mounting set roof stick fix | 144-10048   |           |

pico



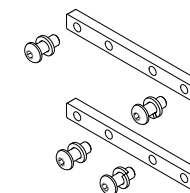
\* 1 set/roof stick

### Roof stick for fixed roof with tarpaulin cover fixed to the rail with bolts



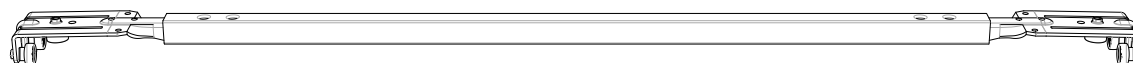
|                             | Steel 30x30 | Al 30x40  |
|-----------------------------|-------------|-----------|
| SB=2550 - pressed           | 224-01211   |           |
| SB=2550 - bolted            |             | 224-03211 |
| SB=Spec - pressed           | 224-01213   |           |
| SB=Spec - bolted            | 224-02213   | 224-03213 |
| Mounting set roof stick fix | 144-10048   |           |

pico



\* 1 set/roof stick

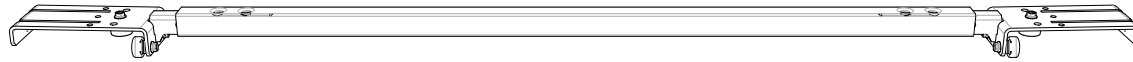
### Roof stick for sliding roof



|                   | Steel 30x30 | Al 30x40  |
|-------------------|-------------|-----------|
| SB=2550 - pressed | 224-30001   |           |
| SB=2550 - bolted  |             | 224-33001 |
| SB=Spec - pressed | 224-30003   |           |
| SB=Spec - bolted  | 224-32003   | 224-33003 |

ferro

**Roof stick for sliding roof**



|                   | Steel 30x30 | Al 30x40  |
|-------------------|-------------|-----------|
| SB=2550 - pressed | 224-01031   |           |
| SB=2550 - bolted  |             | 224-03031 |
| SB=Spec - pressed | 224-01033   |           |
| SB=Spec - bolted  | 224-02033   | 224-03033 |

plano

**Roof stick for fixed roof with tarpaulin cover fixed to the rail with monobolts**



|                   | Steel 30x30 | Al 30x40  |
|-------------------|-------------|-----------|
| SB=2550 - pressed | 224-01231   |           |
| SB=2550 - bolted  |             | 224-03231 |
| SB=Spec - pressed | 224-01233   |           |
| SB=Spec - bolted  | 224-02233   | 224-03233 |

plano

**Roof stick for fixed roof with polyester cover fixed to the rail with monobolts**



|                   | Steel 30x30 |
|-------------------|-------------|
| SB=2550 - riveted | 224-02161   |
| SB=Spec - riveted | 224-02163   |

plano

# options & variations for **roof sticks**

## Roof stick for sliding roof with TIR-protection



|                   | Steel 30x30 | Al 30x40  |
|-------------------|-------------|-----------|
| SB=2550 - pressed | 224-70001   |           |
| SB=2550 - bolted  |             | 224-73001 |
| SB=Spec - pressed | 224-70003   |           |
| SB=Spec - bolted  | 224-72003   | 224-73003 |

euro

## Roof stick for fixed roof with polyester cover fixed to the rail with bolts

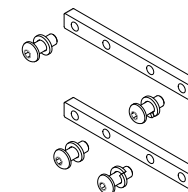


+



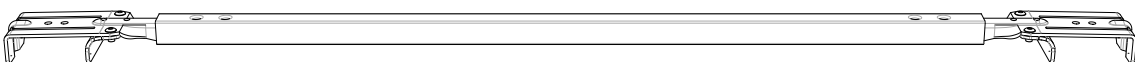
|                             | Steel 30x30 | Al 30x40  |
|-----------------------------|-------------|-----------|
| SB=2550 - pressed           | 224-21101   |           |
| SB=2550 - bolted            |             | 224-23101 |
| SB=Spec - pressed           | 224-21103   |           |
| SB=Spec - bolted            | 224-22103   | 224-23103 |
| Mounting set roof stick fix | 144-10048   |           |

euro



\* 1 set/roof stick

## Roof stick for fixed roof with tarpaulin cover fixed to the rail with bolts

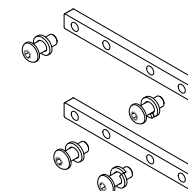


+



|                             | Steel 30x30 | Al 30x40  |
|-----------------------------|-------------|-----------|
| SB=2550 - pressed           | 224-70211   |           |
| SB=2550 - bolted            |             | 224-73101 |
| SB=Spec - pressed           | 224-70213   |           |
| SB=Spec - bolted            | 224-72213   | 224-73103 |
| Mounting set roof stick fix | 144-10048   |           |

euro



\* 1 set/roof stick



## Roof stick for sliding roof



|                   | Steel 30x30 | Al 30x40  |
|-------------------|-------------|-----------|
| SB=2550 - pressed | 224-39001   |           |
| SB=2550 - bolted  |             | 224-39021 |
| SB=Spec - pressed | 224-39003   |           |
| SB=Spec - bolted  | 224-39303   | 224-39023 |

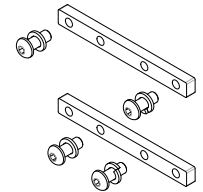
solo **Trike**  
solo **Penta**

## Roof stick for fixed roof with polyester cover fixed to the rail with bolts



|                             | Steel 30x30 | Al 30x40  |
|-----------------------------|-------------|-----------|
| SB=2550 - pressed           | 224-39101   |           |
| SB=2550 - bolted            |             | 224-39121 |
| SB=Spec - pressed           | 224-39103   |           |
| SB=Spec - bolted            | 224-39123   | 224-39133 |
| Mounting set roof stick fix | 144-10049   |           |

solo **Trike**  
solo **Penta**



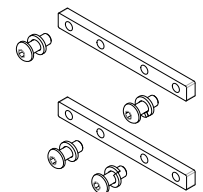
\* 1 set/roof stick

## Roof stick for fixed roof with tarpaulin cover fixed to the rail with bolts



|                             | Steel 30x30 | Al 30x40  |
|-----------------------------|-------------|-----------|
| SB=2550 - pressed           | 224-39201   |           |
| SB=2550 - bolted            |             | 224-39221 |
| SB=Spec - pressed           | 224-39203   |           |
| SB=Spec - bolted            | 224-39213   | 224-39223 |
| Mounting set roof stick fix | 144-10049   |           |

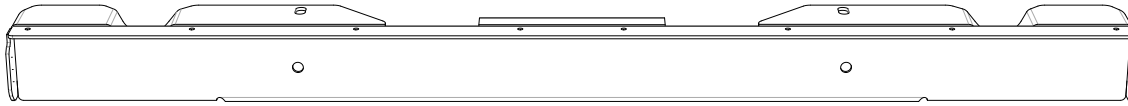
solo **Trike**  
solo **Penta**



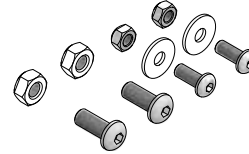
\* 1 set/roof stick

## options & variations for **back beams**

### Back beam - 80Z

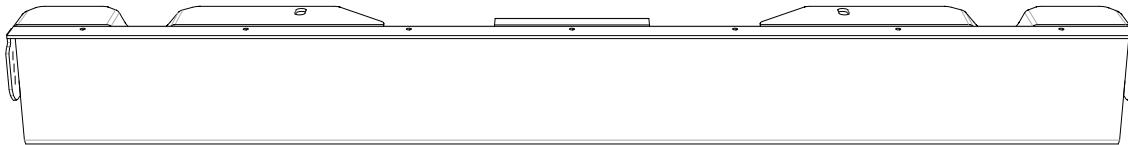


|              | <b>PART NR.</b> |
|--------------|-----------------|
| SB=2550      | 193-05031       |
| SB=Spec      | 193-05033       |
| Mounting set | 144-10022       |

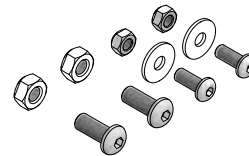


plano

### Back beam - 125Z

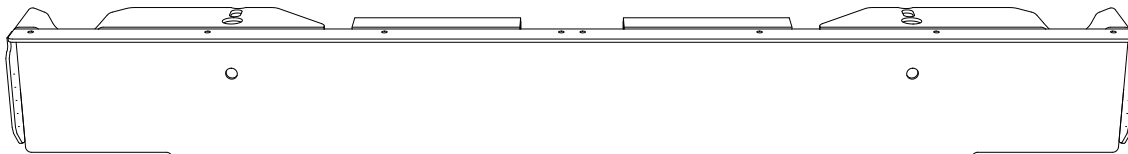


|              | <b>PART NR.</b> |
|--------------|-----------------|
| SB=2550      | 193-11031       |
| SB=Spec      | 193-11033       |
| Mounting set | 144-10022       |

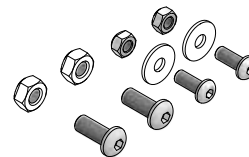


plano

### Back beam - 125Z

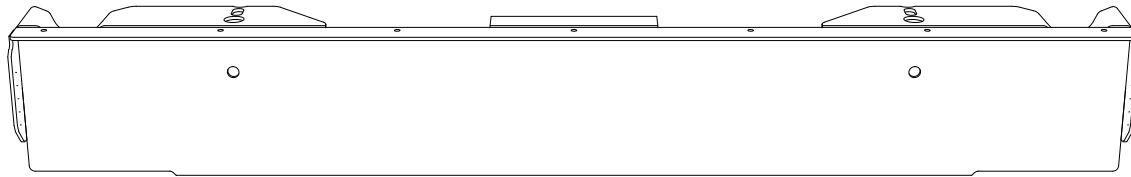


|              | <b>PART NR.</b> |
|--------------|-----------------|
| SB=2550      | 193-11001       |
| SB=Spec      | 193-11003       |
| Mounting set | 144-10022       |

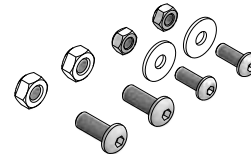


kubus **Trike**  
kubus **Trike Light**  
micro **Trike**  
pico

**Back beam - 145Z**

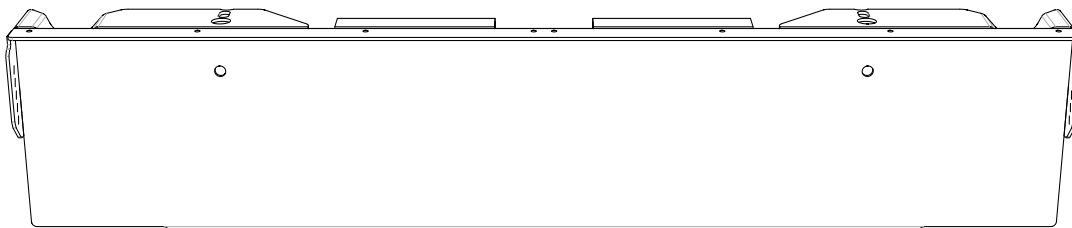


|              | <b>PART NR.</b> |
|--------------|-----------------|
| SB=2550      | 193-14001       |
| SB=Spec      | 193-14003       |
| Mounting set | 144-10022       |

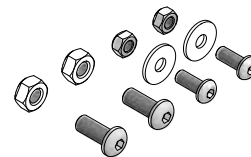


duo **Trike**  
 duo **Trike Light**  
 duo **Penta**  
 solo **Trike**  
 solo **Penta**

**Back beam - 208Z**



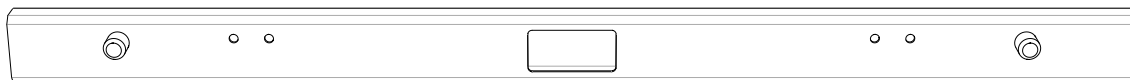
|              | <b>PART NR.</b> |
|--------------|-----------------|
| SB=2550      | 193-18001       |
| SB=Spec      | 193-18003       |
| Mounting set | 144-10022       |



alto **Trike**  
 alto **Trike Light**  
 alto **Penta**  
 euro

## options & variations for **back beams**

### Back beam 80x40mm



#### PART NR.

|                            |           |
|----------------------------|-----------|
| Set back beam tube 80x40mm | 144-10004 |
| SB=2550 - Tube 80x40x3mm   | 193-08031 |
| SB=Spec - Tube 80x40x3mm   | 193-08033 |

plano

### Back beam 120x40mm

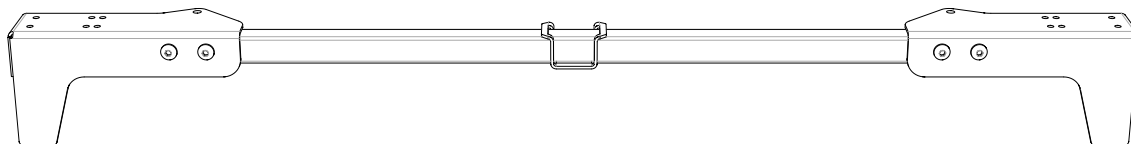


#### PART NR.

|                             |           |
|-----------------------------|-----------|
| Set back beam tube 120x40mm | 144-10004 |
| SB=2550 - Tube 120x40x3mm   | 193-39121 |
| SB=Spec - Tube 120x40x3mm   | 193-39123 |

solo **Trike**  
solo **Penta**

**Back beam 30x30mm**



**PART NR.**

|                            |           |
|----------------------------|-----------|
| Set back beam tube 30x30mm | 144-10037 |
| SB=2550 - Tube 30x30x2mm   | 112-07001 |
| SB=Spec - Tube 30x30x2mm   | 112-07003 |

alto **Trike**

alto **Trike Light**

duo **Trike**

duo **Trike Light**

kubus **Trike**

kubus **Trike Light**

micro **Trike**

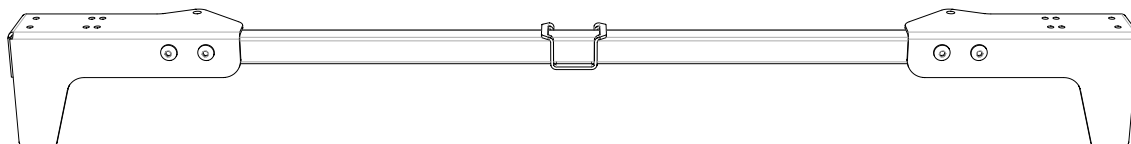
alto **Penta**

duo **Penta**

pico

ferro

**Back beam 30x30mm**



**PART NR.**

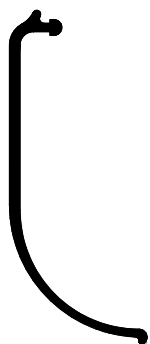
|                            |           |
|----------------------------|-----------|
| Set back beam tube 30x30mm | 144-10037 |
| SB=2550 - Tube 30x30x2mm   | 112-39001 |
| SB=Spec - Tube 30x30x2mm   | 112-39003 |

solo **Trike**

solo **Penta**

# options & variations for **PVC pelmets**

**PVC pelmet 02**



**PART NR.**

L = 9m (grey) 242-02009

L = 15m (grey) 242-02015

L = 9m (black) 242-02109

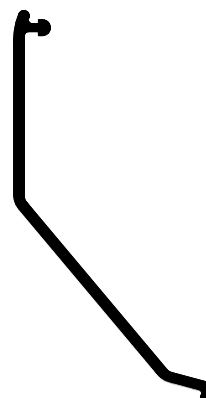
L = 14m (black) 242-02114

duo **Penta**

solo **Penta**

solo **Trike**

**PVC pelmet 12**



**PART NR.**

L = 9m (grey) 242-12009

L = 14m (grey) 242-12014

L = 15m (grey) 242-12015

L = 9m (black) 242-12109

L = 14m (black) 242-12114

L = 15m (black) 242-12115

L = 20m (black) 242-12120

L = 14m (white) 242-12214

kubus **Trike**

kubus **Trike Light**

plano

**PVC pelmet 13**



**PART NR.**

L = 9m (grey) 242-13009

L = 14m (grey) 242-13014

L = 9m (black) 242-13109

L = 14m (black) 242-13114

L = 15m (black) 242-13115

euro

**PVC pelmet 14**



**PART NR.**

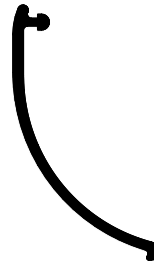
|                |           |
|----------------|-----------|
| L = 9m (grey)  | 242-14009 |
| L = 14m (grey) | 242-14014 |

|                 |           |
|-----------------|-----------|
| L = 9m (black)  | 242-14109 |
| L = 14m (black) | 242-14114 |
| L = 16m (black) | 242-14116 |
| L = 21m (black) | 242-14121 |
| L = 28m (black) | 242-14128 |

---

alto **Trike**  
 alto **Trike Light**  
 duo **Trike**  
 duo **Trike Light**

**PVC pelmet 15**



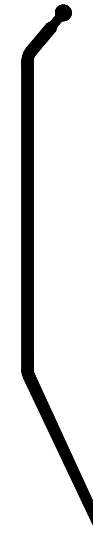
**PART NR.**

|                 |           |
|-----------------|-----------|
| L = 9m (black)  | 242-15109 |
| L = 14m (black) | 242-15114 |

---

micro **Trike**  
 plano

**PVC pelmet 16**



**PART NR.**

|                 |           |
|-----------------|-----------|
| L = 9m (black)  | 242-16109 |
| L = 14m (black) | 242-16114 |

---

alto **Penta**







---

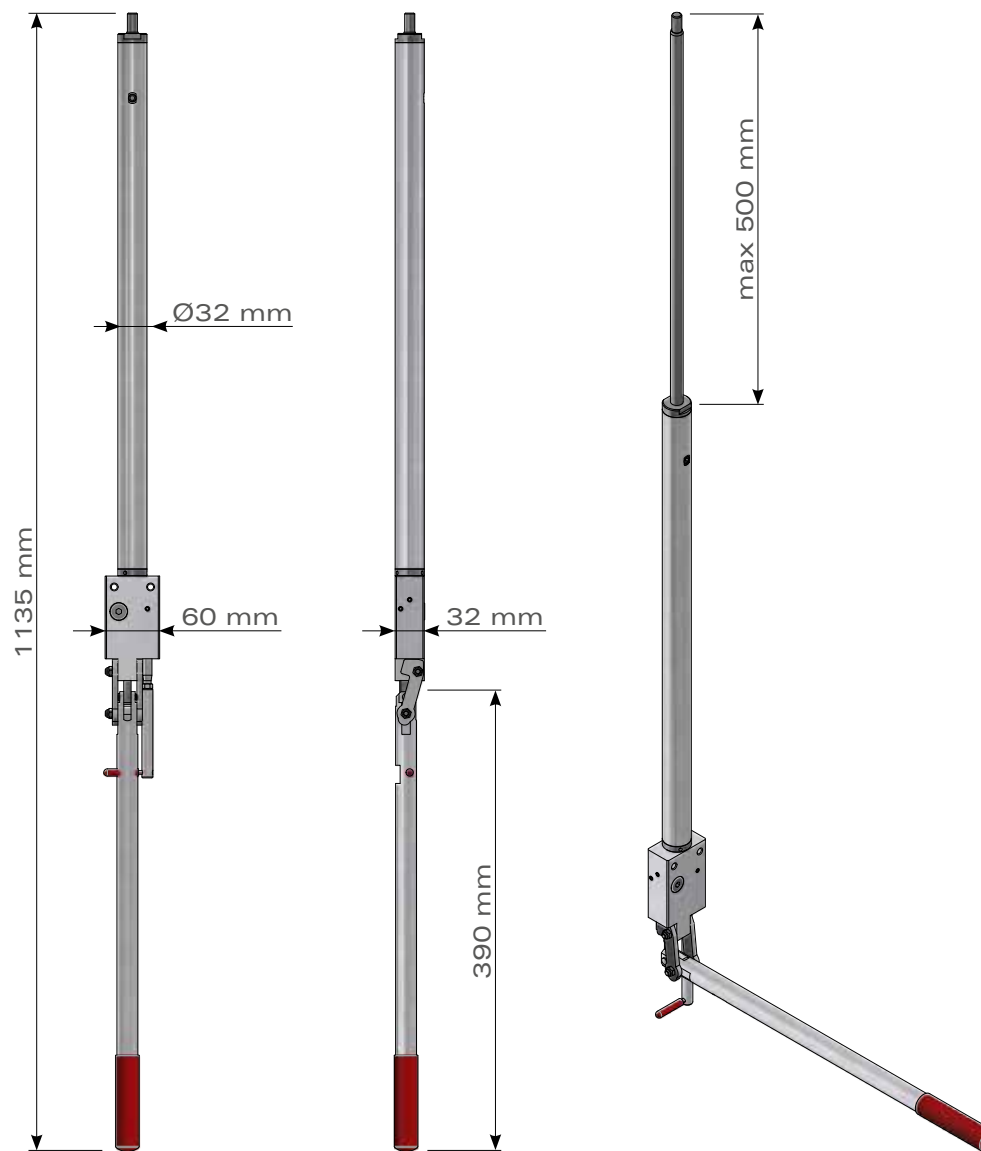
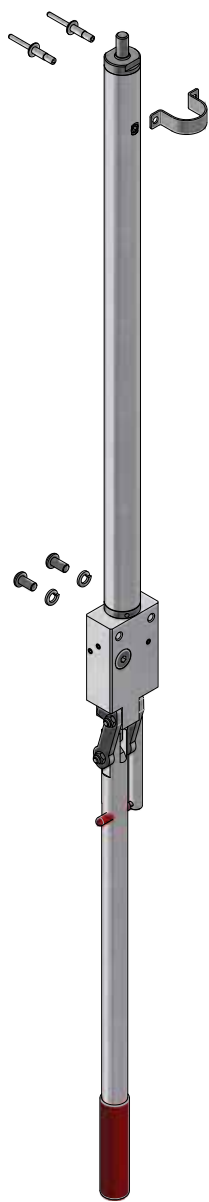
| Type of lifting system | Page |
|------------------------|------|
| Hydraman               | 138  |
| Hydratwin              | 140  |
| Hydramatic             | 142  |
| Set connect            | 152  |
| Set lift & drive       | 154  |



# axceshydraman

lifting systems by versus





**PART NR.**

**Hydraman 500**

**802-01007**

- \* Each Hydraman-pump must be combined with a set connect Hydraman or set lift & drive Hydraman.
- \*\* The oil we recommend to use = HLP 46 or HLP 68.
- \*\*\* The mounting set for the pump is included in the set connect Hydraman (144-10095) or in the set lift & drive Hydraman (144-10109).



# axceshydratwin

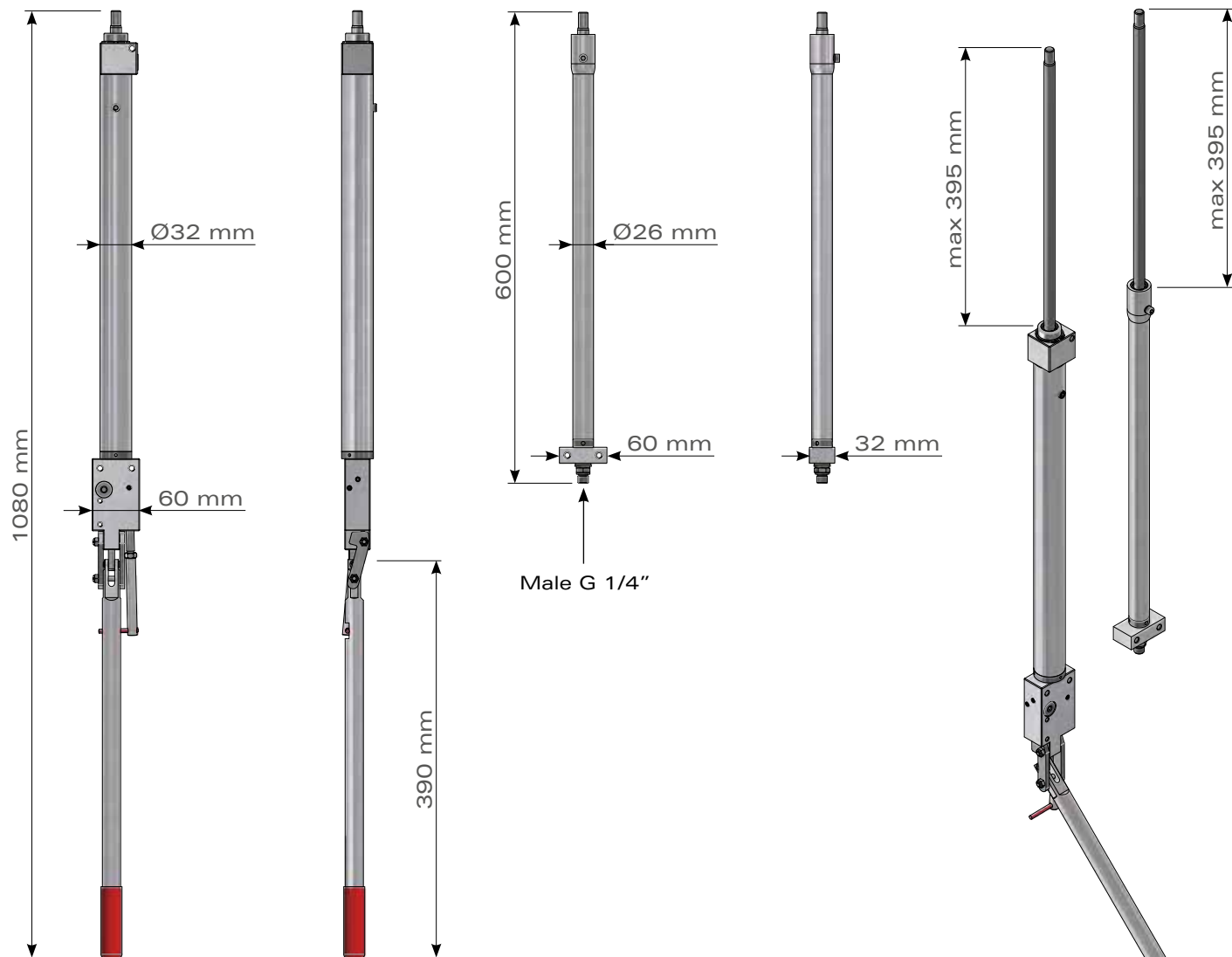
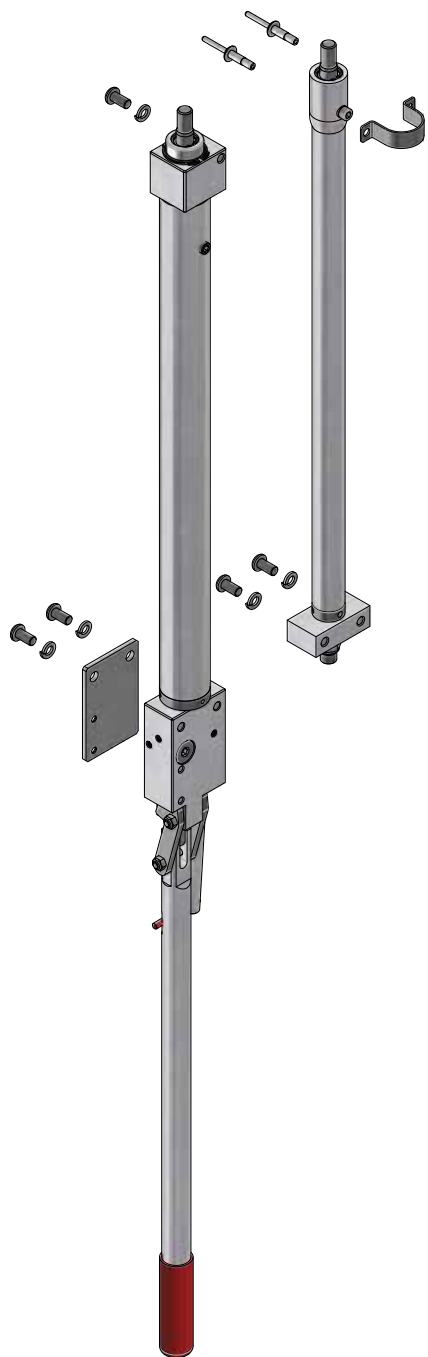
lifting systems by versus



The connector (2x male G 1/4" - 90°) is not supplied by Versus-Omega!



The oil duct is not supplied by Versus-Omega!



**Hydratwin pump + cylinder**

**PART NR.**

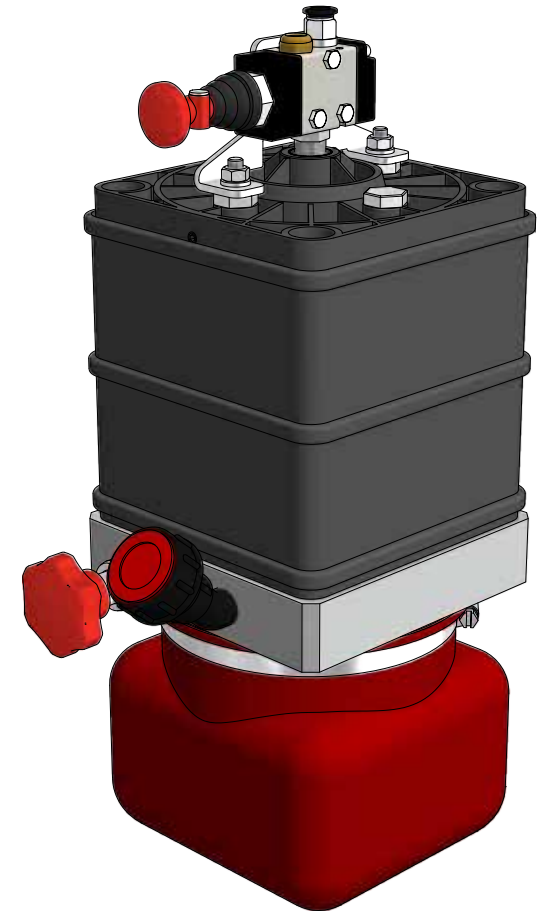
**144-10097**

- \* Each Hydratwin-pump & cylinder must be combined with a set connect Hydratwin or set lift & drive Hydratwin.
- \*\* The oil we recommend to use = HLP 46 or HLP 68.
- \*\*\* The mounting set for the pump & cylinder is included in the set connect Hydratwin (144-10107) or in the set lift & drive Hydratwin (144-10113).

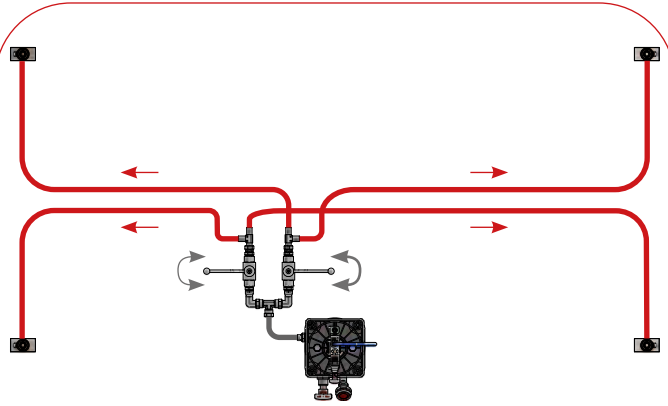


# axceshydramatic

lifting systems by versus



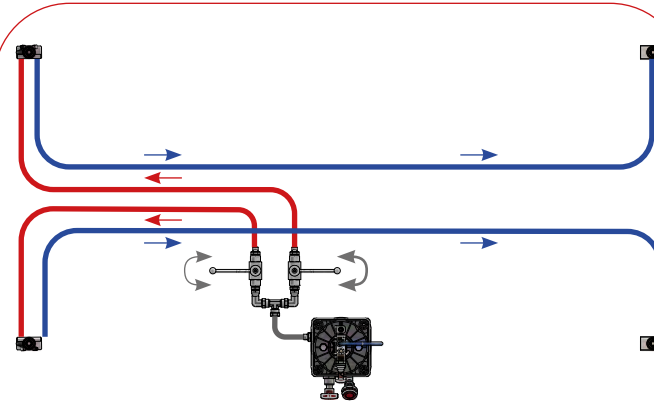
**TYPE S1**



**S1:** Roof can be lifted each side separately or both sides together. The cylinders will not necessarily rise simultaneously but in a random order.

- Choose S1 if:**
- chassis-width  $\geq$  2550mm
  - and/or
  - chassis-length  $\geq$  5000mm
  - and/or
  - simultaneous lift of the cylinders is not important

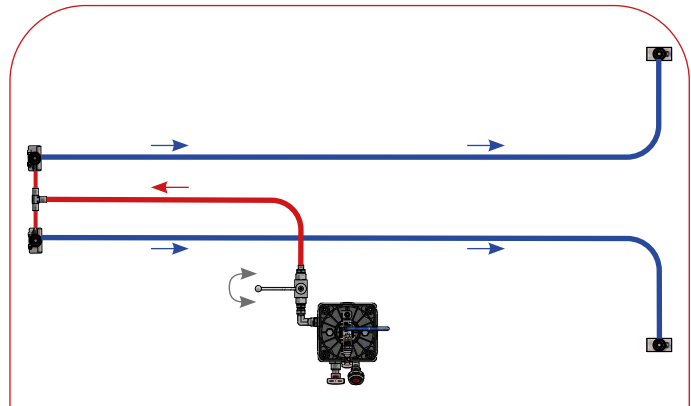
**TYPE S2**



**S2:** Roof can be lifted each side separately or both sides together. Each pair of cylinders (front + rear) will always rise simultaneously but if both sides of the roof are lifted at the same time both pairs will not necessarily rise simultaneously but in a random order.

- Choose S2 if:**
- chassis-width  $\geq$  2550mm
  - and/or
  - simultaneous lifting of each pair of cylinders is important

**TYPE S3**

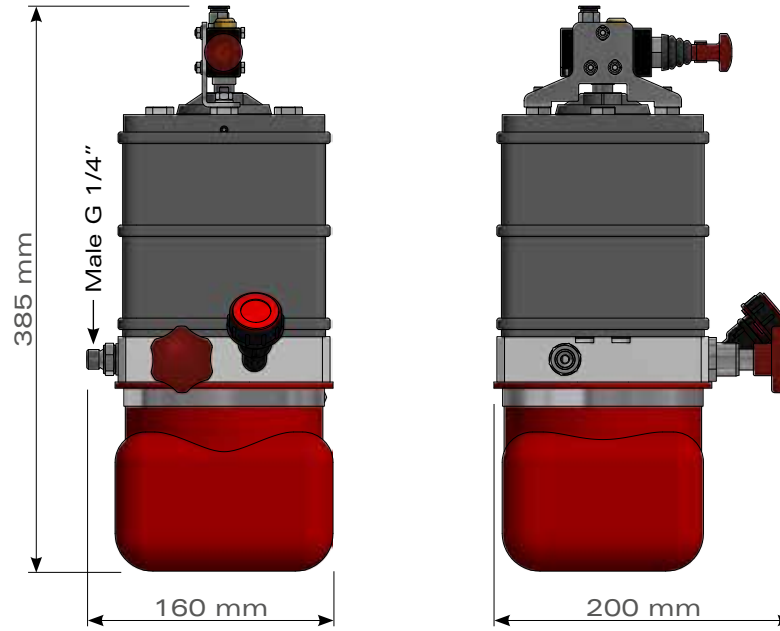
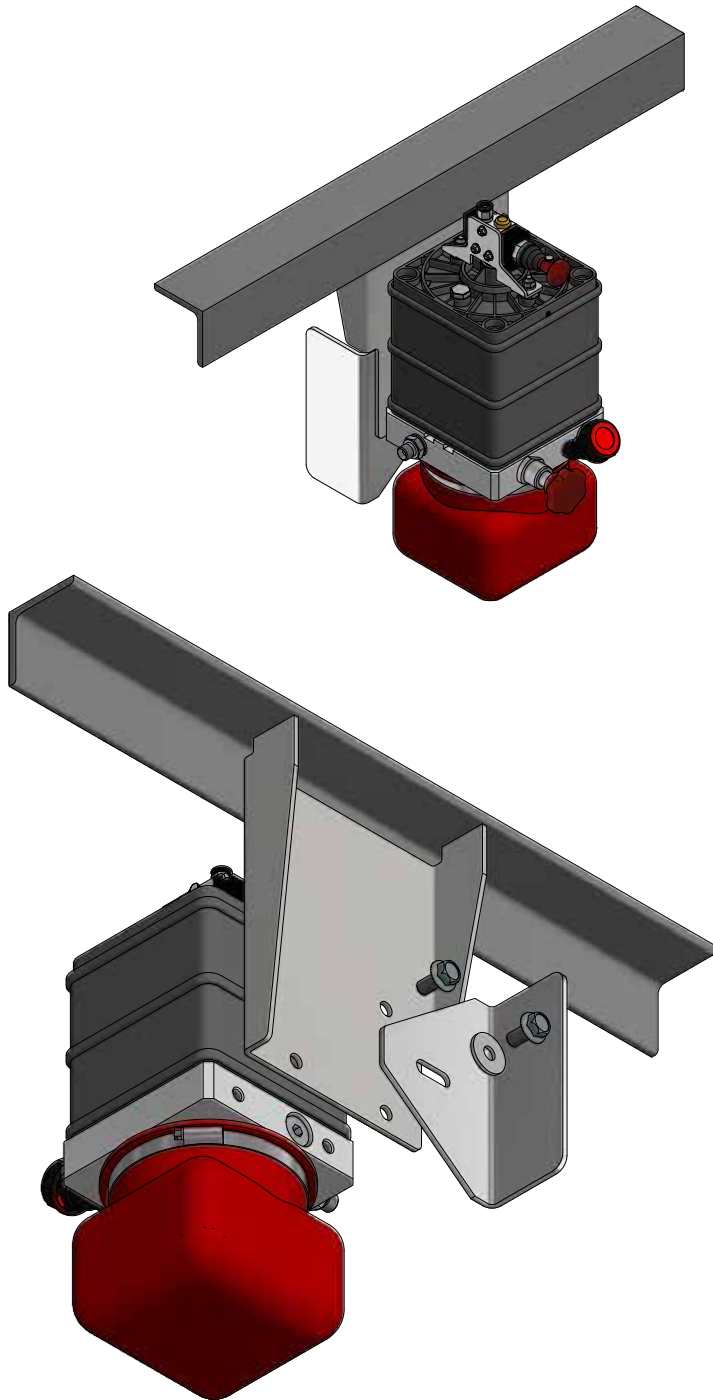


**S3:** Roof can only be lifted completely (left and right side together). All 4 cylinders will rise simultaneously.

- Choose S3 if:**
- chassis dimensions don't allow the use of S1 or S2
  - and/or
  - lifting all 4 corners of the roof simultaneously is important (e.g. because of a stiff, welded roof structure that can be damaged if not lifted simultaneously)

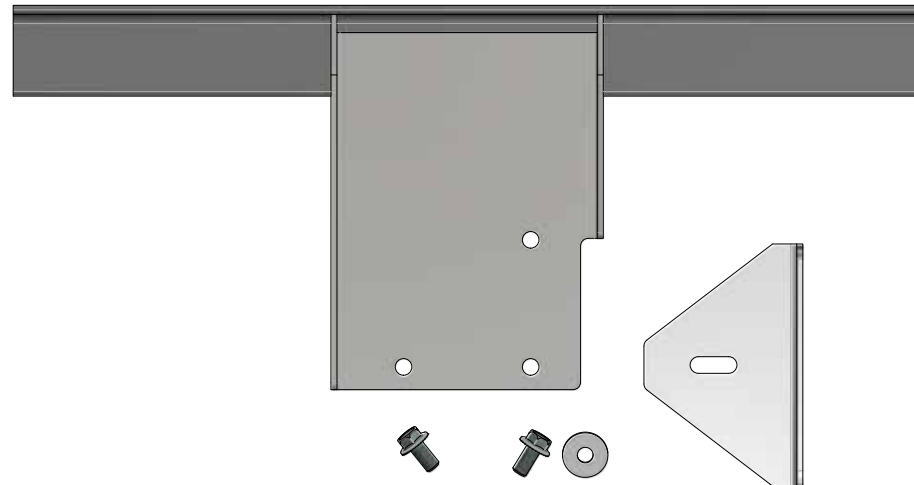
|                 |  |  |  |                  |                  |                  |                  |                  |                  |
|-----------------|--|--|--|------------------|------------------|------------------|------------------|------------------|------------------|
|                 |  |  |  |                  |                  |                  |                  |                  |                  |
| <b>PART NR.</b> |  |  |  | <b>802-01009</b> | <b>802-05004</b> | <b>802-05005</b> | <b>804-06001</b> | <b>804-06002</b> | <b>804-06003</b> |
| <b>Type S1</b>  |  |  |  | <b>1x</b>        | <b>4x</b>        |                  | <b>1x</b>        |                  |                  |
| <b>Type S2</b>  |  |  |  | <b>1x</b>        | <b>2x</b>        | <b>2x</b>        |                  | <b>1x</b>        |                  |
| <b>Type S3</b>  |  |  |  | <b>1x</b>        | <b>2x</b>        | <b>2x</b>        |                  |                  | <b>1x</b>        |





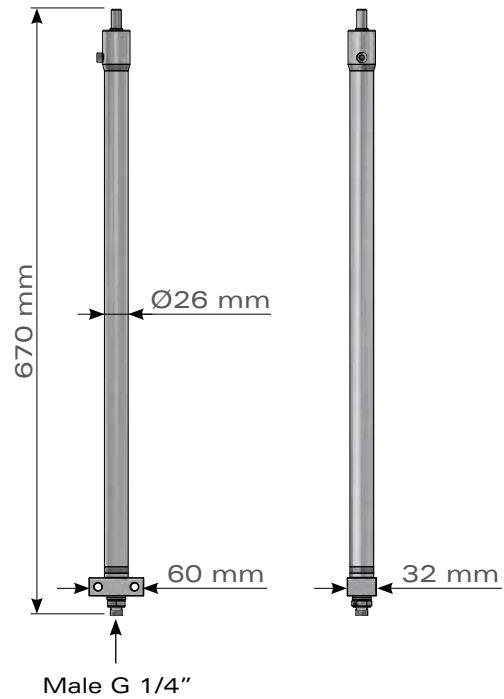
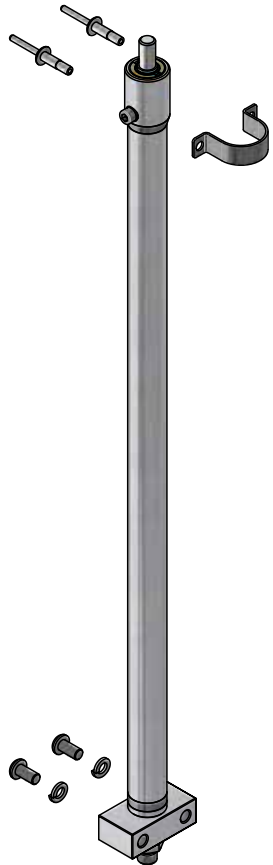
**Hydramatic pump** **802-01009**

\* The oil we recommend to use = HLP 46 or HLP 68



**Mounting set Hydramatic pump** **144-10164**

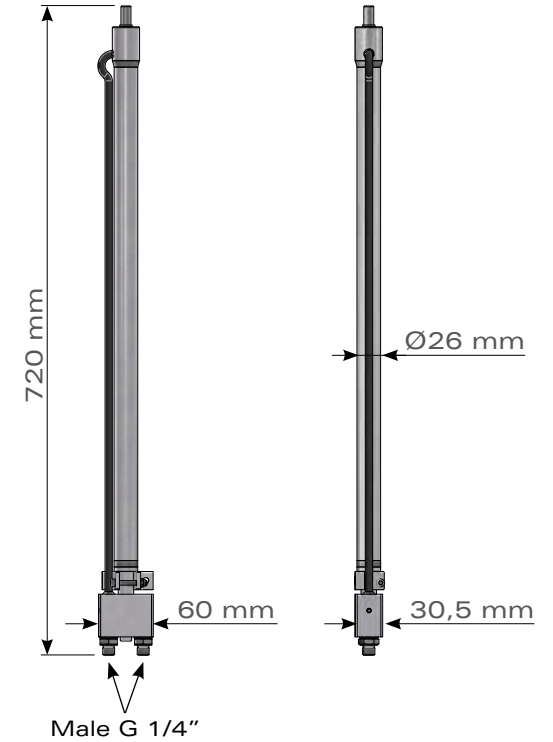
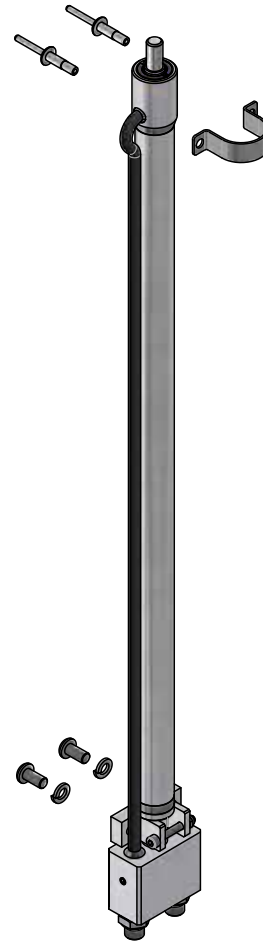




**Cylinder 500 SE**

**PART NR.**  
**802-05004**

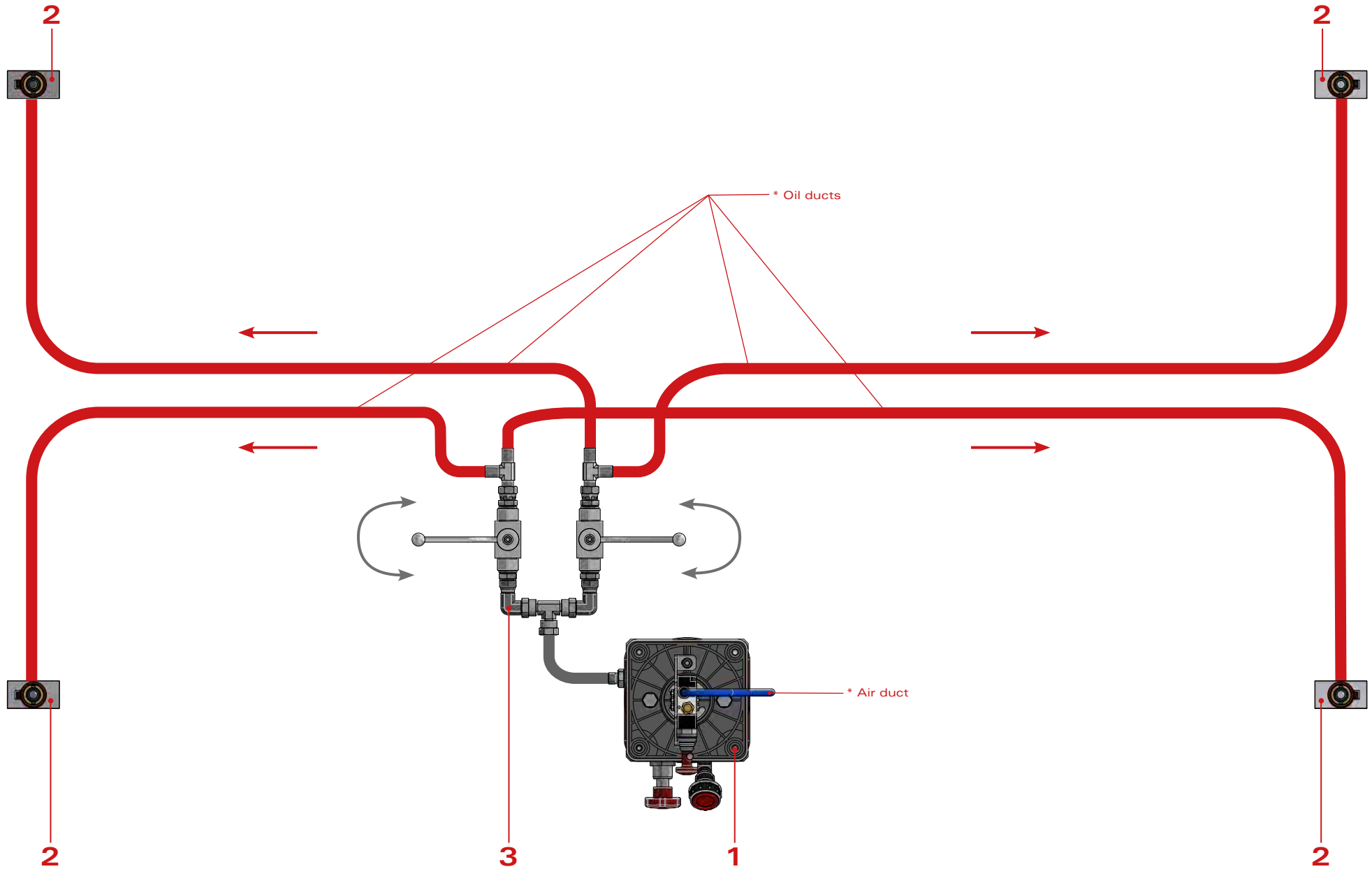
- \* Each cylinder must be combined with a set connect Hydraman or set lift & drive Hydraman.
- \*\* The mounting set for the cylinder is included in the set connect Hydraman (144-10095) or in the set lift & drive Hydraman (144-10109).

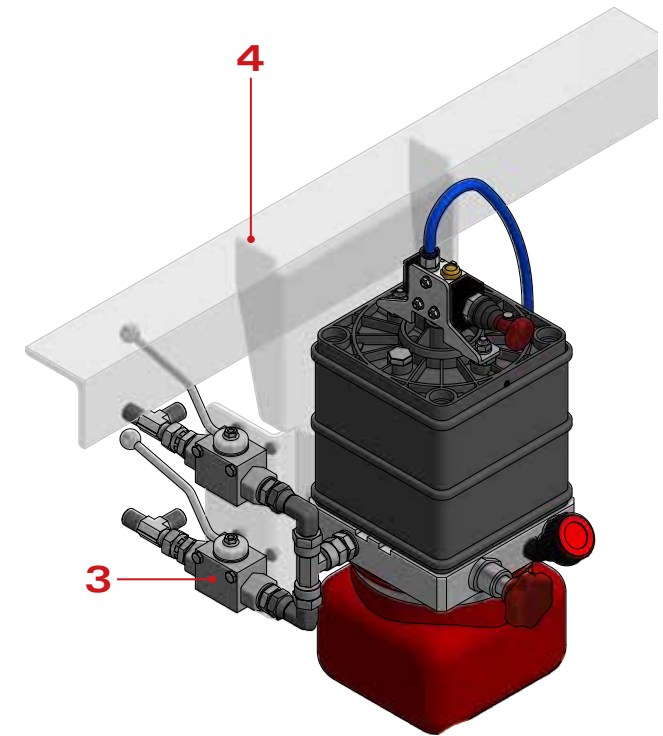
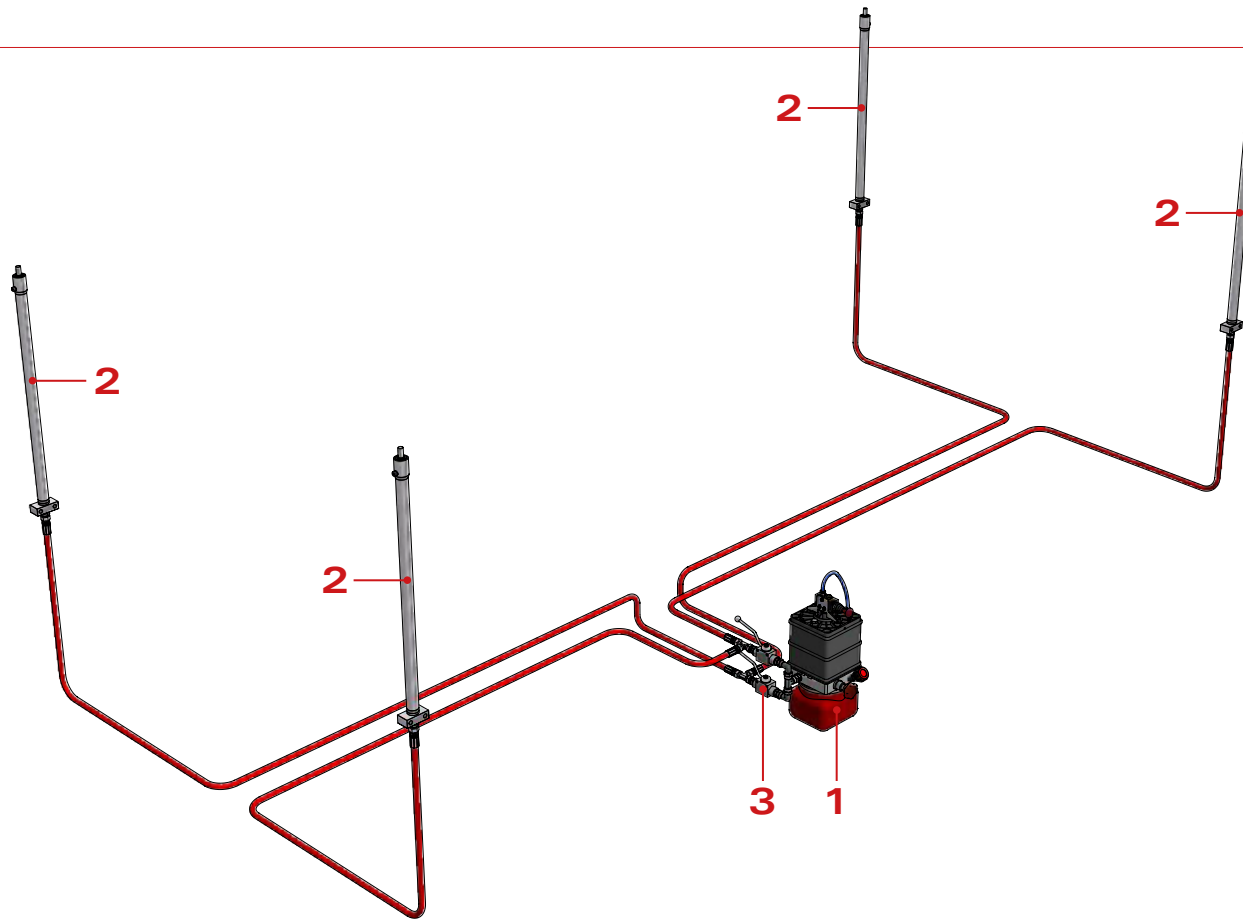


**Cylinder 500 DE**

**PART NR.**  
**802-05005**

- \* Each cylinder must be combined with a set connect Hydraman or set lift & drive Hydraman.
- \*\* The mounting set for the cylinder is included in the set connect Hydraman (144-10095) or in the set lift & drive Hydraman (144-10109).

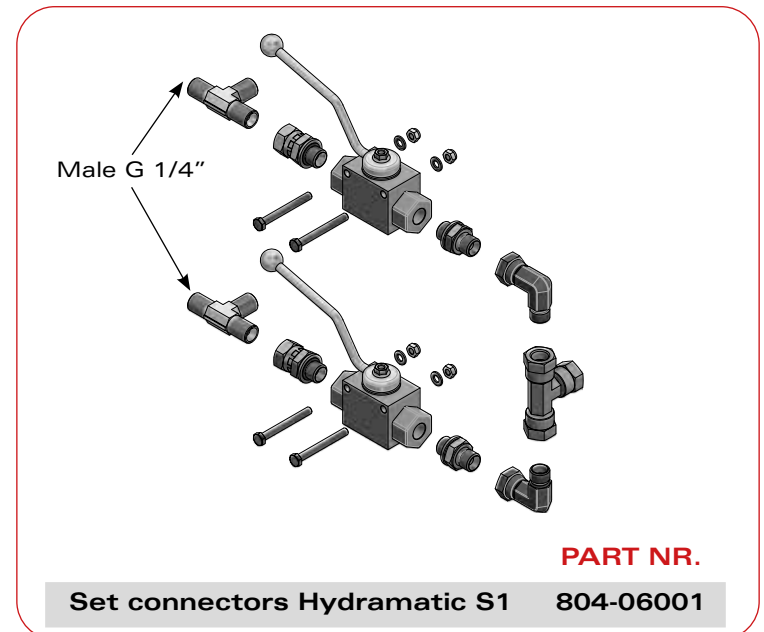




| Nr. | Part Nr.  | Qty | Description                  |
|-----|-----------|-----|------------------------------|
| 1   | 802-01009 | 1   | Pump-unit Hydramatic 1,5L    |
| 2   | 802-05004 | 4   | Cylinder Hydramatic 500 SE   |
| 3   | 804-06001 | 1   | Set connectors Hydramatic S1 |
| 4   | 144-10164 | (1) | Mounting set Hydramatic pump |
| **  | 144-10095 | (4) | Set connect Hydraman         |
| **  | 144-10109 | (4) | Set lift & drive Hydraman    |

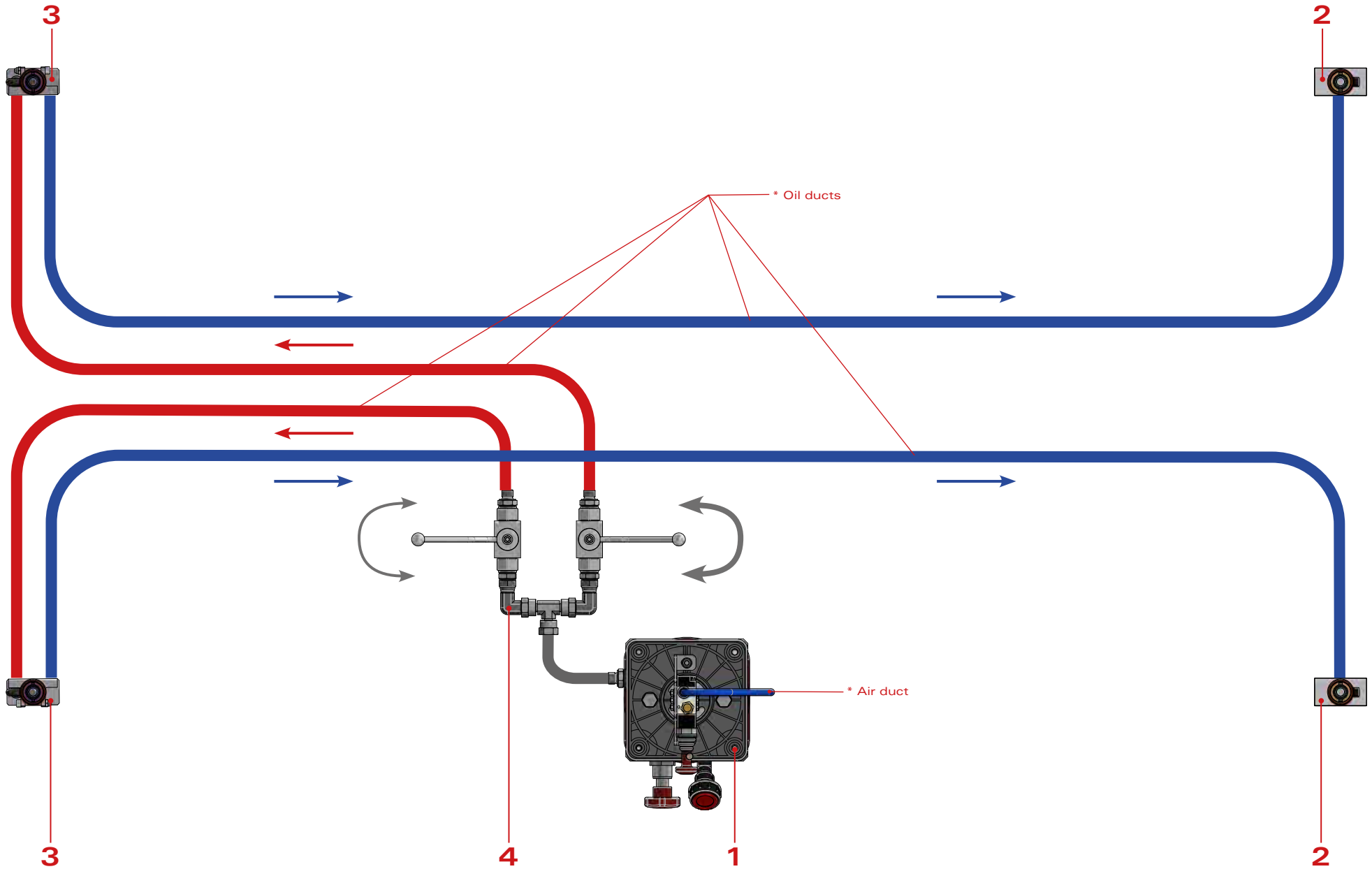
\* The oil and air ducts are not supplied by Versus-Omega

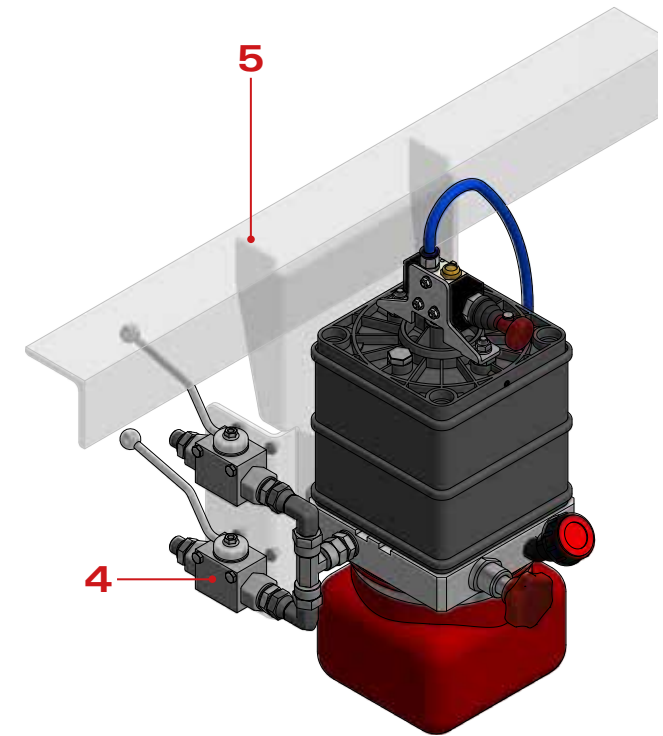
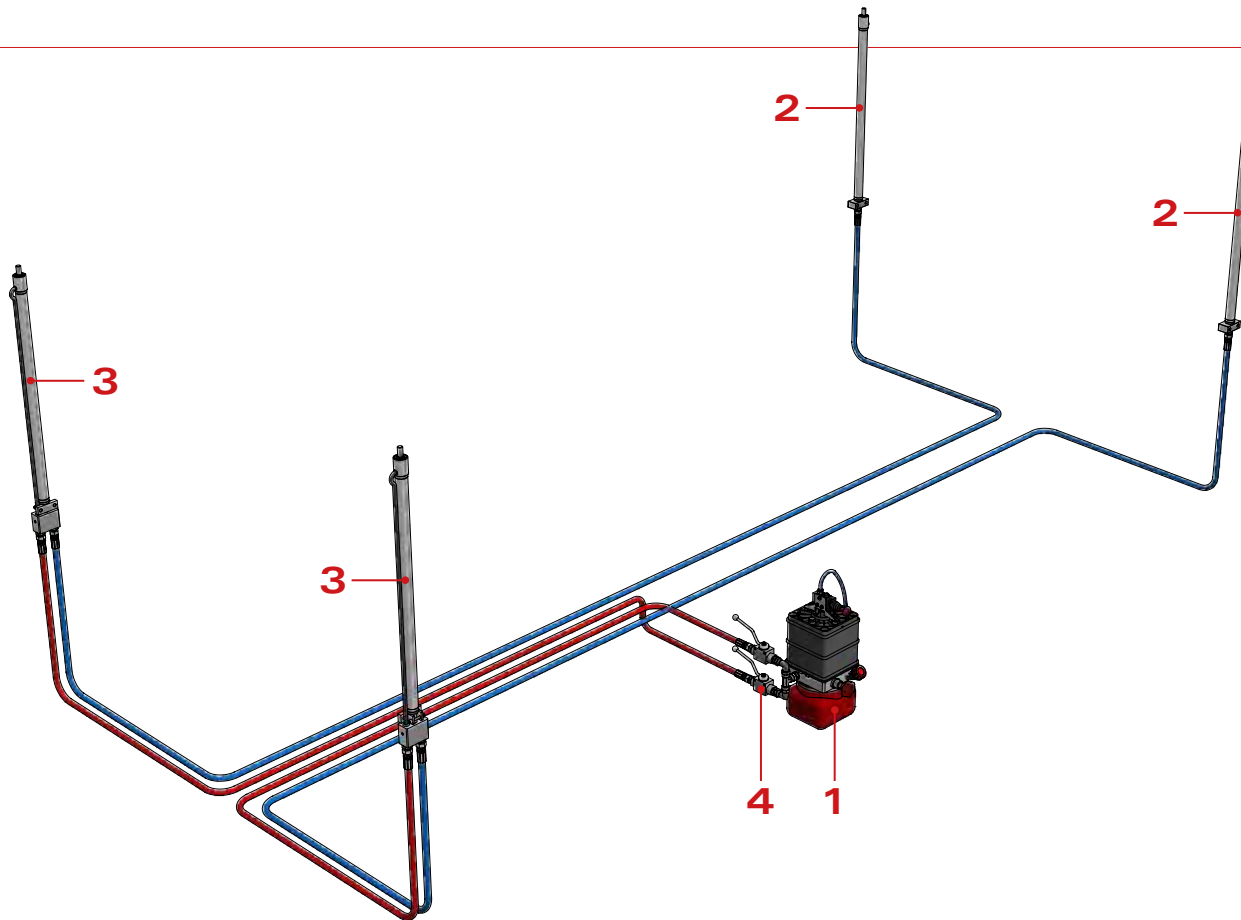
\*\* Each cylinder must be combined with a set connect Hydraman or set lift & drive Hydraman. These are not shown in the images.



**PART NR.**

**Set connectors Hydramatic S1 804-06001**

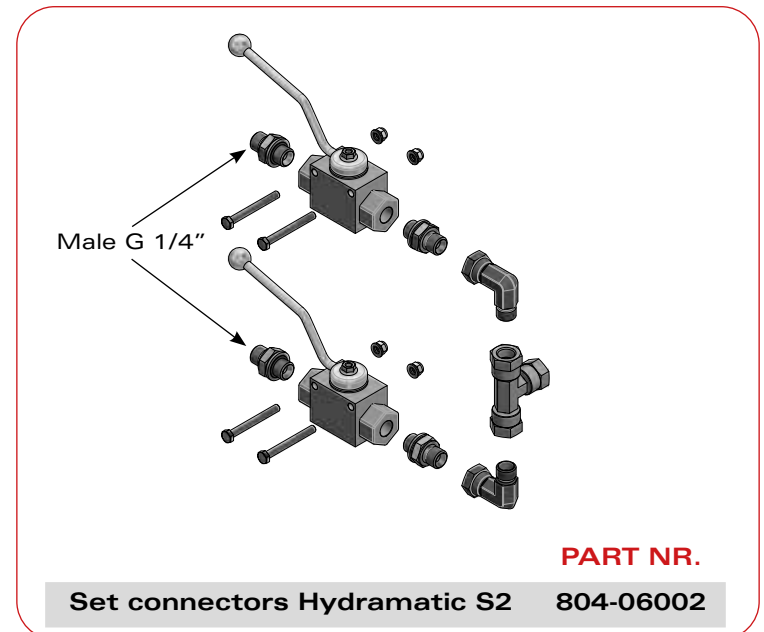




| Nr. | Part Nr.  | Qty | Description                  |
|-----|-----------|-----|------------------------------|
| 1   | 802-01009 | 1   | Pump-unit Hydramatic 1,5L    |
| 2   | 802-05004 | 2   | Cylinder Hydramatic 500 SE   |
| 3   | 802-05005 | 2   | Cylinder Hydramatic 500 DE   |
| 4   | 804-06002 | 1   | Set connectors Hydramatic S2 |
| 5   | 144-10164 | (1) | Mounting set Hydramatic pump |
| **  | 144-10095 | (4) | Set connect Hydraman         |
| **  | 144-10109 | (4) | Set lift & drive Hydraman    |

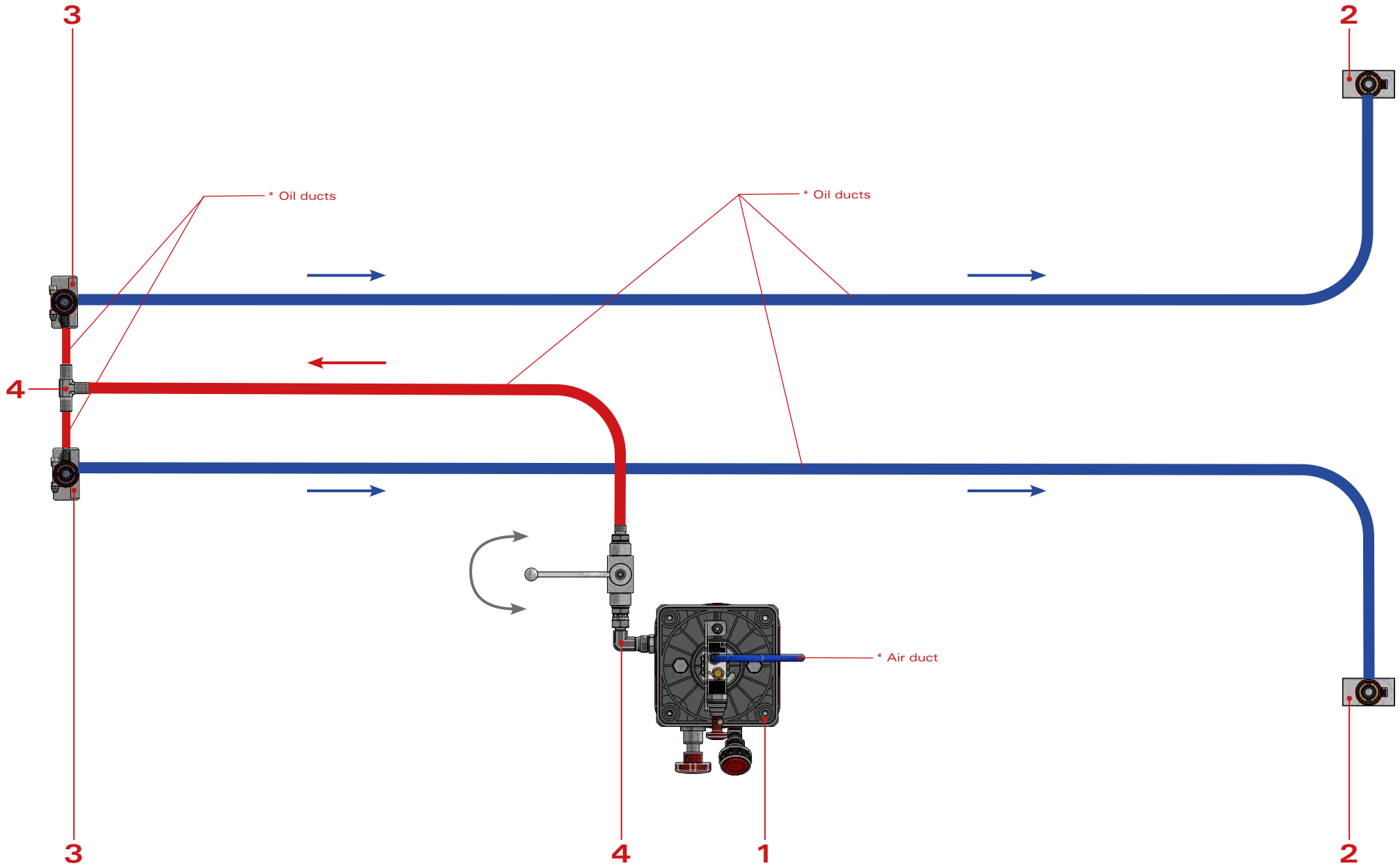
\* The oil and air ducts are not supplied by Versus-Omega

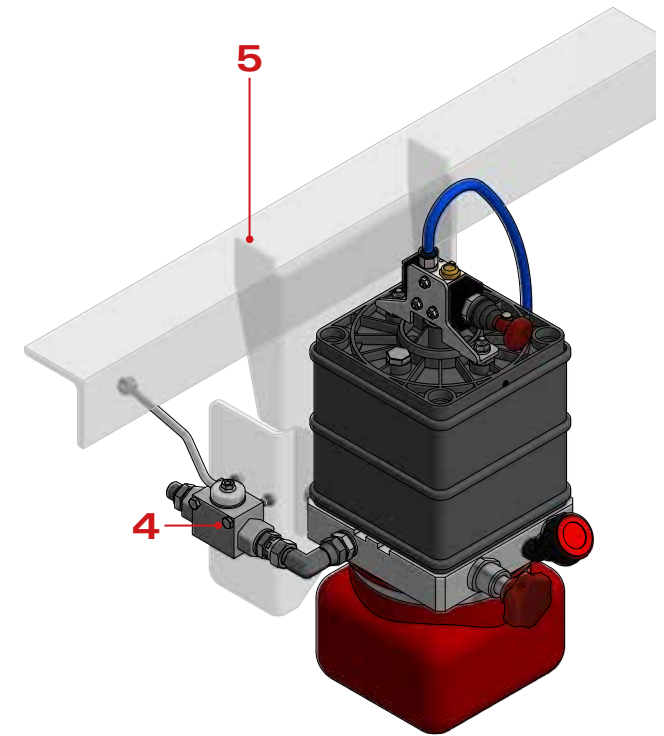
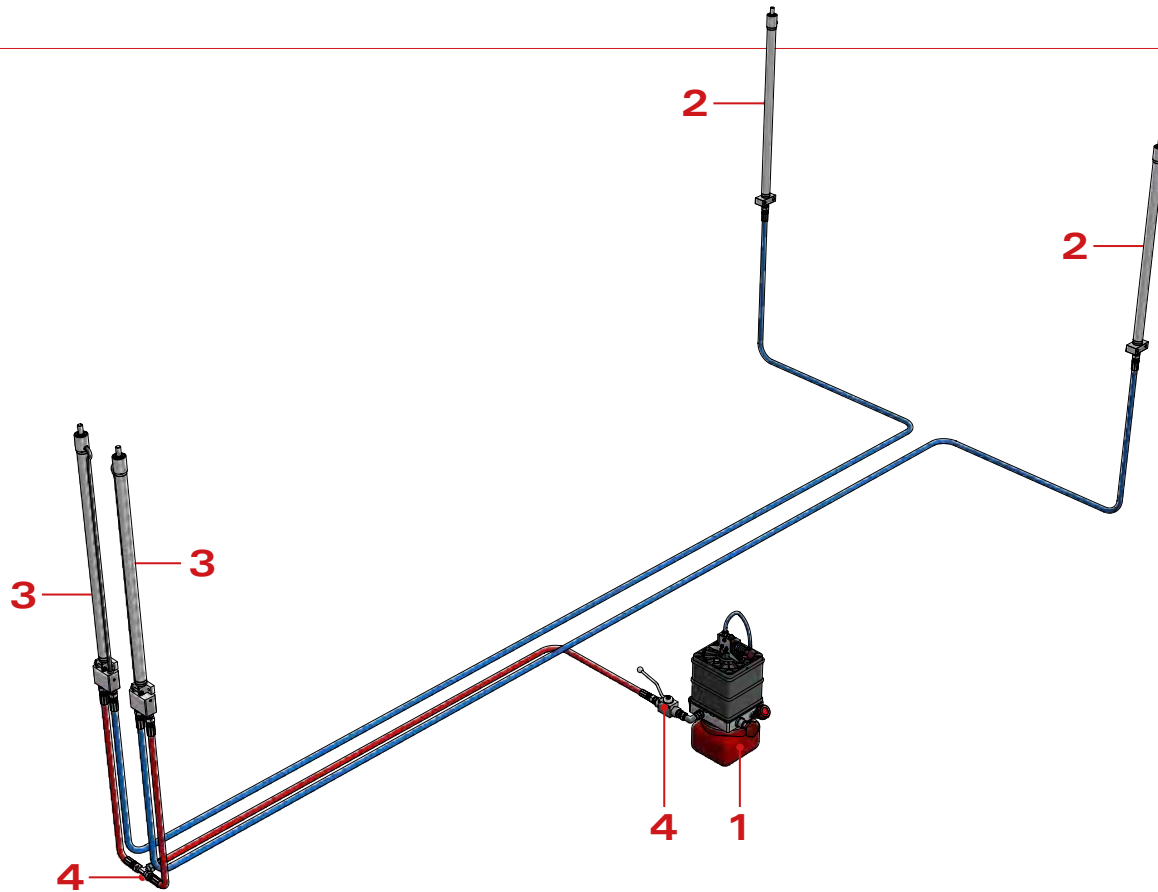
\*\* Each cylinder must be combined with a set connect Hydraman or set lift & drive Hydraman. These are not shown in the images.



**PART NR.**

**Set connectors Hydramatic S2 804-06002**

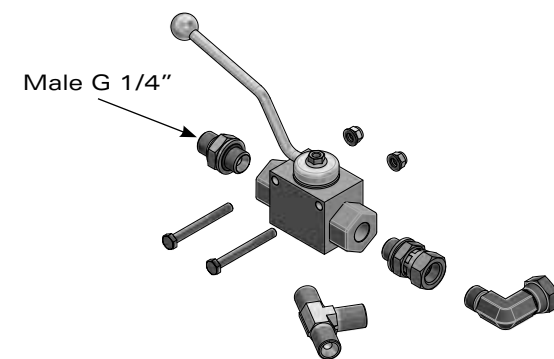




| Nr. | Part Nr.  | Qty | Description                  |
|-----|-----------|-----|------------------------------|
| 1   | 802-01009 | 1   | Pump-unit Hydramatic 1,5L    |
| 2   | 802-05004 | 2   | Cylinder Hydramatic 500 SE   |
| 3   | 802-05005 | 2   | Cylinder Hydramatic 500 DE   |
| 4   | 804-06003 | 1   | Set connectors Hydramatic S3 |
| 5   | 144-10164 | (1) | Mounting set Hydramatic pump |
| **  | 144-10095 | (4) | Set connect Hydraman         |
| **  | 144-10109 | (4) | Set lift & drive Hydraman    |

\* The oil and air ducts are not supplied by Versus-Omega

\*\* Each cylinder must be combined with a set connect Hydraman or set lift & drive Hydraman. These are not shown in the images.



**PART NR.**

**Set connectors Hydramatic S3 804-06003**



Hydraman  
+ set connect Hydraman



Hydratwin  
+ set connect Hydratwin

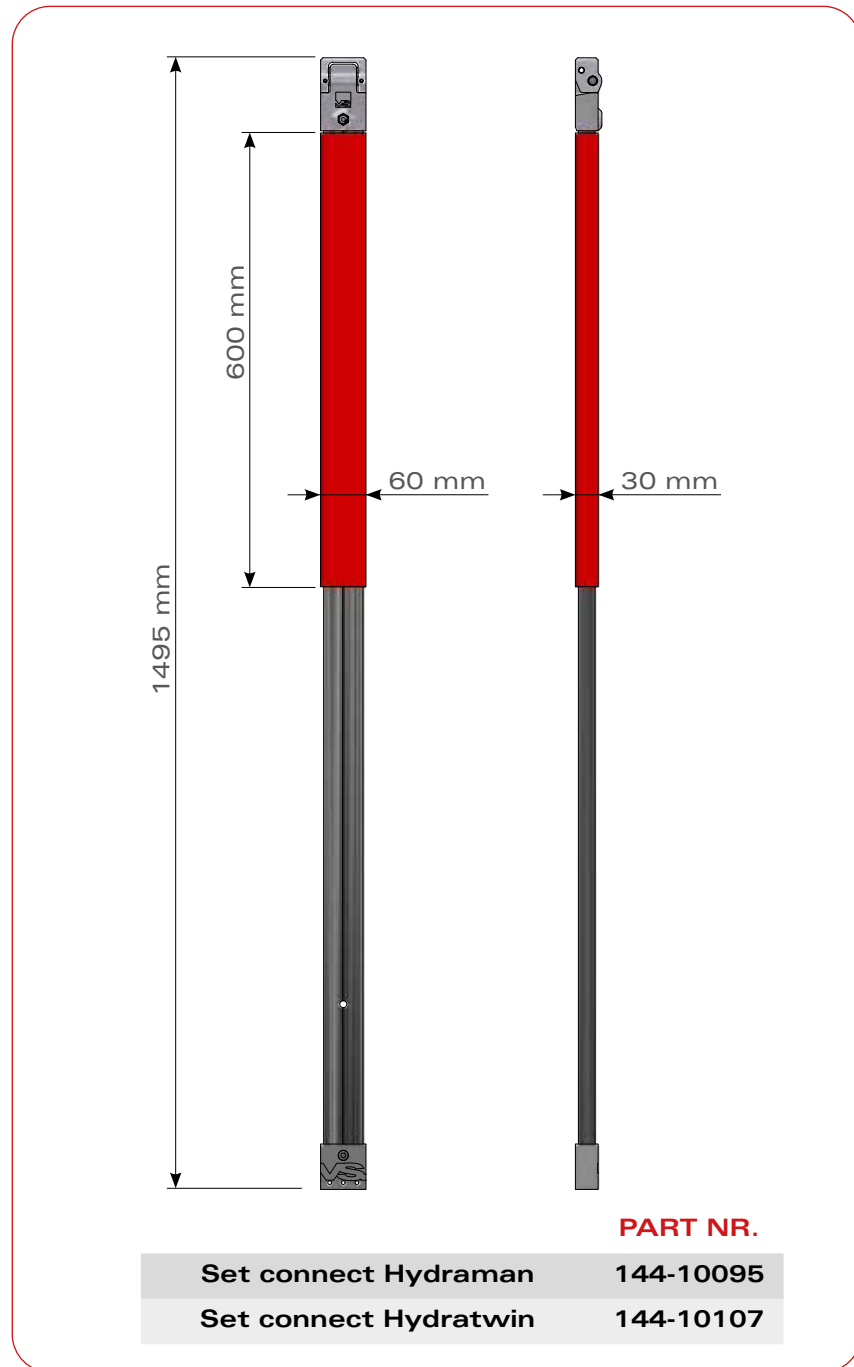
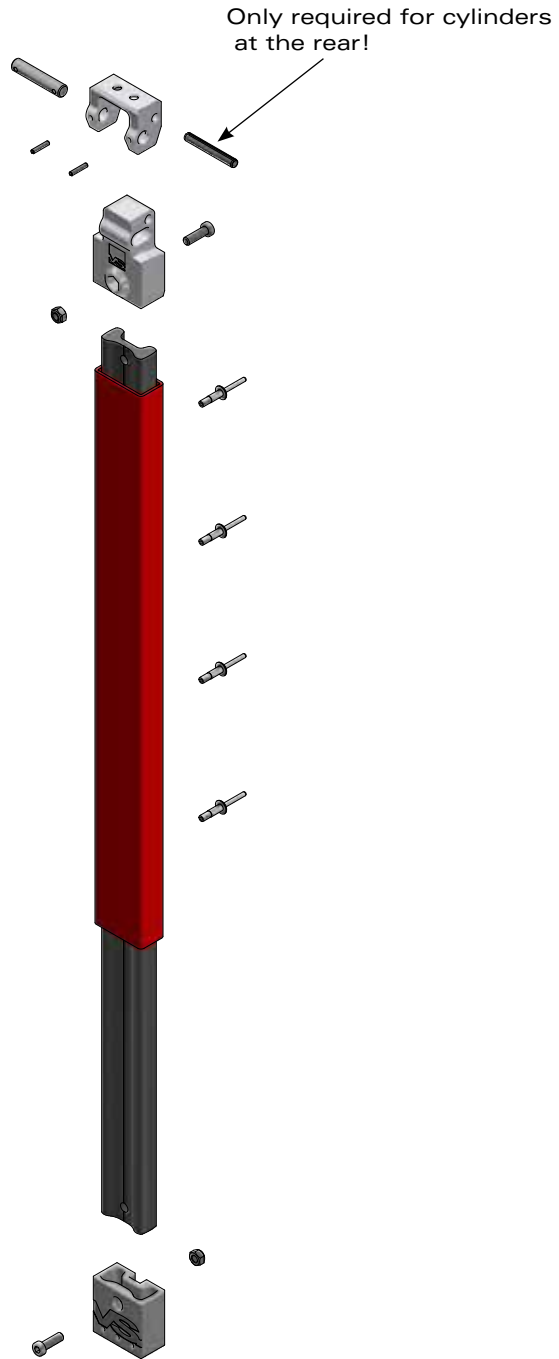


Hydrumatic cylinder 500SE  
+ set connect Hydraman



Hydrumatic cylinder 500DE  
+ set connect Hydraman





\* The mounting parts for Hydraman (pump), Hydratwin (pump + cylinder) and Hydramatic (cylinders SE + DE) are not visible in the pictures.

# Set lift & drive



**Hydraman**  
+ set lift & drive Hydraman



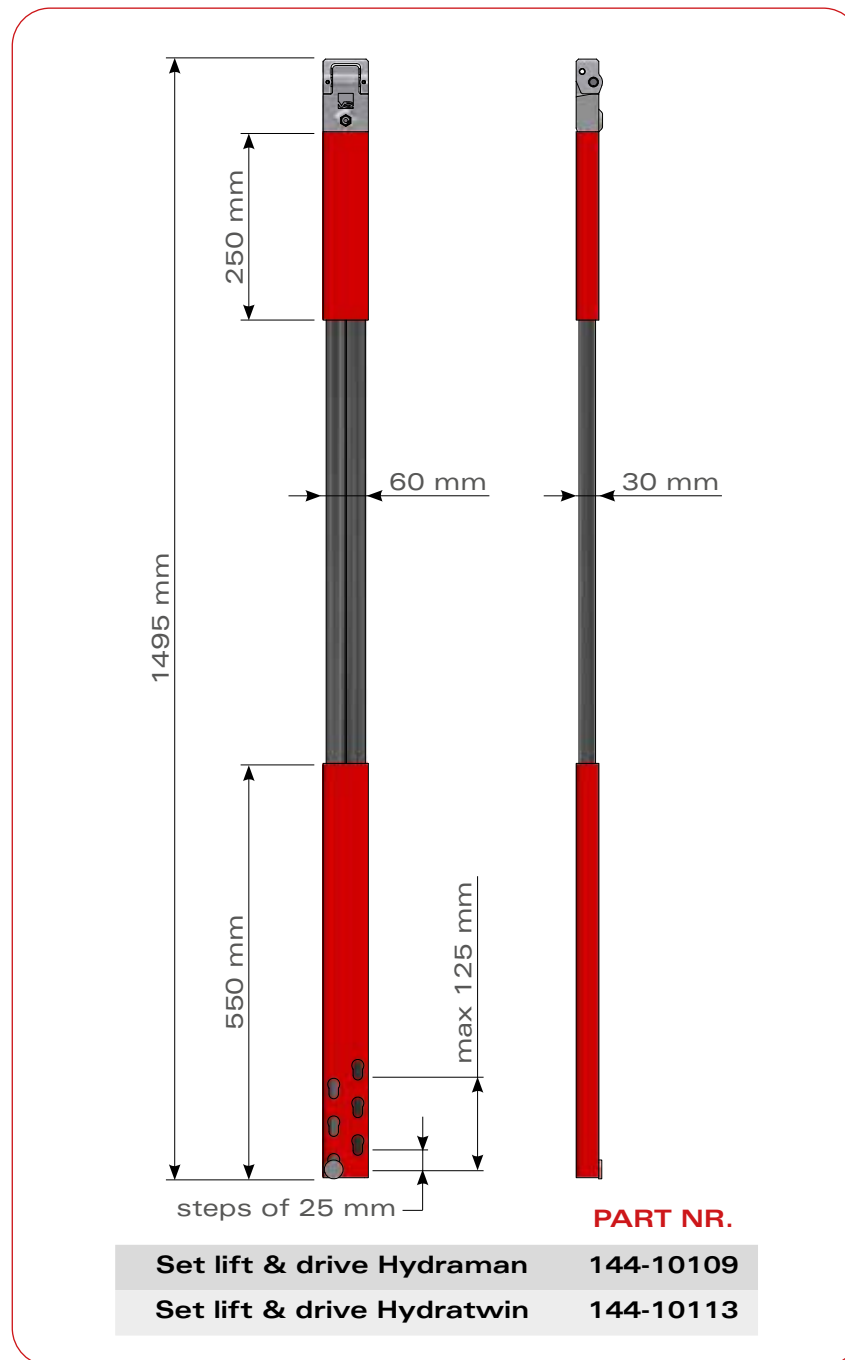
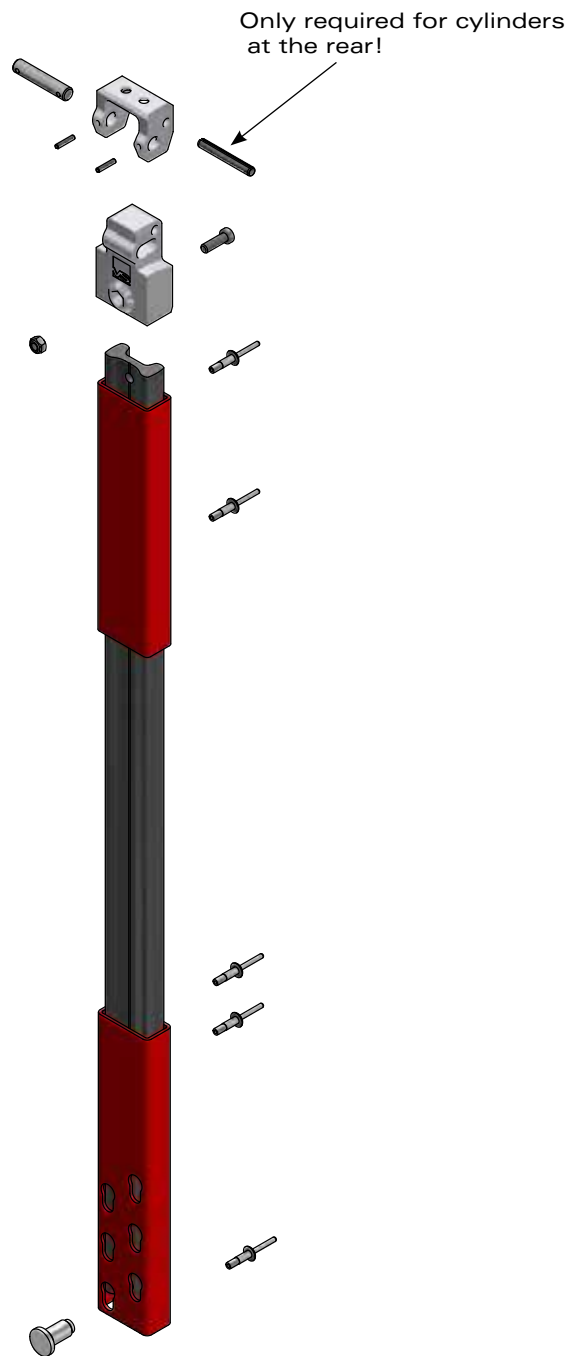
**Hydratwin**  
+ set lift & drive Hydratwin



**Hydrumatic cylinder 500SE**  
+ set lift & drive Hydraman

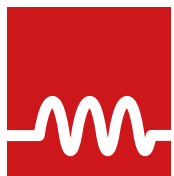


**Hydrumatic cylinder 500DE**  
+ set lift & drive Hydraman



\* The mounting parts for Hydraman (pump), Hydratwin (pump + cylinder) and Hydramatic (cylinders SE + DE) are not visible in the pictures.





**penta**  
slider systems

**Type of slider system** **Page**

|                              |            |
|------------------------------|------------|
| <b>Penta Wave</b>            | <b>159</b> |
| <b>Penta Wave SR</b>         | <b>165</b> |
| <b>Penta Wave SRL</b>        | <b>171</b> |
| <b>Penta Wave Axces</b>      | <b>177</b> |
| <b>Penta Wave SR Axces</b>   | <b>183</b> |
| <b>Penta Wave SRL Axces</b>  | <b>189</b> |
| <b>Penta Wave Mega Axces</b> | <b>195</b> |
| <b>Penta City</b>            | <b>201</b> |
| <b>Penta City 100</b>        | <b>203</b> |
| <b>Penta City 200</b>        | <b>209</b> |
| <b>Penta City 300</b>        | <b>215</b> |
| <b>Penta Flex</b>            | <b>221</b> |





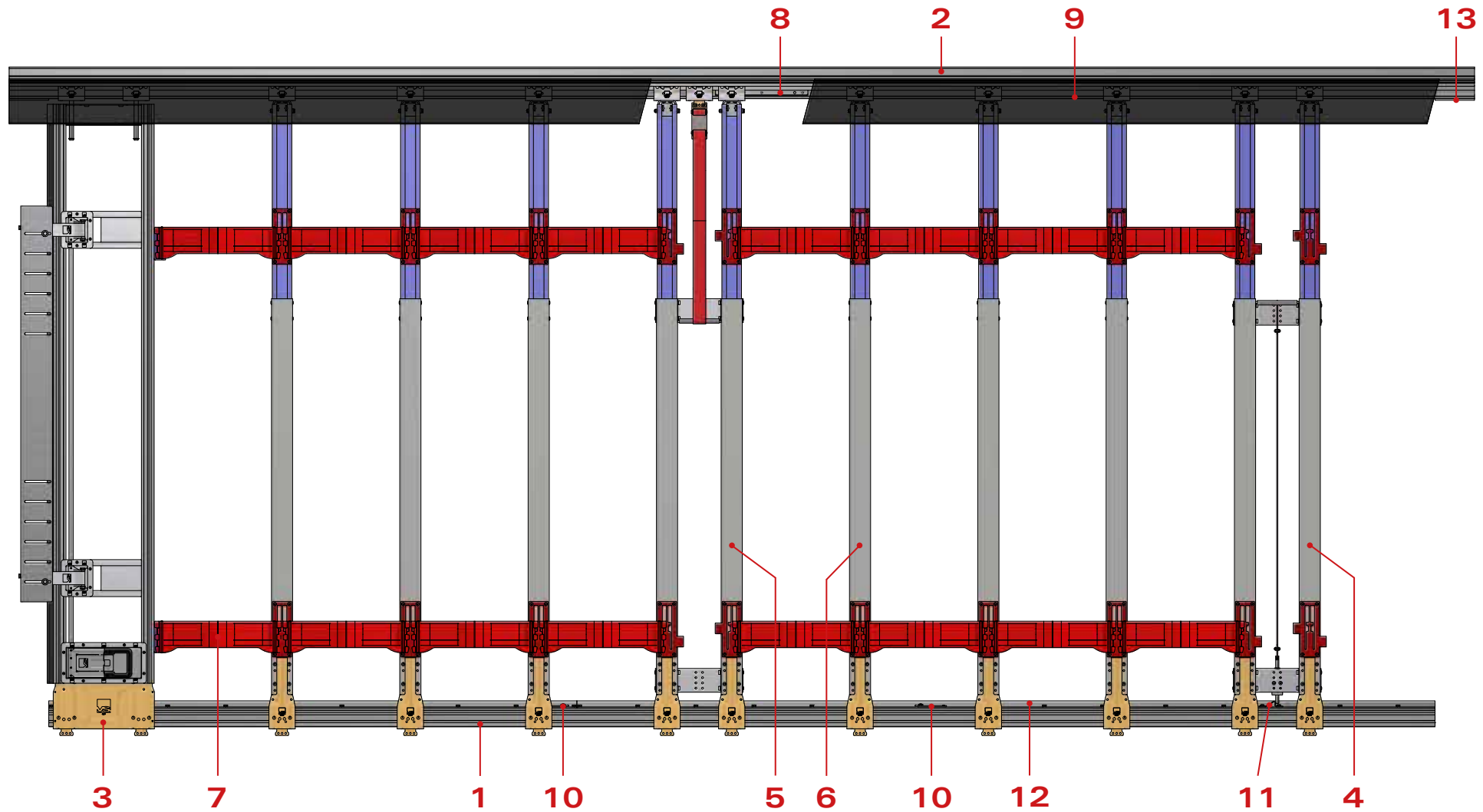
entw  
sli sym







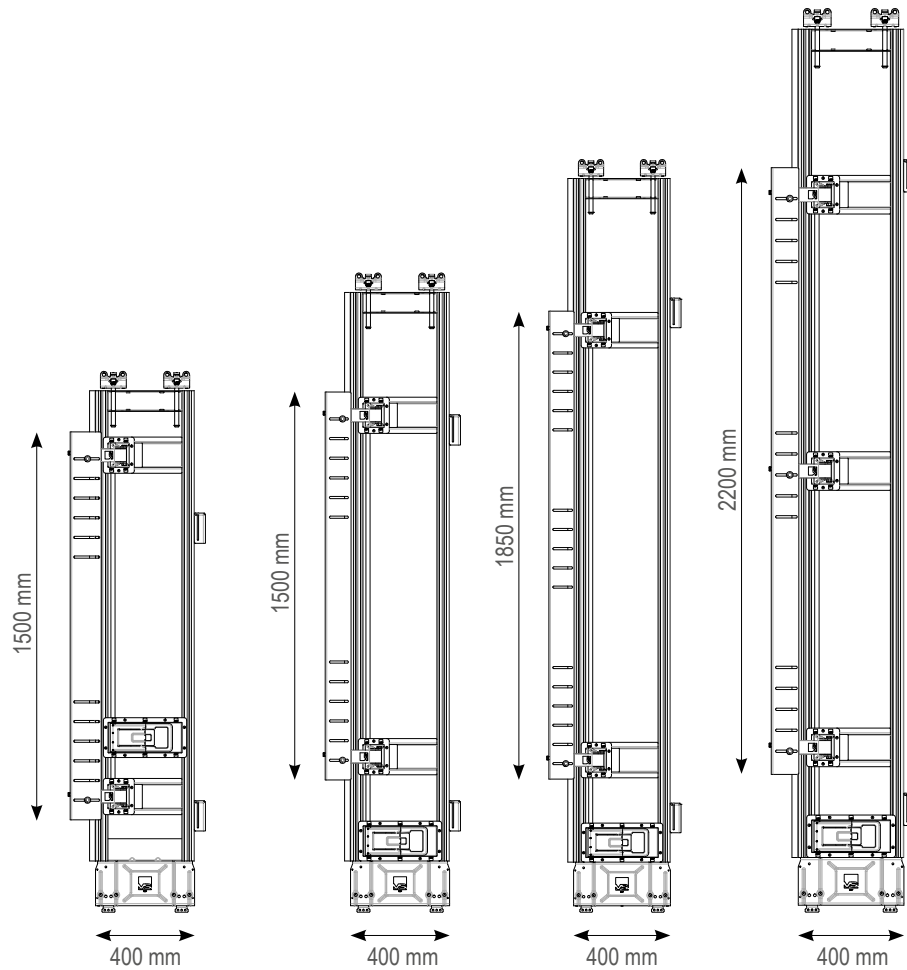




|          |                      |            |                      |
|----------|----------------------|------------|----------------------|
| <b>1</b> | Penta Wave rail (Al) | <b>8</b>   | Set steel insert     |
| <b>2</b> | Duo Penta rail (Al)  | <b>9</b>   | PVC pelmet           |
| <b>3</b> | Quick lock door      | <b>10</b>  | Set door stopper     |
| <b>4</b> | Basic door           | <b>11</b>  | Set locking nose     |
| <b>5</b> | Pillar               | <b>12</b>  | Set steel protection |
| <b>6</b> | Mini pillar          | <b>13</b>  | Set mounting plates  |
| <b>7</b> | Folding plate        | <b>14*</b> | Set fixation curtain |

\* Not visible on the composition drawing above

### 3 Quick lock door



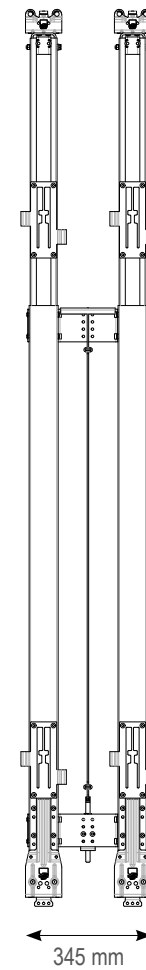
**PART NR.**      **PART NR.**      **PART NR.**      **PART NR.**

|          |           |           |           |           |
|----------|-----------|-----------|-----------|-----------|
| Left SA  | 624-01112 | 624-01100 | 624-01101 | 624-01102 |
| Right SA | 624-01113 | 624-01103 | 624-01104 | 624-01105 |
| Left LA  | 624-01114 | 624-01106 | 624-01107 | 624-01108 |
| Right LA | 624-01115 | 624-01109 | 624-01110 | 624-01111 |

Extra Small 1920-2170mm      Small 2171-2420mm      Medium 2421-2800mm      Large 2801 -2950mm

Small arm (SA) = short hinge arm covering distance of 40 to 103mm  
Large arm (LA) = long hinge arm covering distance of 103 to 190mm

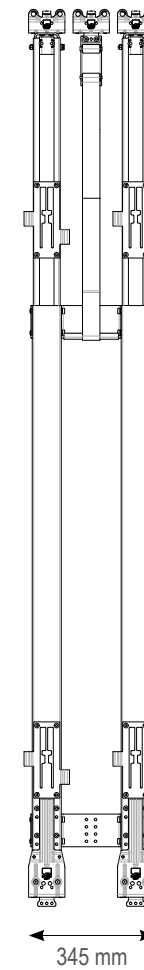
### 4 Basic door



**PART NR.**

|    |           |
|----|-----------|
| XS | 624-03023 |
| S  | 624-03020 |
| M  | 624-03021 |
| L  | 624-03022 |

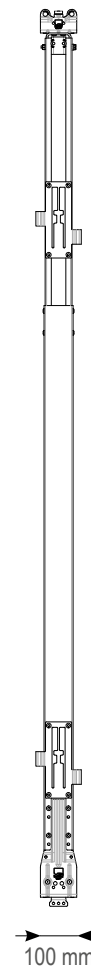
### 5 Pillar



**PART NR.**

|    |           |
|----|-----------|
| XS | 624-02027 |
| S  | 624-02020 |
| M  | 624-02021 |
| L  | 624-02022 |

### 6 Mini pillar

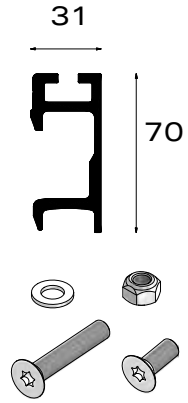


**PART NR.**

|    |           |
|----|-----------|
| XS | 624-04023 |
| S  | 624-04020 |
| M  | 624-04021 |
| L  | 624-04022 |

Extra Small (XS) = aperture height between 1920 and 2170mm  
Small (S) = aperture height between 2171 and 2420mm  
Medium (M) = aperture height between 2421 and 2700mm  
Large (L) = aperture height between 2701 and 2950mm

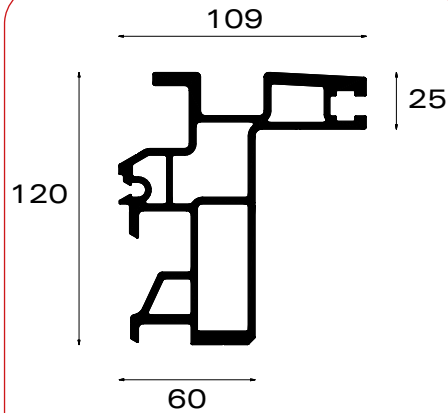
**1 Penta Wave rail (Al)**



**PART NR.**

Rail L = 7m 162-31700  
Set (1set/m) 144-10126

**2 Duo Penta rail (Al)**

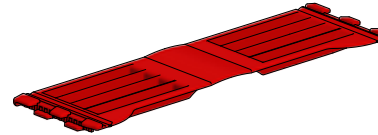


**PART NR.**

L = 5m 162-30500  
L = 7,8m 162-30780  
L = 8,5m 162-30850  
\* L = 10,5m 162-30105  
\* L = 13,6m 162-30136

\*profile with pre-bending

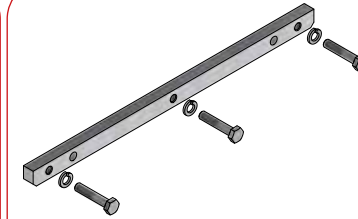
**7 Folding plate**



**PART NR.**

Type 400 242-01034  
Type 500 242-01035  
Type 600 242-01036  
Type 700 242-01037  
Type 570 242-01038  
Type 650 242-01039

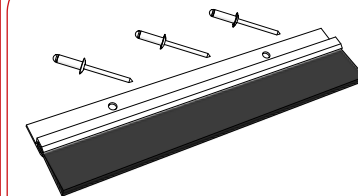
**8 Set steel insert**



**PART NR.**

Set 144-10119

**Brush seal QL door**

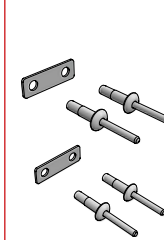


**PART NR.**

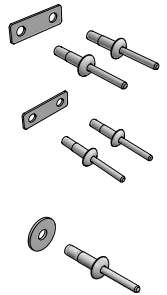
Set 144-10157

**14 Set fixation curtain**

**Set A**



**Set B**



**PART NR.**

Set A 144-10144  
Set B 144-10140

\*1x Set A / mini pillar  
1x Set A / basic door  
2x Set A / pillar  
1x Set B / QL-door

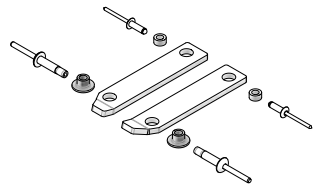
**Velcro strap**



**PART NR.**

L = 300mm 312-08001

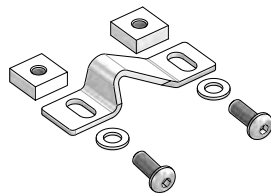
**10 Set door stopper**



**PART NR.**

Left 144-10122  
Right 144-10123

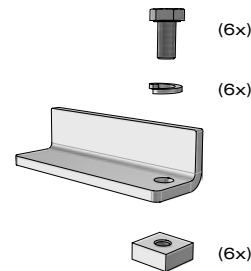
**11 Set locking nose**



**PART NR.**

Set 144-10146

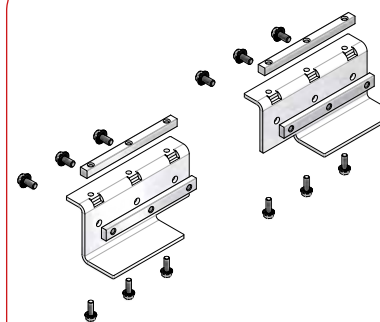
**12 Set steel protection**



**PART NR.**

Rail L = 2m 152-50002  
Set (1/rail) 144-10116

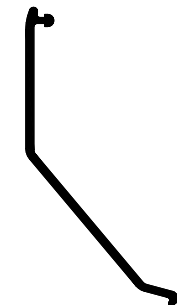
**13 Set mounting plates**



**PART NR.**

Set 154-03101

**9 PVC pelmet**



**PART NR.**

L = 9m (black) 242-12109  
L = 14m (black) 242-12114





pentanave®  
slørsterby vus



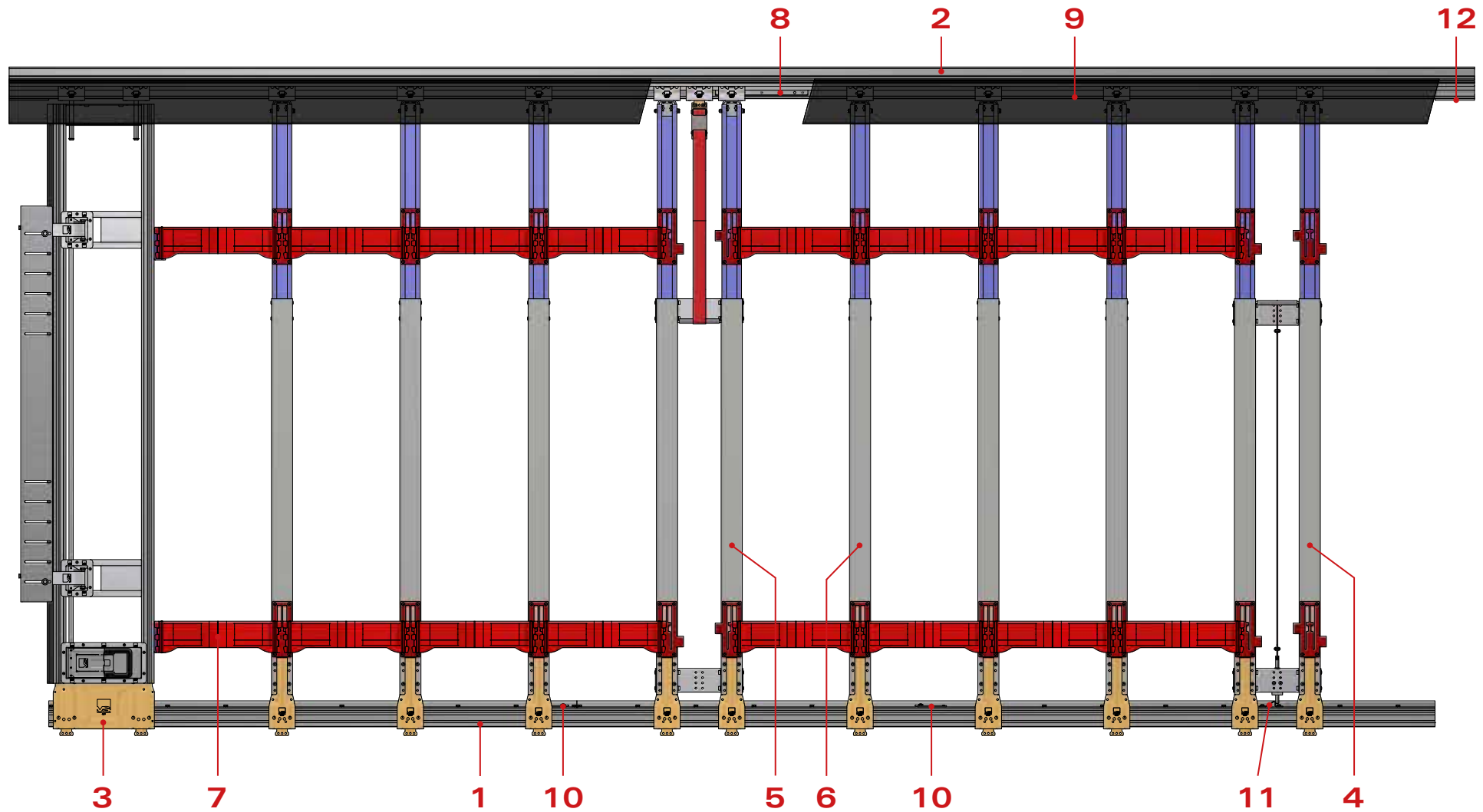
**pentawave** *SR* ]

slider systems by versus

---



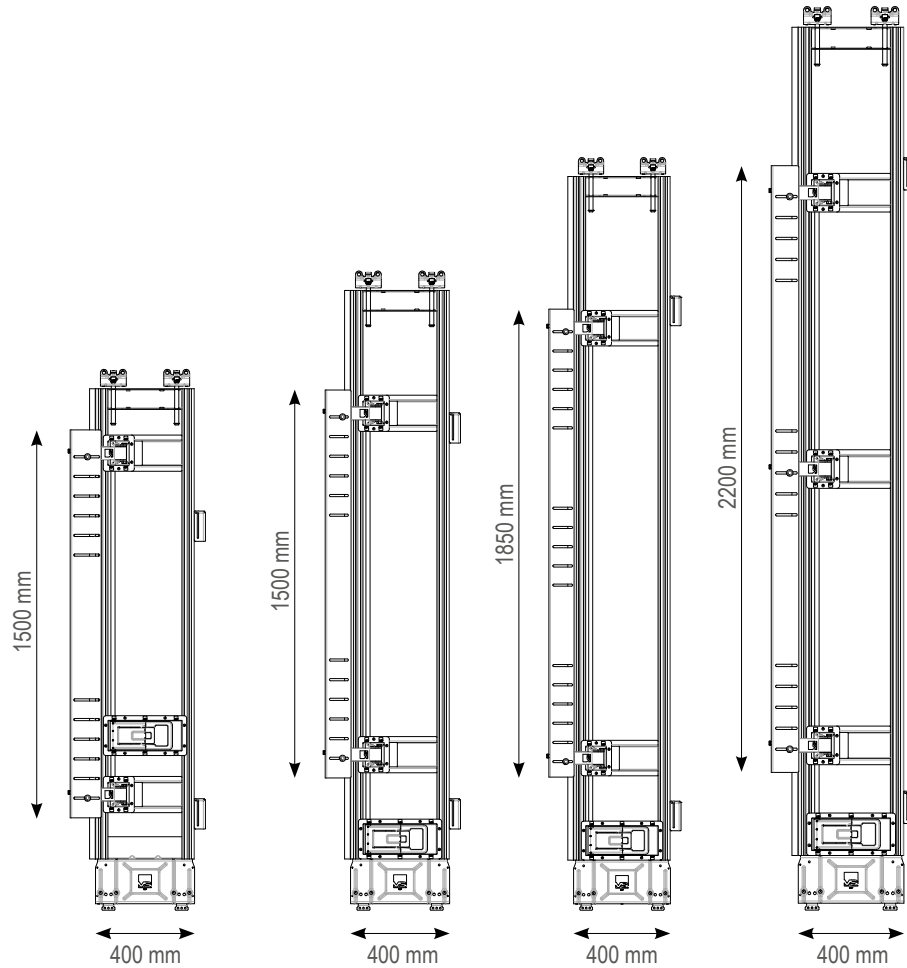




|          |                      |            |                      |
|----------|----------------------|------------|----------------------|
| <b>1</b> | Penta Wave rail (SS) | <b>8</b>   | Set steel insert     |
| <b>2</b> | Duo Penta rail (Al)  | <b>9</b>   | PVC pelmet           |
| <b>3</b> | Quick lock door      | <b>10</b>  | Set door stopper     |
| <b>4</b> | Basic door           | <b>11</b>  | Set locking nose     |
| <b>5</b> | Pillar               | <b>12</b>  | Set mounting plates  |
| <b>6</b> | Mini pillar          | <b>13*</b> | Set fixation curtain |
| <b>7</b> | Folding plate        |            |                      |

\* Not visible on the composition drawing above

### 3 Quick lock door



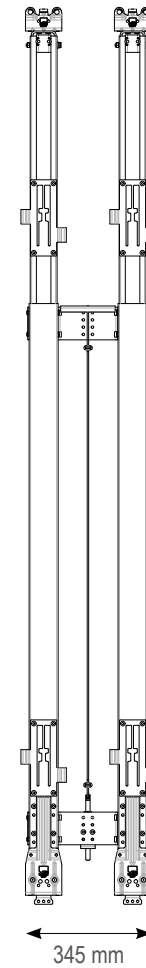
**PART NR.**      **PART NR.**      **PART NR.**      **PART NR.**

|          |           |           |           |           |
|----------|-----------|-----------|-----------|-----------|
| Left SA  | 624-01612 | 624-01600 | 624-01601 | 624-01602 |
| Right SA | 624-01613 | 624-01603 | 624-01604 | 624-01605 |
| Left LA  | 624-01614 | 624-01606 | 624-01607 | 624-01608 |
| Right LA | 624-01615 | 624-01609 | 624-01610 | 624-01611 |

Extra Small 1920-2170mm      Small 2171-2420mm      Medium 2421-2800mm      Large 2801 -2950mm

Small arm (SA) = short hinge arm covering distance of 40 to 103mm  
Large arm (LA) = long hinge arm covering distance of 103 to 190mm

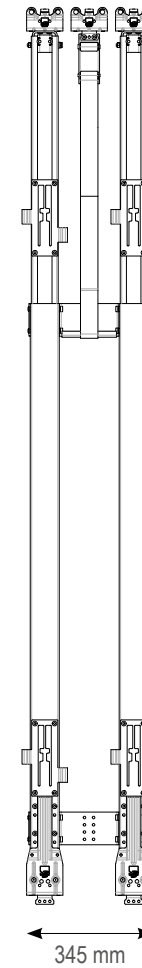
### 4 Basic door



**PART NR.**

|    |           |
|----|-----------|
| XS | 624-03623 |
| S  | 624-03620 |
| M  | 624-03621 |
| L  | 624-03622 |

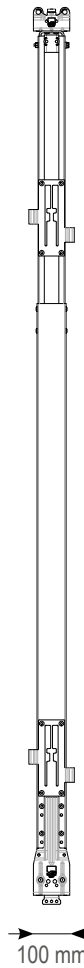
### 5 Pillar



**PART NR.**

|    |           |
|----|-----------|
| XS | 624-02627 |
| S  | 624-02620 |
| M  | 624-02621 |
| L  | 624-02622 |

### 6 Mini pillar



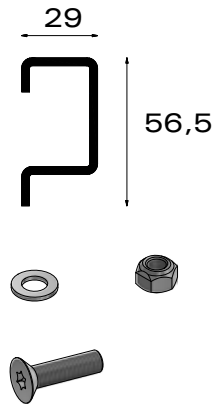
**PART NR.**

|    |           |
|----|-----------|
| XS | 624-04623 |
| S  | 624-04620 |
| M  | 624-04621 |
| L  | 624-04622 |

Extra Small (XS) = aperture height between 1920 and 2170mm  
Small (S) = aperture height between 2171 and 2420mm  
Medium (M) = aperture height between 2421 and 2700mm  
Large (L) = aperture height between 2701 and 2950mm



**1 Penta Wave rail (SS)**

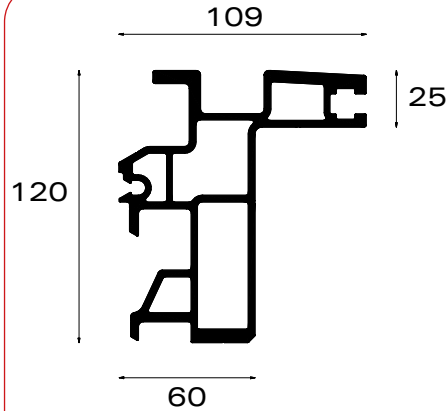


**PART NR.**

|              |           |
|--------------|-----------|
| Rail L = 3m  | 162-44304 |
| Set (1/rail) | 144-10150 |

\*stainless steel rail

**2 Duo Penta rail (Al)**

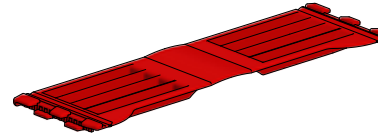


**PART NR.**

|             |           |
|-------------|-----------|
| L = 5m      | 162-30500 |
| L = 7,8m    | 162-30780 |
| L = 8,5m    | 162-30850 |
| * L = 10,5m | 162-30105 |
| * L = 13,6m | 162-30136 |

\*profile with pre-bending

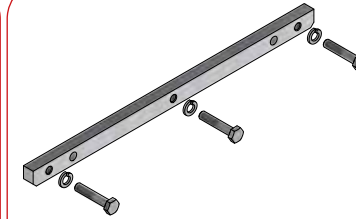
**7 Folding plate**



**PART NR.**

|          |           |
|----------|-----------|
| Type 400 | 242-01034 |
| Type 500 | 242-01035 |
| Type 600 | 242-01036 |
| Type 700 | 242-01037 |
| Type 570 | 242-01038 |
| Type 650 | 242-01039 |

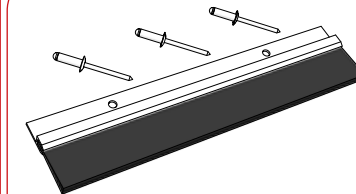
**8 Set steel insert**



**PART NR.**

Set 144-10119

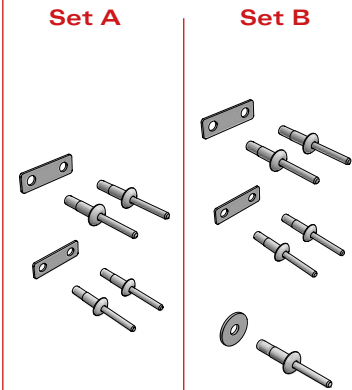
**Brush seal QL door**



**PART NR.**

Set 144-10157

**13 Set fixation curtain**



**PART NR.**

|       |           |
|-------|-----------|
| Set A | 144-10144 |
| Set B | 144-10140 |

\*1x Set A / mini pillar  
1x Set A / basic door  
2x Set A / pillar  
1x Set B / QL-door

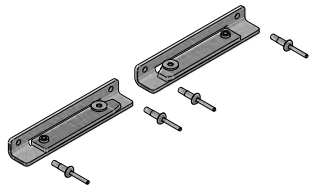
**Velcro strap**



**PART NR.**

|           |           |
|-----------|-----------|
| L = 300mm | 312-08001 |
|-----------|-----------|

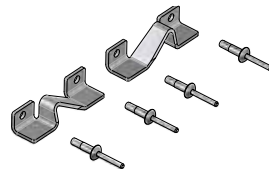
**10 Set door stopper**



**PART NR.**

|       |           |
|-------|-----------|
| Left  | 144-10171 |
| Right | 144-10172 |

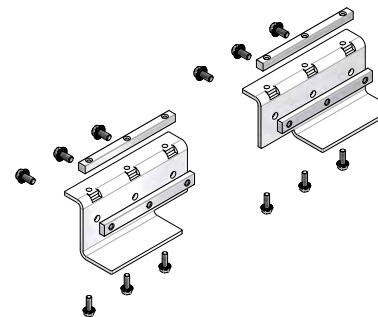
**11 Set locking nose**



**PART NR.**

|       |           |
|-------|-----------|
| Left  | 144-10177 |
| Right | 144-10178 |

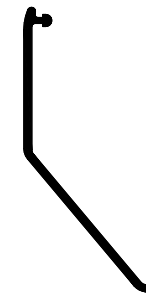
**12 Set mounting plates**



**PART NR.**

Set 154-03101

**9 PVC pelmet**



**PART NR.**

|                 |           |
|-----------------|-----------|
| L = 9m (black)  | 242-12109 |
| L = 14m (black) | 242-12114 |



pentanave<sup>®</sup>  
slørsterby vvs



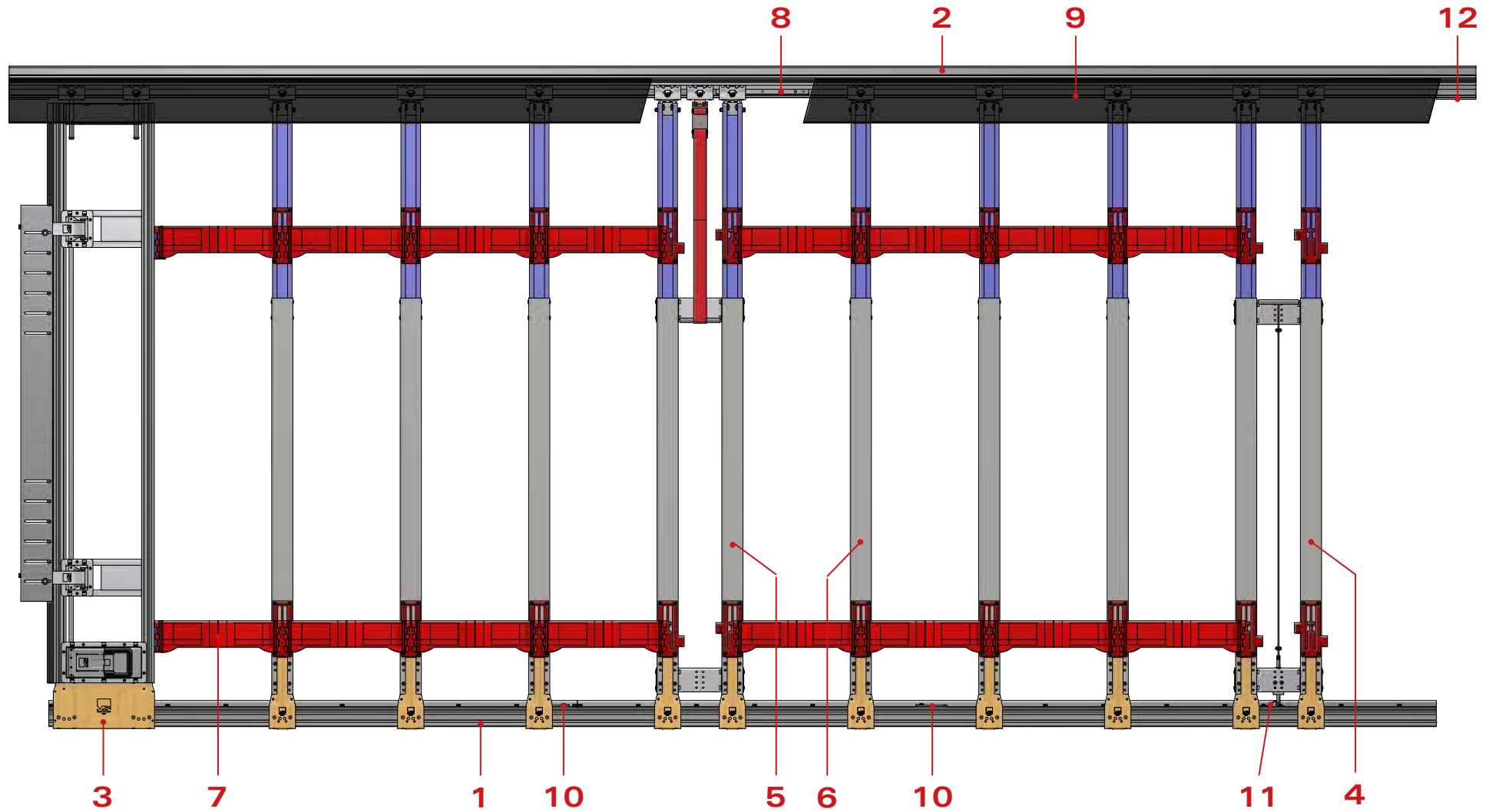
**penta**wave *SRL* 

slider systems by versus

---





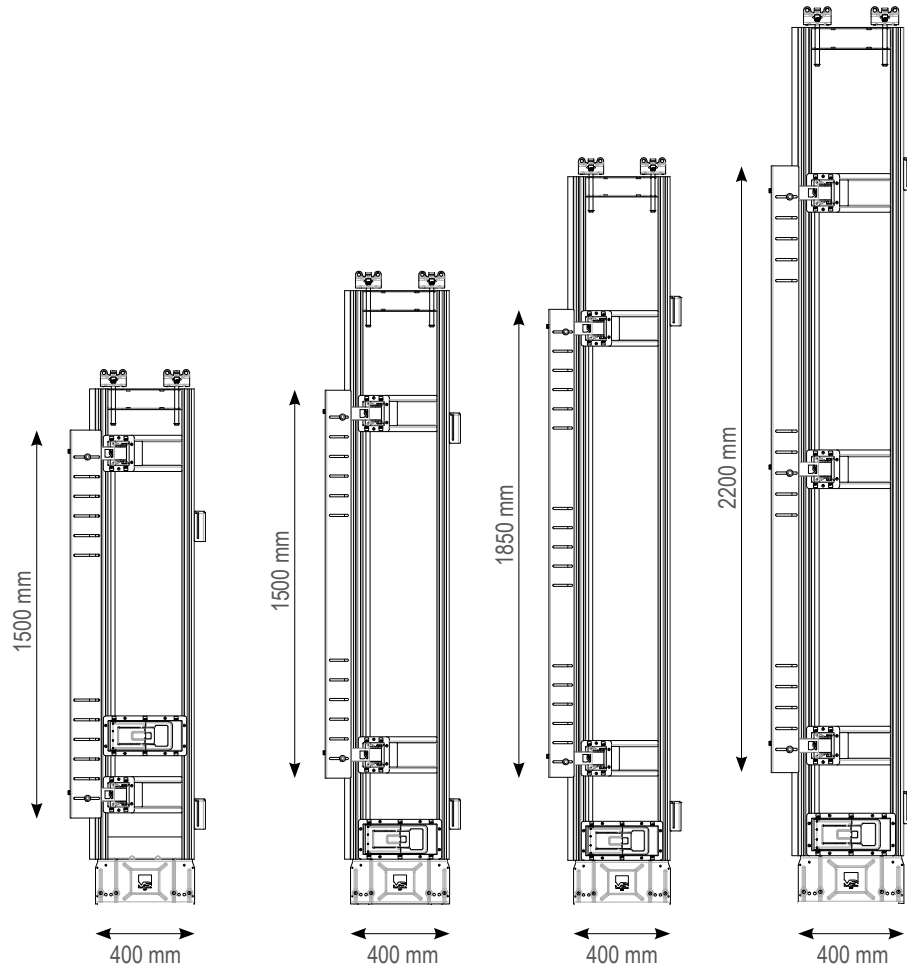


|   |                       |
|---|-----------------------|
| 1 | Penta Wave rail (RVS) |
| 2 | Duo Penta rail (Al)   |
| 3 | Quick lock door       |
| 4 | Basic door            |
| 5 | Pillar                |
| 6 | Mini pillar           |
| 7 | Folding plate         |

|     |                      |
|-----|----------------------|
| 8   | Set steel insert     |
| 9   | PVC pelmet           |
| 10  | Set door stopper     |
| 11  | Set locking nose     |
| 12  | Set mounting plates  |
| 13* | Set fixation curtain |

\* Not visible on the composition drawing above.

### 3 Quick lock door



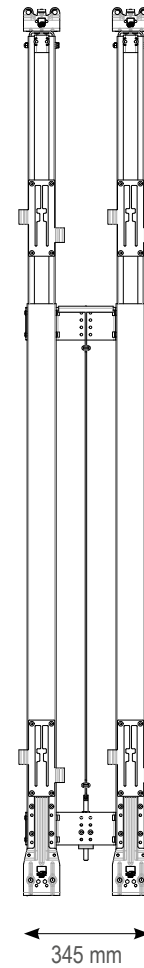
**PART NR.**      **PART NR.**      **PART NR.**      **PART NR.**

|          |           |           |           |           |
|----------|-----------|-----------|-----------|-----------|
| Left SA  | 624-01212 | 624-01200 | 624-01201 | 624-01202 |
| Right SA | 624-01213 | 624-01203 | 624-01204 | 624-01205 |
| Left LA  | 624-01214 | 624-01206 | 624-01207 | 624-01208 |
| Right LA | 624-01215 | 624-01209 | 624-01210 | 624-01211 |

Extra Small 1920-2170mm      Small 2171-2420mm      Medium 2421-2800mm      Large 2801 -2950mm

Small arm (SA) = short hinge arm covering distance of 40 to 103mm  
Large arm (LA) = long hinge arm covering distance of 103 to 190mm

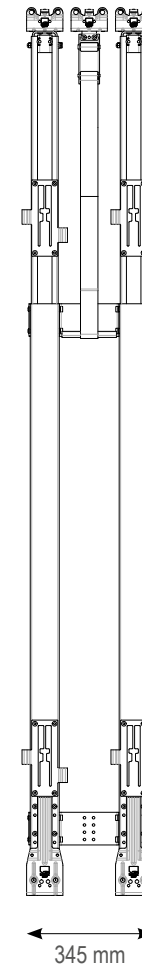
### 4 Basic door



**PART NR.**

|    |           |
|----|-----------|
| XS | 624-03223 |
| S  | 624-03220 |
| M  | 624-03221 |
| L  | 624-03222 |

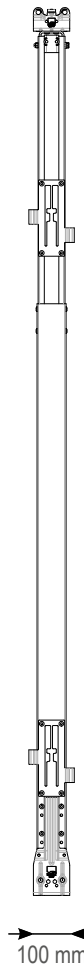
### 5 Pillar



**PART NR.**

|    |           |
|----|-----------|
| XS | 624-02227 |
| S  | 624-02220 |
| M  | 624-02221 |
| L  | 624-02222 |

### 6 Mini pillar



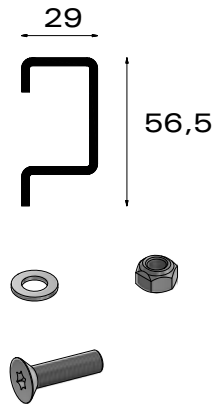
**PART NR.**

|    |           |
|----|-----------|
| XS | 624-04223 |
| S  | 624-04220 |
| M  | 624-04221 |
| L  | 624-04222 |

Extra Small (XS) = aperture height between 1920 and 2170mm  
Small (S) = aperture height between 2171 and 2420mm  
Medium (M) = aperture height between 2421 and 2700mm  
Large (L) = aperture height between 2701 and 2950mm



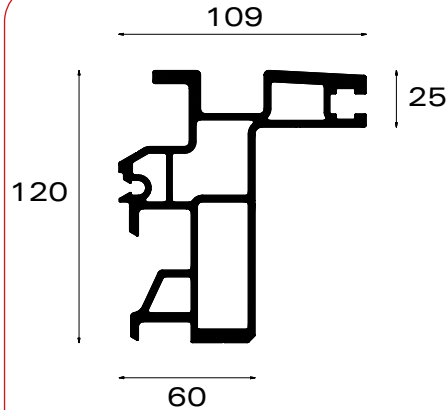
**1 Penta Wave rail (RVS)**



**PART NR.**

|              |           |
|--------------|-----------|
| Rail L = 3m  | 162-44304 |
| Set (1/rail) | 144-10150 |

**2 Duo Penta rail (Al)**

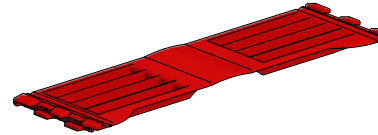


**PART NR.**

|             |           |
|-------------|-----------|
| L = 5m      | 162-30500 |
| L = 7,8m    | 162-30780 |
| L = 8,5m    | 162-30850 |
| * L = 10,5m | 162-30105 |
| * L = 13,6m | 162-30136 |

\*profile with pre-bending

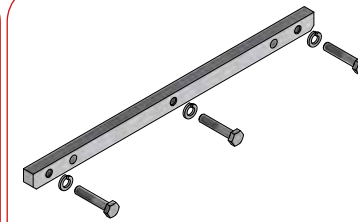
**7 Folding plate**



**PART NR.**

|          |           |
|----------|-----------|
| Type 400 | 242-01034 |
| Type 500 | 242-01035 |
| Type 600 | 242-01036 |
| Type 700 | 242-01037 |
| Type 570 | 242-01038 |
| Type 650 | 242-01039 |

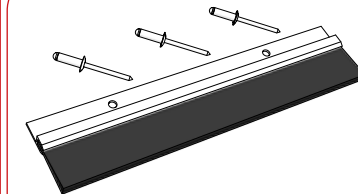
**8 Set steel insert**



**PART NR.**

Set 144-10119

**Brush seal QL door**

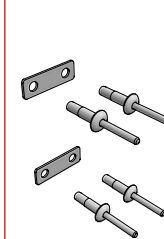


**PART NR.**

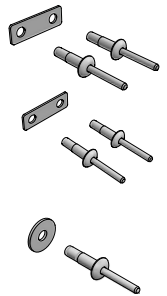
Set 144-10157

**13 Set fixation curtain**

**Set A**



**Set B**



**PART NR.**

Set A 144-10144

Set B 144-10140

\*1x Set A / mini pillar  
1x Set A / basic door  
2x Set A / pillar  
1x Set B / QL-door

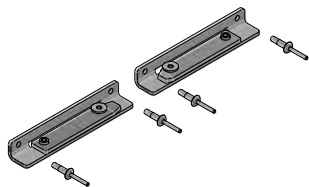
**Velcro strap**



**PART NR.**

L = 300mm 312-08001

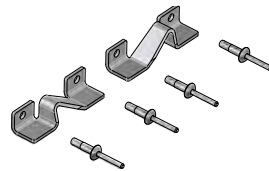
**10 Set door stopper**



**PART NR.**

|       |           |
|-------|-----------|
| Left  | 144-10171 |
| Right | 144-10172 |

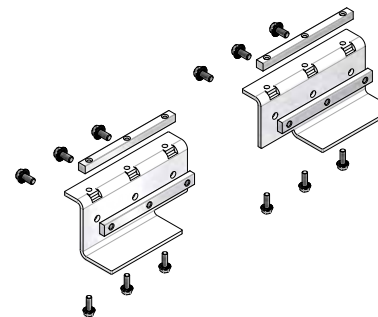
**11 Set locking nose**



**PART NR.**

|       |           |
|-------|-----------|
| Left  | 144-10177 |
| Right | 144-10178 |

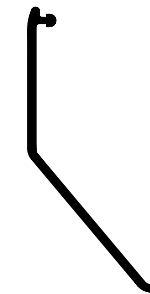
**12 Set mounting plates**



**PART NR.**

Set 154-03101

**9 PVC pelmet**



**PART NR.**

|                 |           |
|-----------------|-----------|
| L = 9m (black)  | 242-12109 |
| L = 14m (black) | 242-12114 |



**pentanave**<sup>®</sup>  
slørsterby v/s





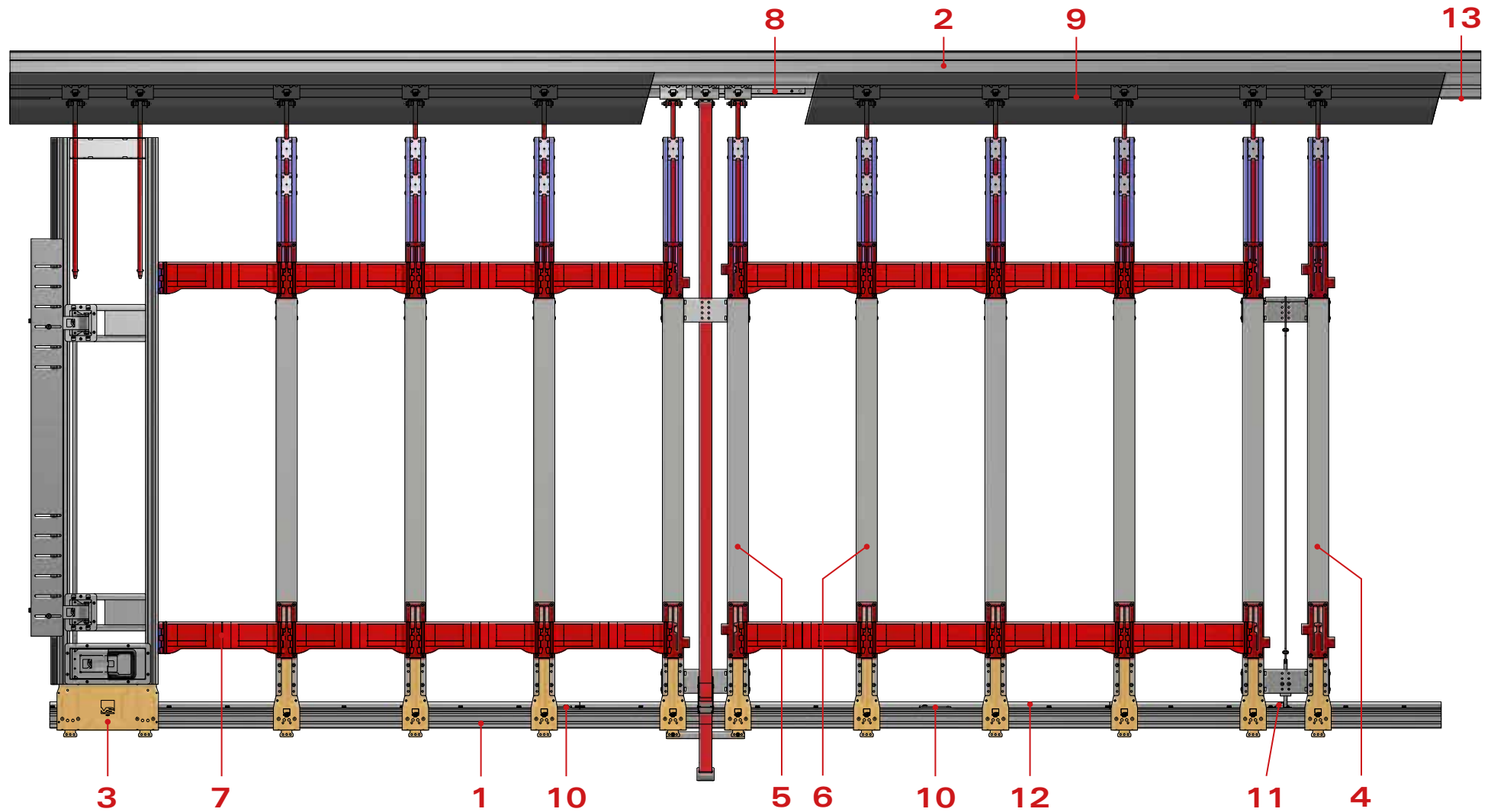
**pentawave**  
slider systems by versus

---



**axces**  
lifting systems

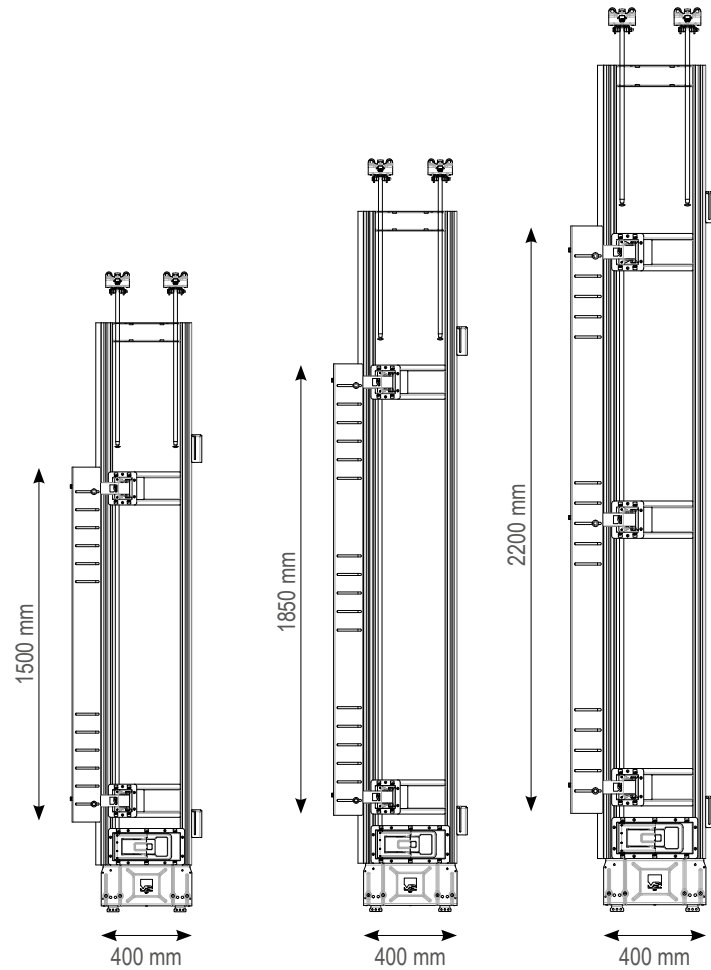




|          |                      |            |                      |
|----------|----------------------|------------|----------------------|
| <b>1</b> | Penta Wave rail (Al) | <b>8</b>   | Set steel insert     |
| <b>2</b> | Alto Penta rail (Al) | <b>9</b>   | PVC pelmet           |
| <b>3</b> | Quick lock door      | <b>10</b>  | Set door stopper     |
| <b>4</b> | Basic door           | <b>11</b>  | Set locking nose     |
| <b>5</b> | Pillar               | <b>12</b>  | Set steel protection |
| <b>6</b> | Mini pillar          | <b>13</b>  | Set mounting plates  |
| <b>7</b> | Folding plate        | <b>14*</b> | Set fixation curtain |

\* Not visible on the composition drawing above

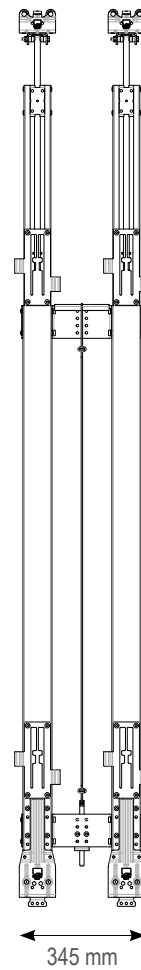
### 3 Quick lock door



**PART NR.**      **PART NR.**      **PART NR.**

|          |                      |                       |                      |
|----------|----------------------|-----------------------|----------------------|
| Left SA  | 624-01500            | 624-01501             | 624-01502            |
| Right SA | 624-01503            | 624-01504             | 624-01505            |
| Left LA  | 624-01506            | 624-01507             | 624-01508            |
| Right LA | 624-01509            | 624-01510             | 624-01511            |
|          | Small<br>2200-2480mm | Medium<br>2481-2800mm | Large<br>2801-2950mm |

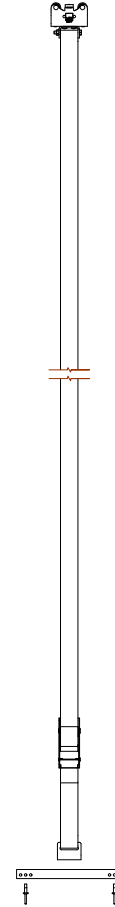
### 4 Basic door



**PART NR.**

|   |           |
|---|-----------|
| S | 624-03520 |
| M | 624-03521 |
| L | 624-03522 |

### Set tension belt

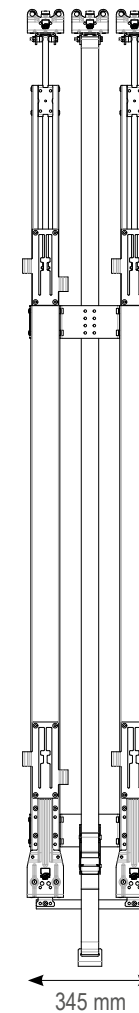


**PART NR.**

|     |           |
|-----|-----------|
| Set | 144-10173 |
|-----|-----------|

\* Used in basic door when no Quick lock door in front

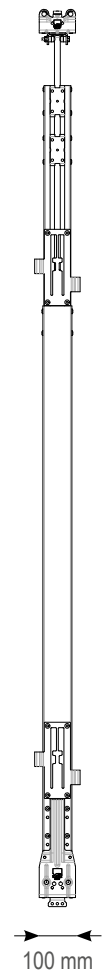
### 5 Pillar



**PART NR.**

|   |           |
|---|-----------|
| S | 624-02520 |
| M | 624-02521 |
| L | 624-02522 |

### 6 Mini pillar



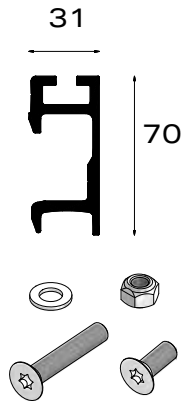
**PART NR.**

|   |           |
|---|-----------|
| S | 624-04520 |
| M | 624-04521 |
| L | 624-04522 |

Small arm (SA) = short hinge arm covering distance of 40 to 103mm  
Large arm (LA) = long hinge arm covering distance of 103 to 190mm

Small (S) = aperture height between 2200 and 2480mm  
Medium (M) = aperture height between 2481 and 2700mm  
Large (L) = aperture height between 2701 and 2950mm

### 1 Penta Wave rail (Al)



**PART NR.**

Rail L = 7m 162-31700  
Set (1set/m) 144-10126

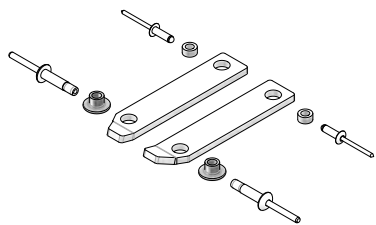
### Velcro strap



**PART NR.**

L = 300mm 312-08001

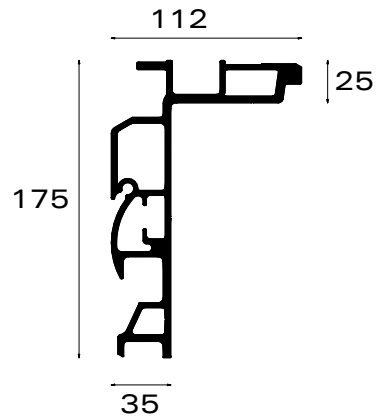
### 10 Set door stopper



**PART NR.**

Left 144-10122  
Right 144-10123

### 2 Alto Penta rail (Al)

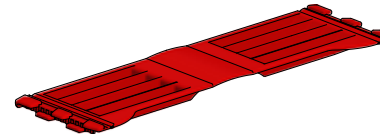


**PART NR.**

L = 7,8m 162-37780  
L = 8,5m 162-37850  
\* L = 13,6m 162-37136

\*profile with pre-bending

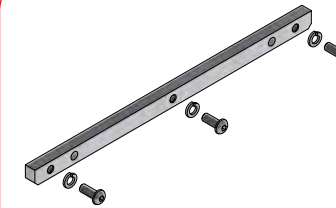
### 7 Folding plate



**PART NR.**

|          |           |
|----------|-----------|
| Type 400 | 242-01034 |
| Type 500 | 242-01035 |
| Type 600 | 242-01036 |
| Type 700 | 242-01037 |
| Type 570 | 242-01038 |
| Type 650 | 242-01039 |

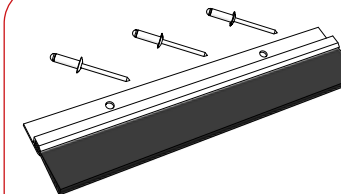
### 8 Set steel insert



**PART NR.**

Set 144-10119

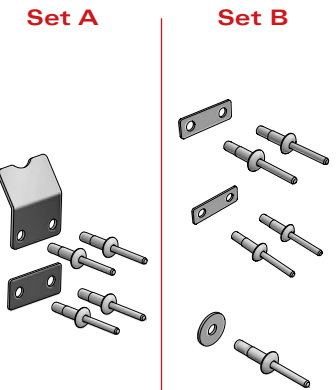
### Brush seal QL door



**PART NR.**

Set 144-10157

### 14 Set fixation curtain

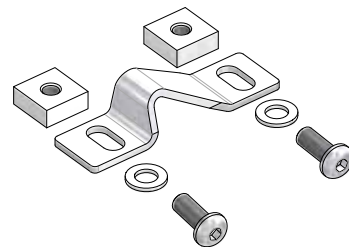


**PART NR.**

Set A 144-10145  
Set B 144-10140

\*1x Set A / mini pillar  
1x Set A / basic door  
2x Set A / pillar  
1x Set B / QL-door

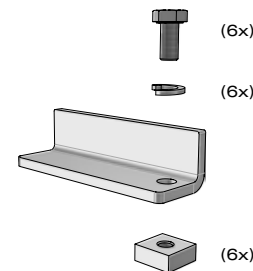
### 11 Set locking nose



**PART NR.**

Set 144-10146

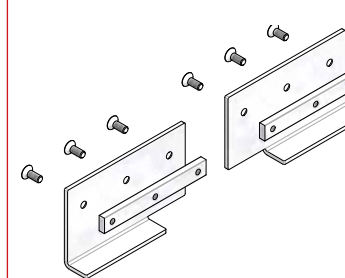
### 12 Set steel protection



**PART NR.**

Rail L = 2m 152-50002  
Set (1/rail) 144-10116

### 13 Set mounting plates



**PART NR.**

Set 154-03100

### 9 PVC pelmet (black)



**PART NR.**

L = 9m 242-16109  
L = 14m 242-16114







**penta**wave *SR* 

slider systems by versus

---



**axces**

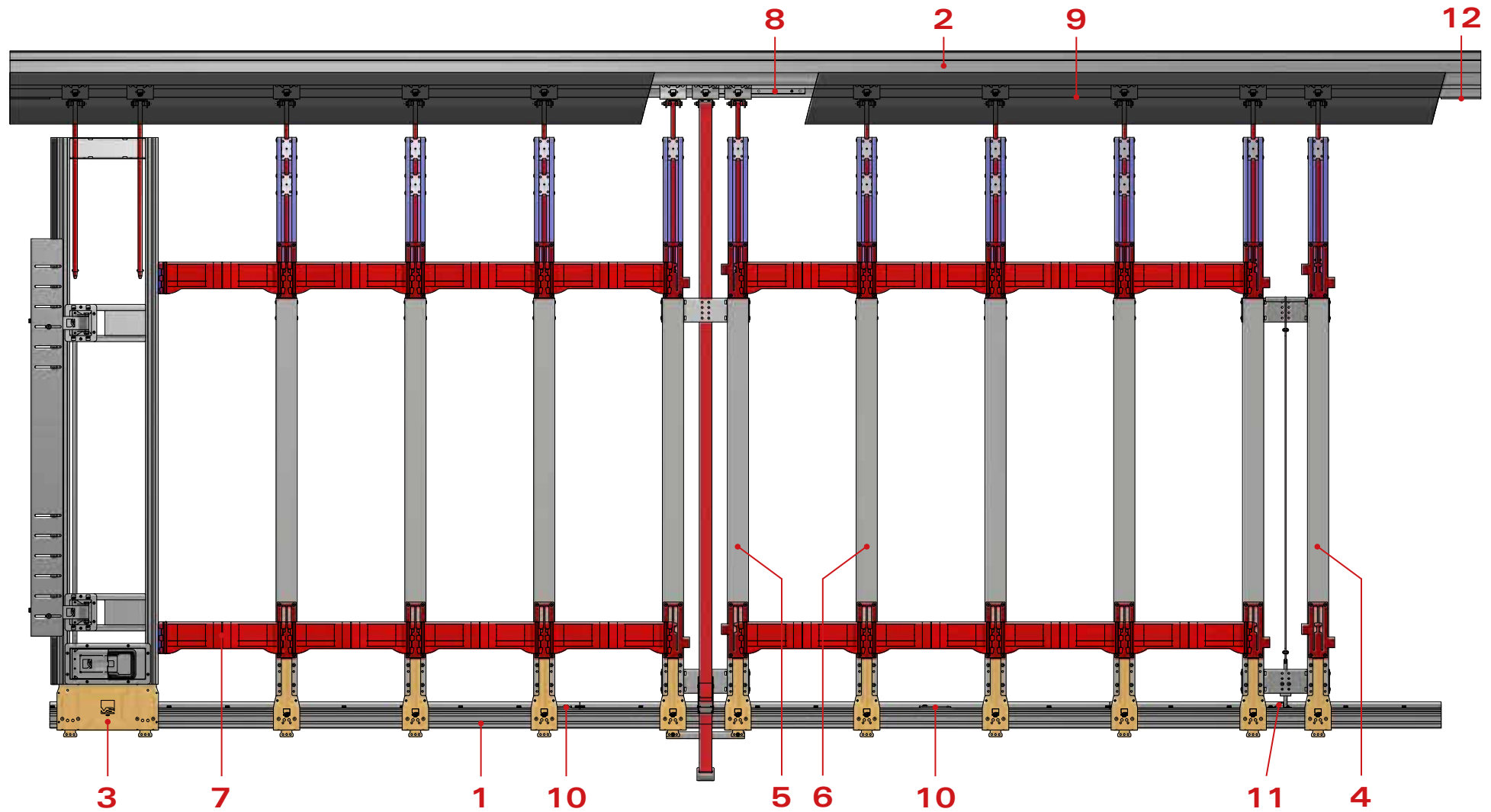
lifting systems





**vs** pentawave<sup>®</sup>  
slider systems by versus



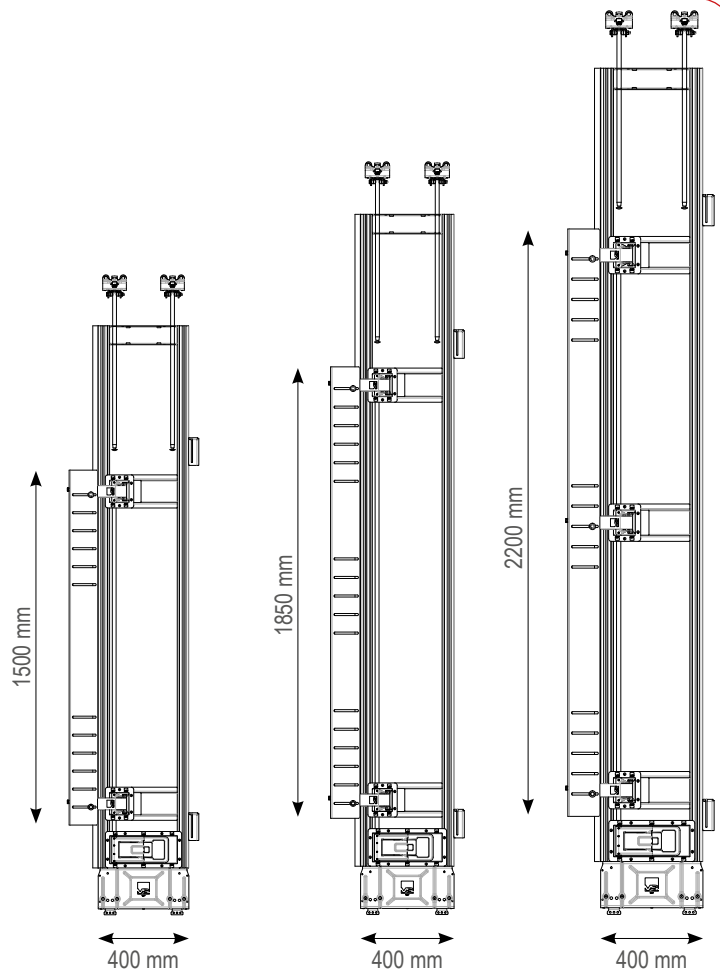


|          |                      |
|----------|----------------------|
| <b>1</b> | Penta Wave rail (SS) |
| <b>2</b> | Alto Penta rail (Al) |
| <b>3</b> | Quick lock door      |
| <b>4</b> | Basic door           |
| <b>5</b> | Pillar               |
| <b>6</b> | Mini pillar          |
| <b>7</b> | Folding plate        |

|            |                      |
|------------|----------------------|
| <b>8</b>   | Set steel insert     |
| <b>9</b>   | PVC pelmet           |
| <b>10</b>  | Set door stopper     |
| <b>11</b>  | Set locking nose     |
| <b>12</b>  | Set mounting plates  |
| <b>13*</b> | Set fixation curtain |

\* Not visible on the composition drawing above

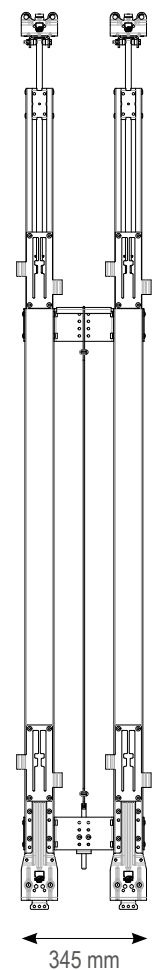
### 3 Quick lock door



**PART NR.**      **PART NR.**      **PART NR.**

|          |             |             |             |
|----------|-------------|-------------|-------------|
| Left SA  | 624-01700   | 624-01701   | 624-01702   |
| Right SA | 624-01703   | 624-01704   | 624-01705   |
| Left LA  | 624-01706   | 624-01707   | 624-01708   |
| Right LA | 624-01709   | 624-01710   | 624-01711   |
|          | Small       | Medium      | Large       |
|          | 2200-2480mm | 2481-2800mm | 2801-2950mm |

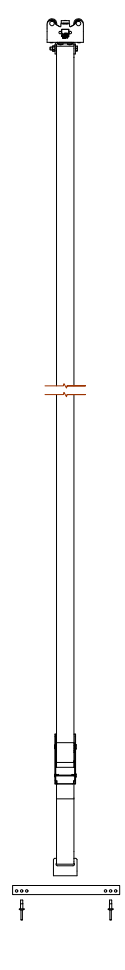
### 4 Basic door



**PART NR.**

|   |           |
|---|-----------|
| S | 624-03720 |
| M | 624-03721 |
| L | 624-03722 |

### Set tension belt

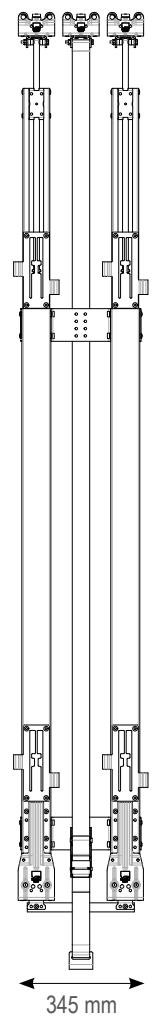


**PART NR.**

|     |           |
|-----|-----------|
| Set | 144-10173 |
|-----|-----------|

\* Used in basic door when no Quick lock door in front

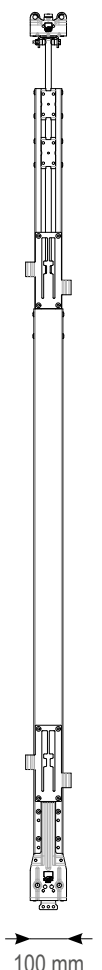
### 5 Pillar



**PART NR.**

|   |           |
|---|-----------|
| S | 624-02720 |
| M | 624-02721 |
| L | 624-02722 |

### 6 Mini pillar



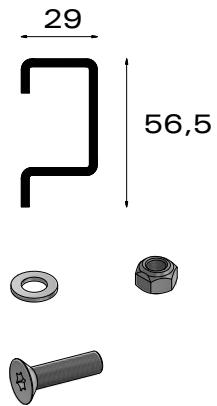
**PART NR.**

|   |           |
|---|-----------|
| S | 624-04720 |
| M | 624-04721 |
| L | 624-04722 |

Small arm (SA) = short hinge arm covering distance of 40 to 103mm  
 Large arm (LA) = long hinge arm covering distance of 103 to 190mm

Small (S) = aperture height between 2200 and 2480mm  
 Medium (M) = aperture height between 2481 and 2700mm  
 Large (L) = aperture height between 2701 and 2950mm

### 1 Penta Wave rail (SS)



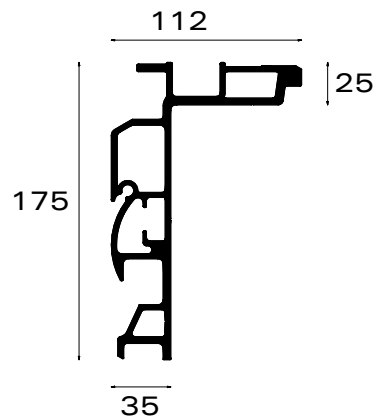
**PART NR.**

Rail L = 3m 162-44304

Set (1/rail) 144-10150

\*stainless steel rail

### 2 Alto Penta rail (Al)



**PART NR.**

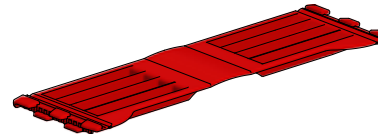
L = 7,8m 162-37780

L = 8,5m 162-37850

\* L = 13,6m 162-37136

\*profile with pre-bending

### 7 Folding plate



**PART NR.**

Type 400 242-01034

Type 500 242-01035

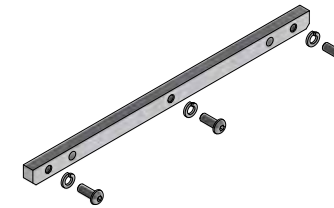
Type 600 242-01036

Type 700 242-01037

Type 570 242-01038

Type 650 242-01039

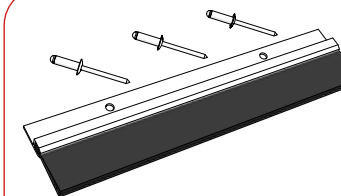
### 8 Set steel insert



**PART NR.**

Set 144-10119

### Brush seal QL door



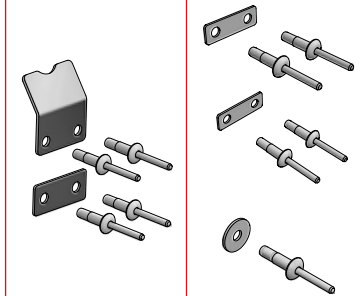
**PART NR.**

Set 144-10157

### 14 Set fixation curtain

Set A

Set B



**PART NR.**

Set A 144-10145

Set B 144-10140

\*1x Set A / mini pillar  
1x Set A / basic door  
2x Set A / pillar  
1x Set B / QL-door

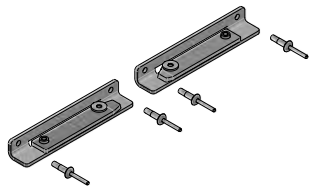
### Velcro strap



**PART NR.**

L = 300mm 312-08001

### 10 Set door stopper

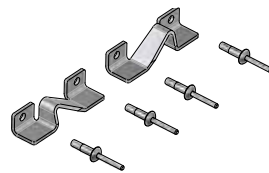


**PART NR.**

Left 144-10171

Right 144-10172

### 11 Set locking nose

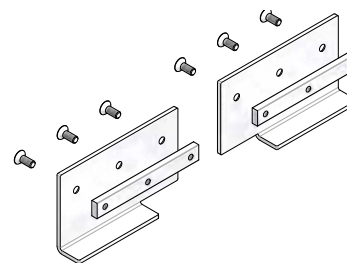


**PART NR.**

Left 144-10177

Right 144-10178

### 13 Set mounting plates



**PART NR.**

Set 154-03100

### 9 PVC pelmet (black)



**PART NR.**

L = 9m 242-16109

L = 14m 242-16114





 **penta**wave *SRL*   
slider systems by versus

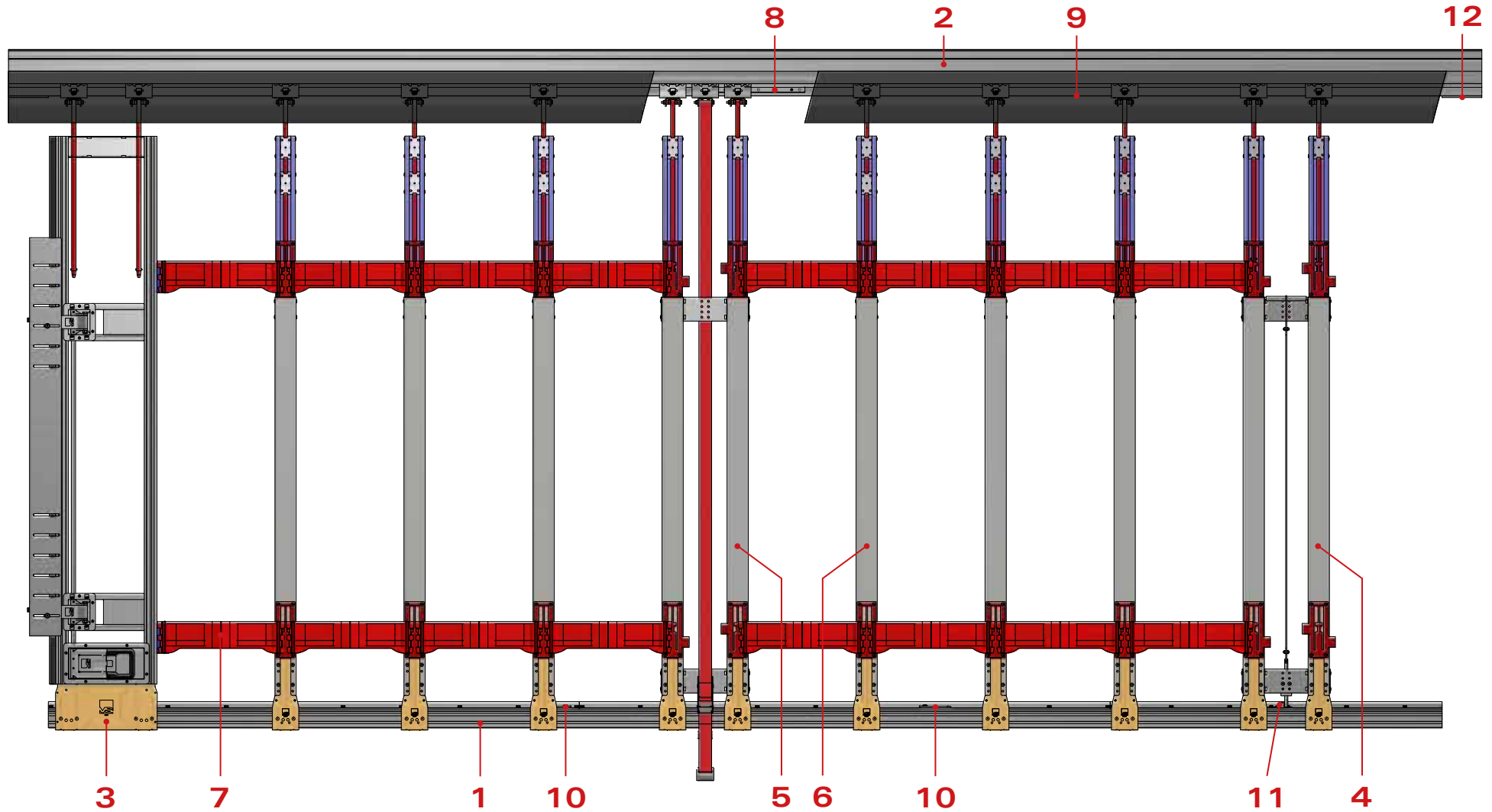
---

 **axces**  
lifting systems





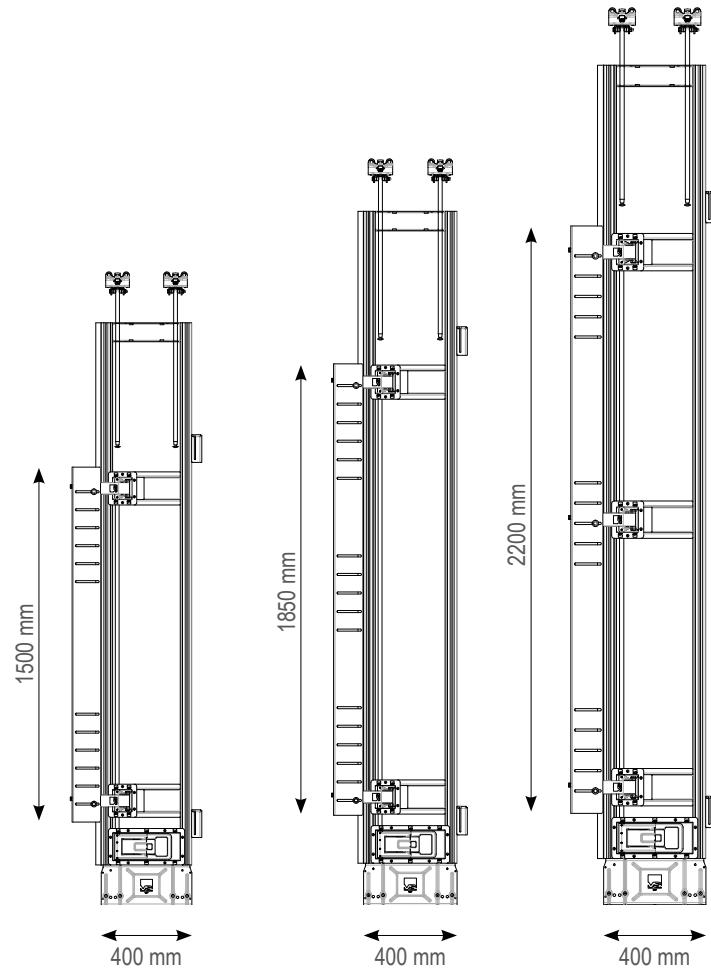
**vs** pentawave<sup>®</sup>  
slider systems by versus



|   |                       |     |                      |
|---|-----------------------|-----|----------------------|
| 1 | Penta Wave rail (RVS) | 8   | Set steel insert     |
| 2 | Alto Penta rail (Al)  | 9   | PVC pelmet           |
| 3 | Quick lock door       | 10  | Set door stopper     |
| 4 | Basic door            | 11  | Set locking nose     |
| 5 | Pillar                | 12  | Set mounting plates  |
| 6 | Mini pillar           | 13* | Set fixation curtain |
| 7 | Folding plate         |     |                      |

\* Not visible on the composition drawing above

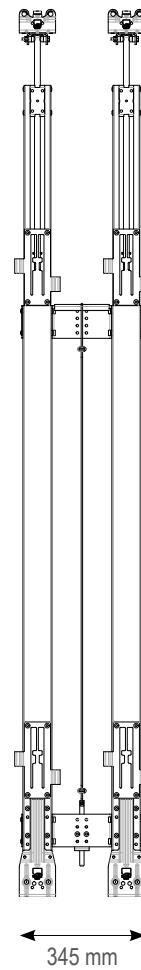
### 3 Quick lock door



**PART NR.**      **PART NR.**      **PART NR.**

|          |                      |                       |                      |
|----------|----------------------|-----------------------|----------------------|
| Left SA  | 624-01300            | 624-01301             | 624-01302            |
| Right SA | 624-01303            | 624-01304             | 624-01305            |
| Left LA  | 624-01306            | 624-01307             | 624-01308            |
| Right LA | 624-01309            | 624-01310             | 624-01311            |
|          | Small<br>2200-2480mm | Medium<br>2481-2800mm | Large<br>2801-2950mm |

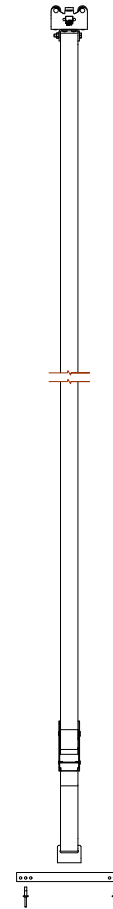
### 4 Basic door



**PART NR.**

|   |           |
|---|-----------|
| S | 624-03320 |
| M | 624-03321 |
| L | 624-03322 |

### Set tension belt

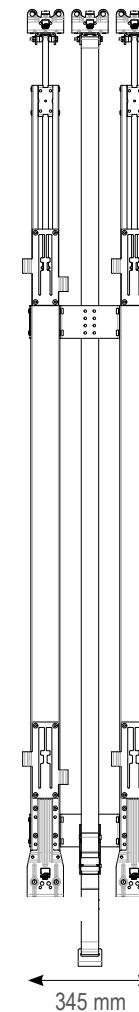


**PART NR.**

|     |           |
|-----|-----------|
| Set | 144-10173 |
|-----|-----------|

\* Used in basic door when no Quick lock door in front

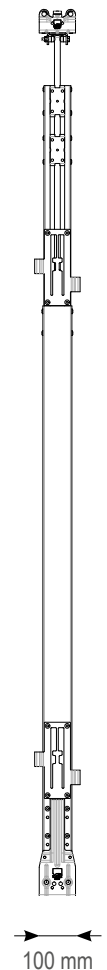
### 5 Pillar



**PART NR.**

|   |           |
|---|-----------|
| S | 624-02320 |
| M | 624-02321 |
| L | 624-02322 |

### 6 Mini pillar



**PART NR.**

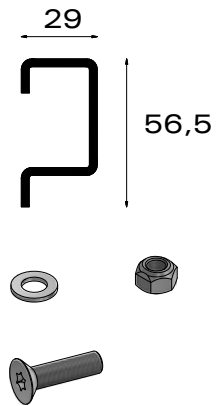
|   |           |
|---|-----------|
| S | 624-04320 |
| M | 624-04321 |
| L | 624-04322 |

Small arm (SA) = short hinge arm covering distance of 40 to 103mm  
 Large arm (LA) = long hinge arm covering distance of 103 to 190mm

Small (S) = aperture height between 2200 and 2480mm  
 Medium (M) = aperture height between 2481 and 2700mm  
 Large (L) = aperture height between 2701 and 2950mm



### 1 Penta Wave rail (RVS)



**PART NR.**

|              |           |
|--------------|-----------|
| Rail L = 3m  | 162-44304 |
| Set (1/rail) | 144-10150 |

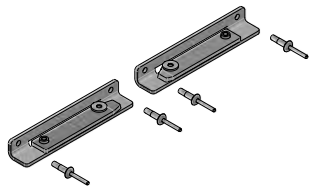
### Velcro strap



**PART NR.**

|           |           |
|-----------|-----------|
| L = 300mm | 312-08001 |
|-----------|-----------|

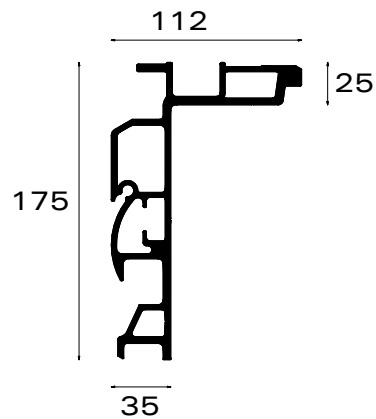
### 10 Set door stopper



**PART NR.**

|       |           |
|-------|-----------|
| Left  | 144-10171 |
| Right | 144-10172 |

### 2 Alto Penta rail (Al)

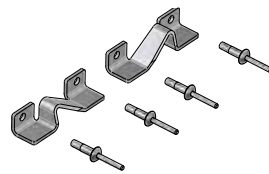


**PART NR.**

|             |           |
|-------------|-----------|
| L = 7,8m    | 162-37780 |
| L = 8,5m    | 162-37850 |
| * L = 13,6m | 162-37136 |

\*profile with pre-bending

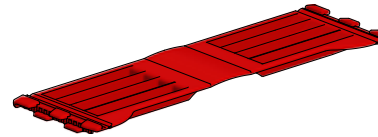
### 11 Set locking nose



**PART NR.**

|       |           |
|-------|-----------|
| Left  | 144-10177 |
| Right | 144-10178 |

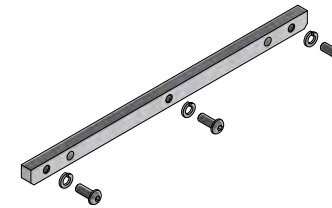
### 7 Folding plate



**PART NR.**

|          |           |
|----------|-----------|
| Type 400 | 242-01034 |
| Type 500 | 242-01035 |
| Type 600 | 242-01036 |
| Type 700 | 242-01037 |
| Type 570 | 242-01038 |
| Type 650 | 242-01039 |

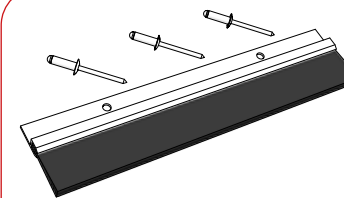
### 8 Set steel insert



**PART NR.**

Set 144-10119

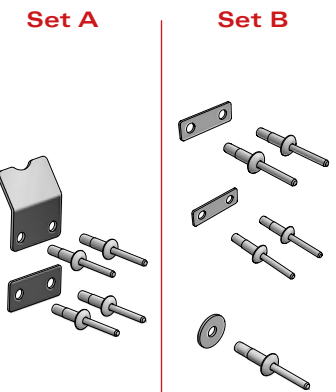
### Brush seal QL door



**PART NR.**

Set 144-10157

### 14 Set fixation curtain

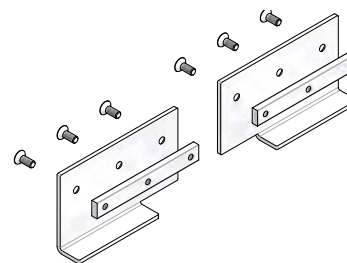


**PART NR.**

|       |           |
|-------|-----------|
| Set A | 144-10145 |
| Set B | 144-10140 |

\*1x Set A / mini pillar  
1x Set A / basic door  
2x Set A / pillar  
1x Set B / QL-door

### 13 Set mounting plates



**PART NR.**

Set 154-03100

### 9 PVC pelmet (black)



**PART NR.**

|         |           |
|---------|-----------|
| L = 9m  | 242-16109 |
| L = 14m | 242-16114 |





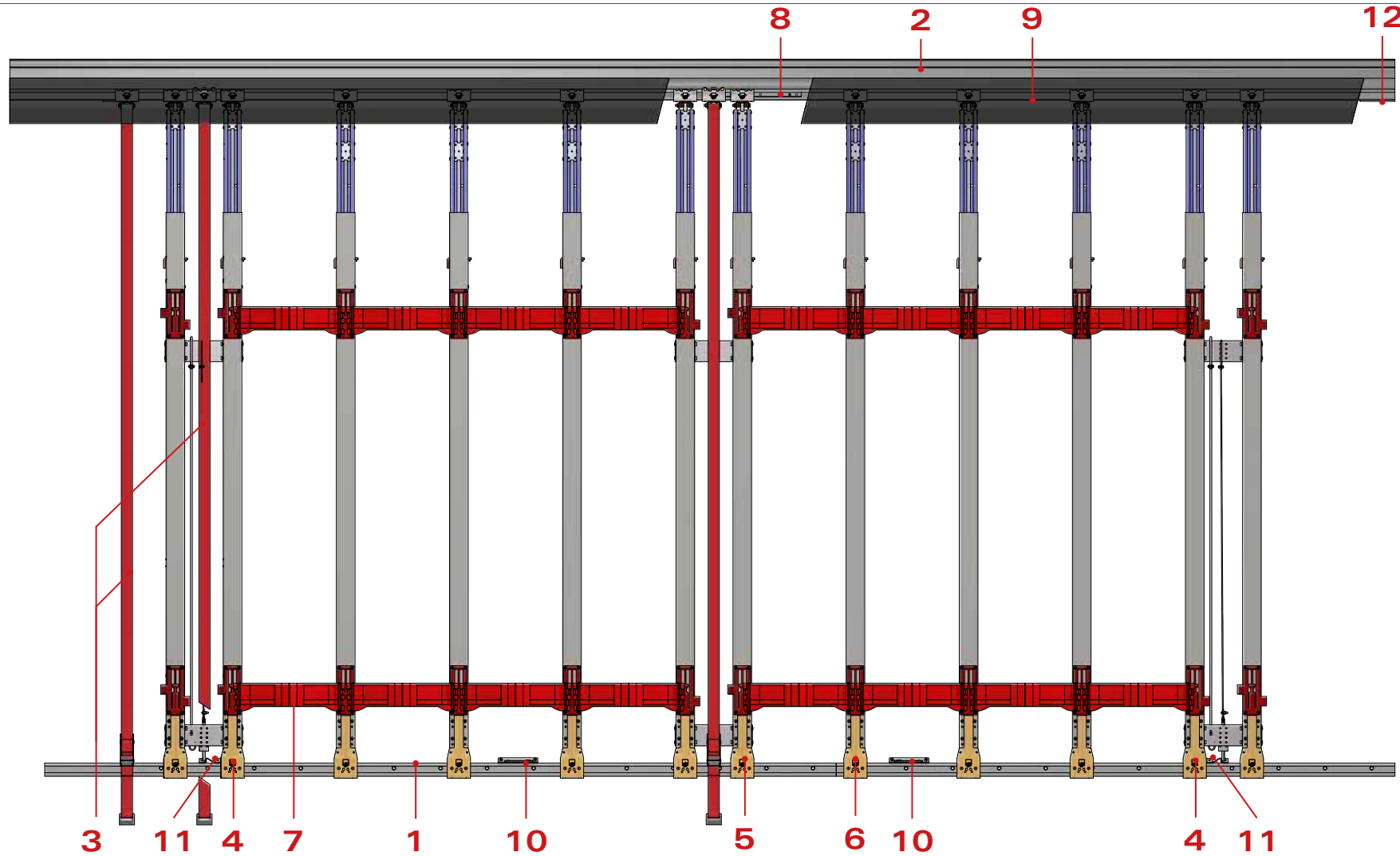
**pentawave**  
slider systems by versus

---



**megaaxces**  
lifting systems by versus





|   |                      |
|---|----------------------|
| 1 | Penta Wave rail (SS) |
| 2 | Alto Penta rail (Al) |
| 3 | Set tension belt     |
| 4 | Basic door           |
| 5 | Pillar               |
| 6 | Mini pillar          |
| 7 | Folding plate        |

|     |                      |
|-----|----------------------|
| 8   | Set steel insert     |
| 9   | PVC pelmet           |
| 10  | Set door stopper     |
| 11  | Set locking nose     |
| 12  | Set mounting plates  |
| 13* | Set fixation curtain |

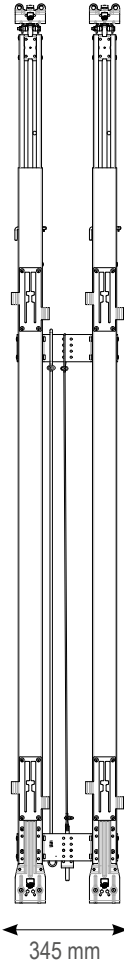
\* Not visible on the composition drawing above

**3 Set tension belt**



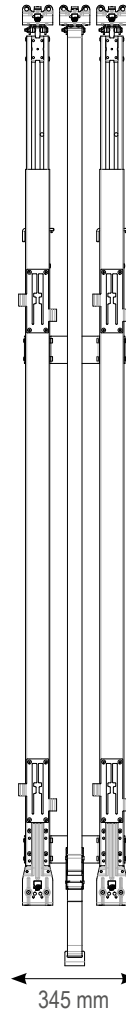
**PART NR.**  
**144-10173**  
2x / system

**4 Basic door**



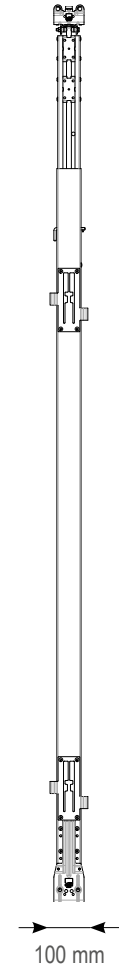
**PART NR.**  
**624-03100**

**5 Pillar**



**PART NR.**  
**624-02100**

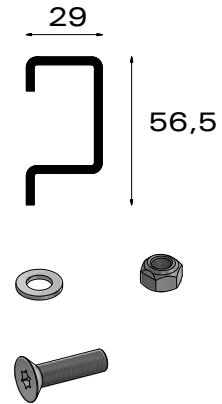
**6 Mini pillar**



**PART NR.**  
**624-04100**



### 1 Penta Wave rail (SS)

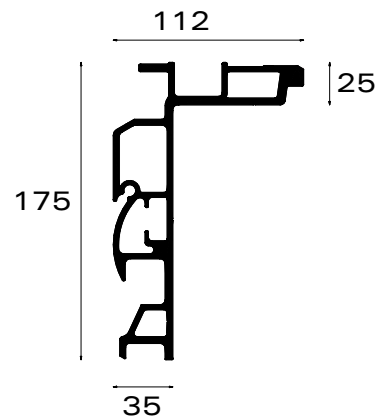


**PART NR.**

|              |           |
|--------------|-----------|
| Rail L = 3m  | 162-44304 |
| Set (1/rail) | 144-10150 |

\*stainless steel rail

### 2 Alto Penta rail (Al)

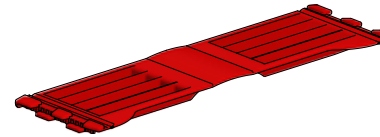


**PART NR.**

|             |           |
|-------------|-----------|
| L = 7,8m    | 162-37780 |
| L = 8,5m    | 162-37850 |
| * L = 13,6m | 162-37136 |

\*profile with pre-bending & milling

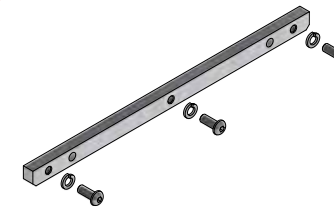
### 7 Folding plate



**PART NR.**

|          |           |
|----------|-----------|
| Type 400 | 242-01034 |
| Type 500 | 242-01035 |
| Type 600 | 242-01036 |
| Type 700 | 242-01037 |
| Type 570 | 242-01038 |
| Type 650 | 242-01039 |

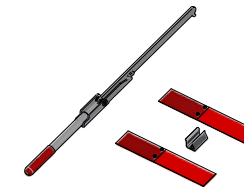
### 8 Set steel insert



**PART NR.**

Set 144-10119

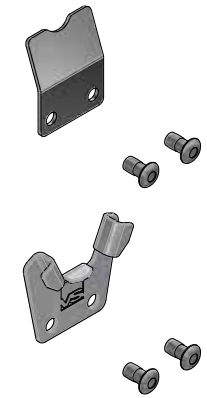
### Set operating lever



**PART NR.**

Set 144-10180

### 13 Set fixation curtain



**PART NR.**

Set 144-10163

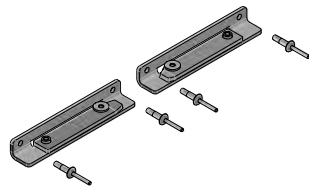
### Velcro strap



**PART NR.**

L = 300mm 312-08001

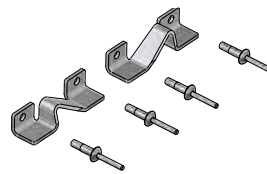
### 10 Set door stopper



**PART NR.**

|       |           |
|-------|-----------|
| Left  | 144-10171 |
| Right | 144-10172 |

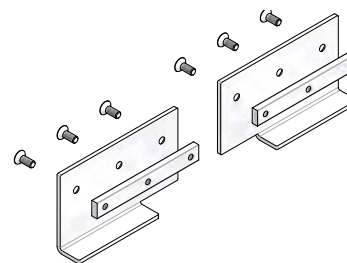
### 11 Set locking nose



**PART NR.**

|       |           |
|-------|-----------|
| Left  | 144-10177 |
| Right | 144-10178 |

### 12 Set mounting plates



**PART NR.**

Set 154-03100

### 9 PVC pelmet (black)



**PART NR.**

|         |           |
|---------|-----------|
| L = 9m  | 242-16109 |
| L = 14m | 242-16114 |





**pentacity**<sup>®</sup>  
slider systems by versus

quick and safe through town





ไทยเบฟเวอเรจ โลจิสติก

a member of Thai Beverage ThaiBev

TBL

Thai Beverage Logistics

EVM 240

EVM 240

TBL





Assurance Interim

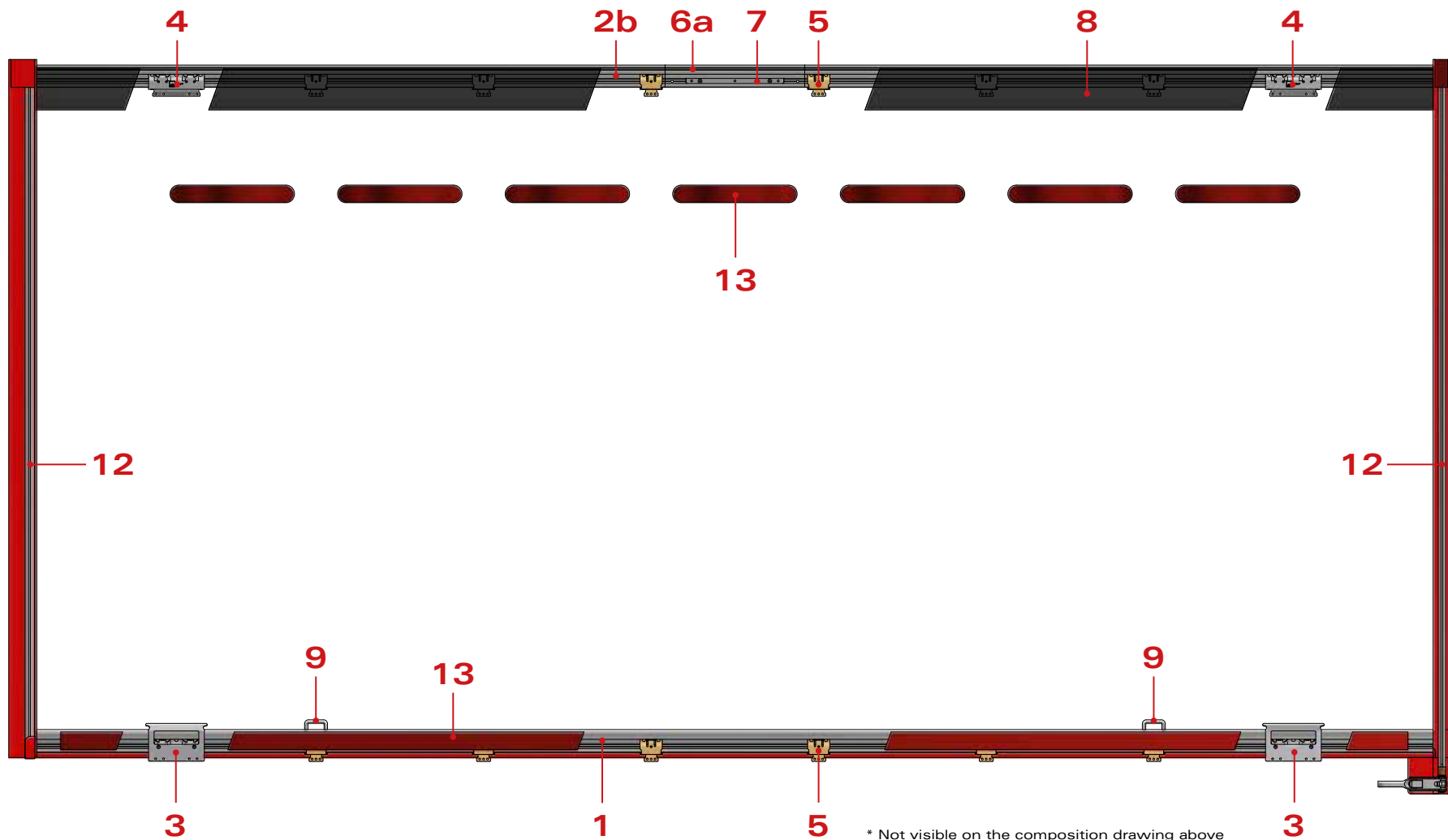
**TBL**

The Beverage Logistics

**TBL**

The Beverage Logistics

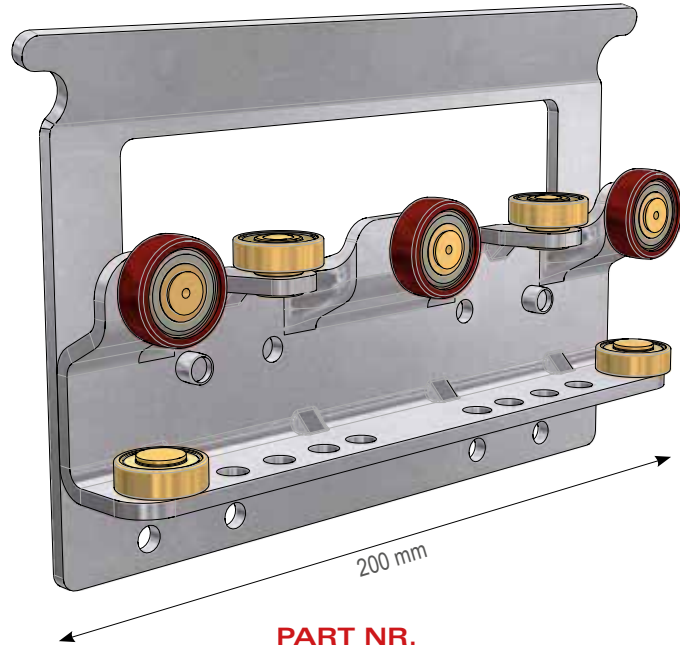




\* Not visible on the composition drawing above

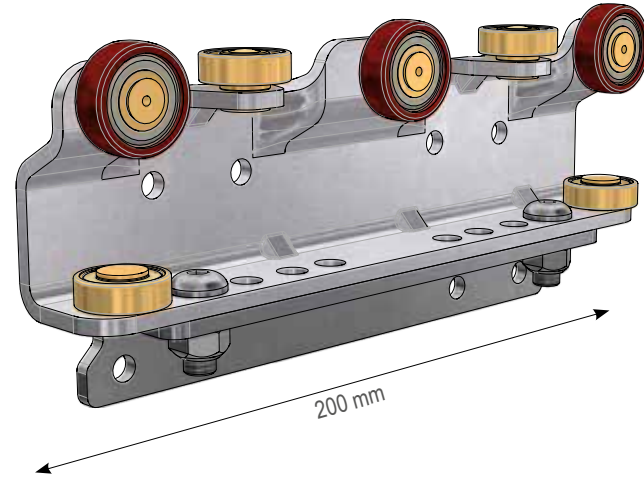
|            |                             |            |                        |
|------------|-----------------------------|------------|------------------------|
| <b>1</b>   | Penta City rail type B (Al) | <b>6b*</b> | Rail insert Solo Penta |
| <b>2a*</b> | Duo Penta rail (Al)         | <b>7</b>   | Set steel insert       |
| <b>2b</b>  | Penta City rail (Al)        | <b>8</b>   | PVC pelmet             |
| <b>2c*</b> | Solo Penta rail (Al)        | <b>9</b>   | Set door stopper       |
| <b>3</b>   | P200 roller (bottom)        | <b>10*</b> | Set fixation curtain   |
| <b>4</b>   | P200 roller (top)           | <b>11*</b> | Set mounting plates    |
| <b>5</b>   | Penta City roller           | <b>12</b>  | Tension tube & ratchet |
| <b>6a</b>  | Rail insert Penta City      | <b>13</b>  | PP band                |

**3 P200 roller (bottom)**



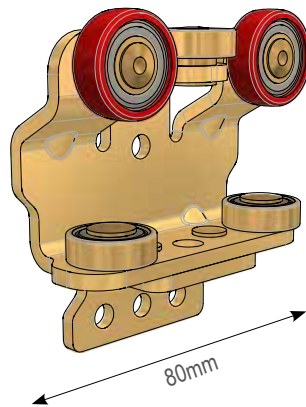
**PART NR.**  
**614-05004**

**4 P200 roller (top)**



**PART NR.**  
**614-05005**

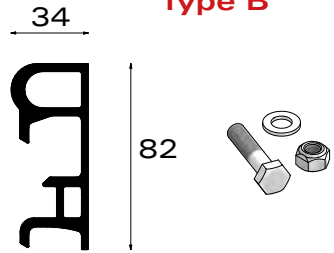
**5 Penta City roller**



**PART NR.**  
**284-50020**



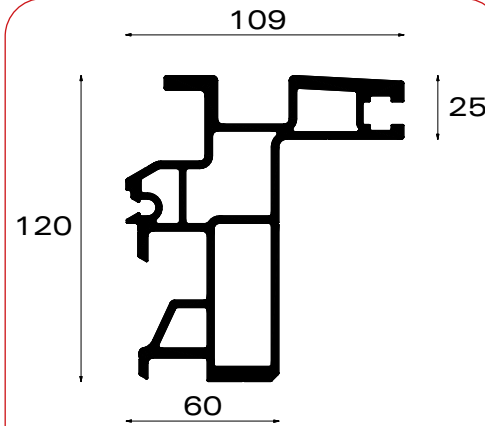
**1 Penta City rail (Al)  
Type B**



**PART NR.**

Rail L = 7m 162-40700  
Set (1set/m) 144-10129

**2a Duo Penta rail (Al)**

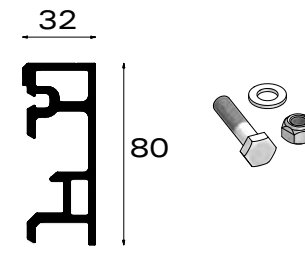


**PART NR.**

L = 5m 162-30500  
L = 7,8m 162-30780  
L = 8,5m 162-30850  
\* L = 10,5m 162-30105  
\* L = 13,6m 162-30136

\*Profile with pre-bending & milling

**2b Penta City rail (Al)**

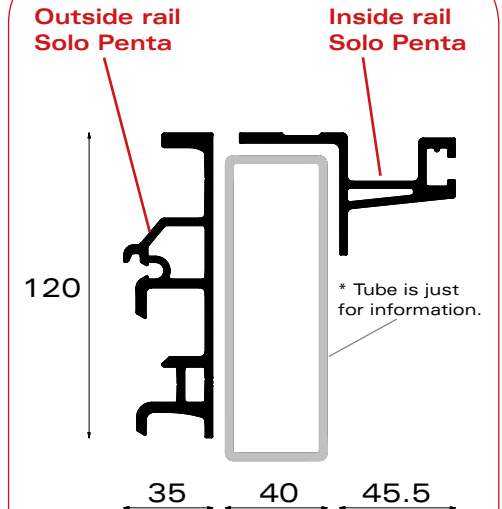


**PART NR.**

Rail L = 7m 162-29700  
Set (1set/m) 144-10129

\*Use this rail with a steel frame

**2c Solo Penta rail (Al)**



**PART NR.**

Rail (out) L = 7,8m 162-41780  
Rail (out) L = 8,5m 162-41850  
Rail (in) L = 7,8m 162-43780  
Rail (in) L = 8,5m 162-43850

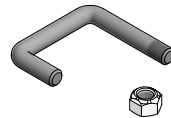
**8 PVC pelmet (black)**



**PART NR.**

L = 9m 242-02109  
L = 14m 242-02114

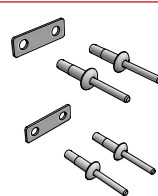
**9 Set door stopper**



**PART NR.**

144-10143

**10 Set fix. curtain**

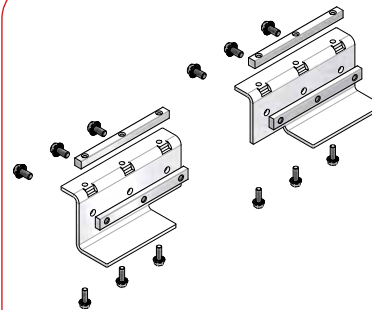


**PART NR.**

Set 144-10144

1 set / 2 Penta City rollers

**11 Set mounting plates**



**PART NR.**

Set 154-03101

\* Only for Al rail Duo Penta

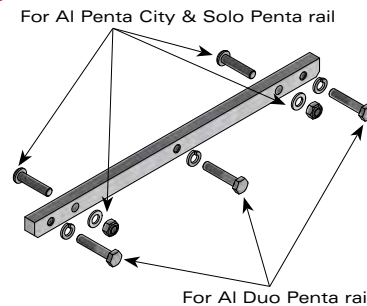
**6a Rail insert Penta City**



**PART NR.**

L = 0,5m 162-29005

**7 Set steel insert**



**PART NR.**

Set 144-10119

**6b Rail insert Solo Penta**



**PART NR.**

L = 0,5m 162-41005

**13 PP Band (red)**



\* The red PP band is mounted on the underside of the curtain.



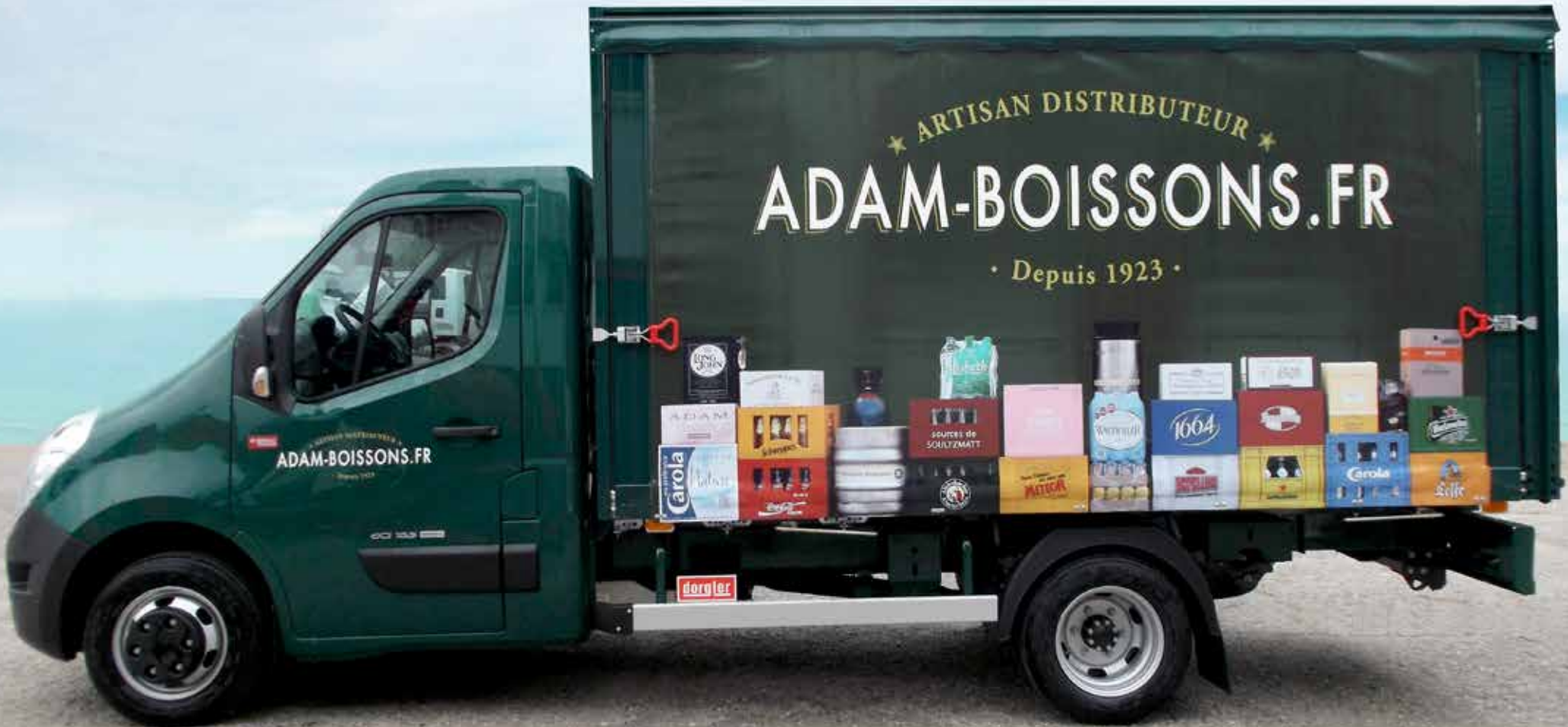
\* The small red PP band is mounted on the top of the curtain.

**PART NR.**

L = 9m 242-06209

L = 14m 242-06214

L = 0,45m 242-06201



★ ARTISAN DISTRIBUTEUR ★

ADAM-BOISSONS.FR

• Depuis 1923 •

ADAM-BOISSONS.FR

dorger







JUS

SODAS

SIROPS

EAUX

BIÈRES

VIN

SPIRITUEUX

**Pro**  
Venez découvrir!  
Tous les produits  
Carola

**Pro**  
Vins & Spiritueux  
De 300 références!

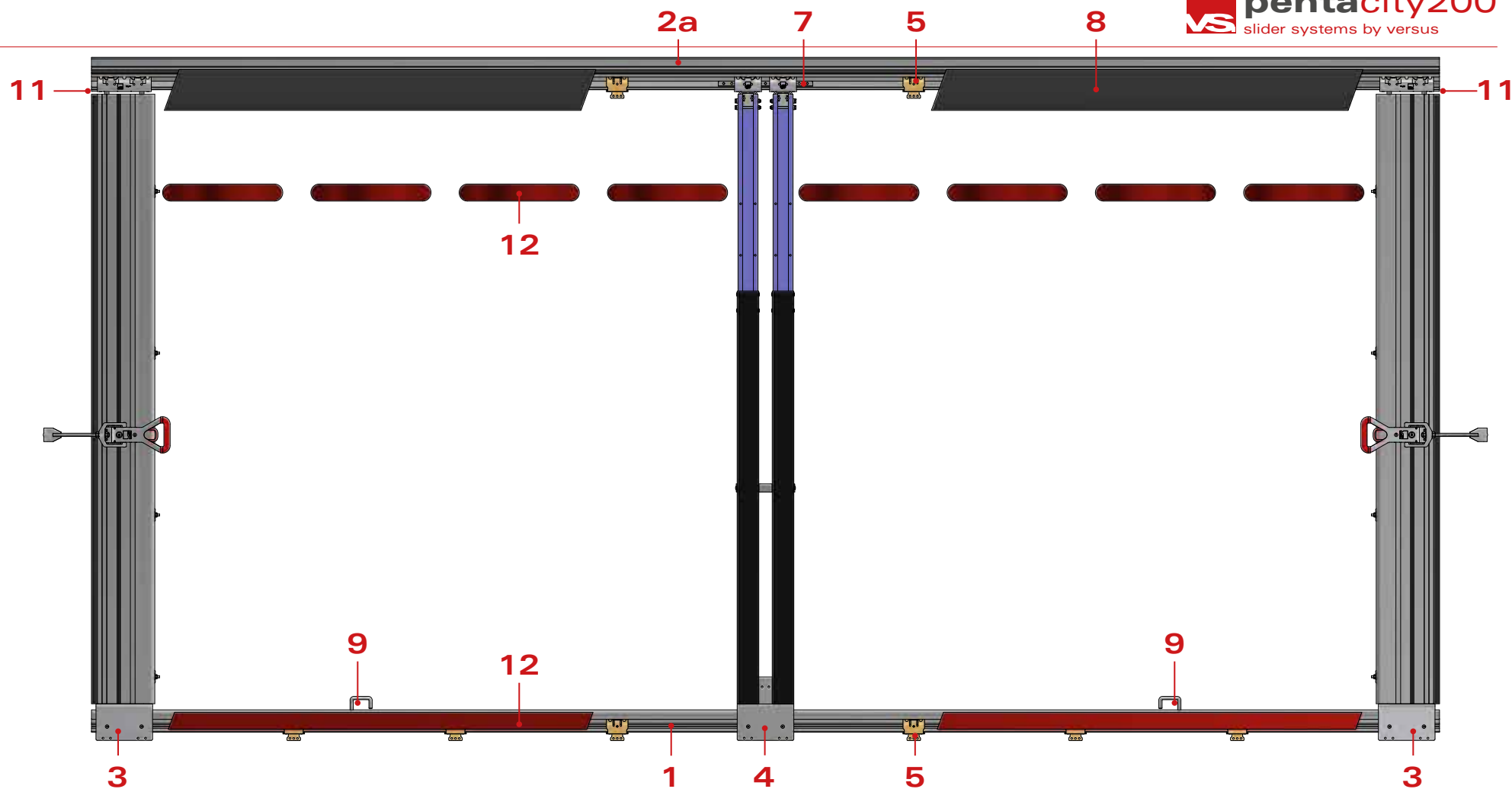
**Pro**  
De 300 références!

03 88 08 88 18  
www.hobiere.com  
67140 BARR



DHOLLANDIA

domler

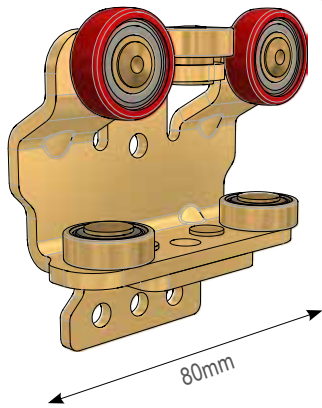


|            |                             |
|------------|-----------------------------|
| <b>1</b>   | Penta City rail type B (Al) |
| <b>2a</b>  | Duo Penta rail (Al)         |
| <b>2b*</b> | Penta City rail (Al)        |
| <b>2c*</b> | Solo Penta rail (Al)        |
| <b>3</b>   | Aluminium door              |
| <b>4</b>   | Pillar                      |
| <b>5</b>   | Penta City roller           |

|            |                        |
|------------|------------------------|
| <b>6a*</b> | Rail insert Penta City |
| <b>6b*</b> | Rail insert Solo Penta |
| <b>7</b>   | Set steel insert       |
| <b>8</b>   | PVC pelmet             |
| <b>9</b>   | Set door stopper       |
| <b>10*</b> | Set fixation curtain   |
| <b>11</b>  | Set mounting plates    |
| <b>12</b>  | PP band                |

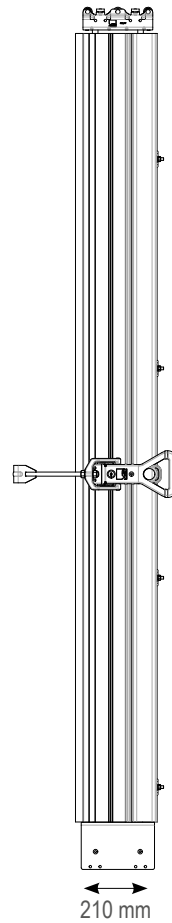
\* Not visible on the composition drawing above

**5 Penta City roller**



**PART NR.**  
**284-50020**

**3 Aluminium door**



**PART NR.**

|       |           |
|-------|-----------|
| Left  | 614-03003 |
| Right | 614-03004 |

**4 Pillar**

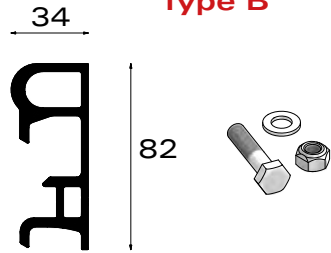


**PART NR.**

|    |           |
|----|-----------|
| XS | 614-02002 |
| S  | 614-02003 |
| M  | 614-02004 |

Extra Small (XS) = aperture height between 1920 and 2170mm  
 Small (S) = aperture height between 2171 and 2420mm  
 Medium (M) = aperture height between 2421 and 2700mm

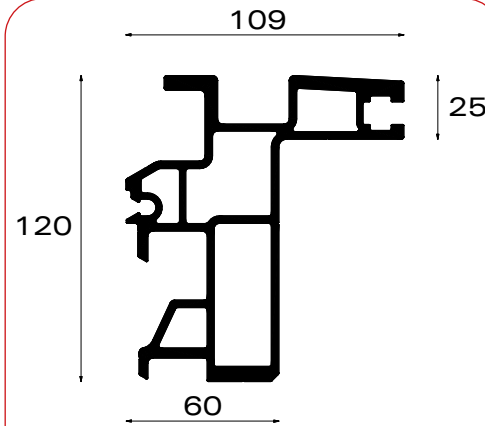
**1 Penta City rail (Al)  
Type B**



**PART NR.**

Rail L = 7m 162-40700  
Set (1set/m) 144-10129

**2a Duo Penta rail (Al)**

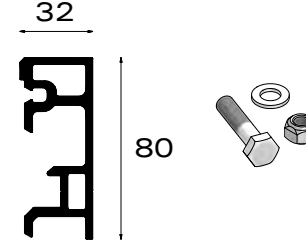


**PART NR.**

L = 5m 162-30500  
L = 7,8m 162-30780  
L = 8,5m 162-30850  
\* L = 10,5m 162-30105  
\* L = 13,6m 162-30136

\*profile with pre-bending & milling

**2b Penta City rail (Al)**

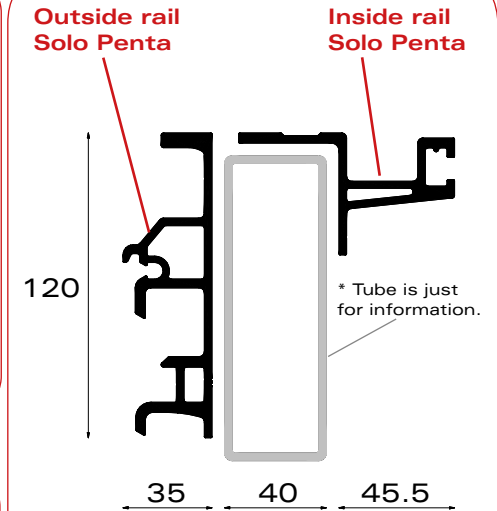


**PART NR.**

Rail L = 7m 162-29700  
Set (1set/m) 144-10129

\* Use this rail with a steel frame

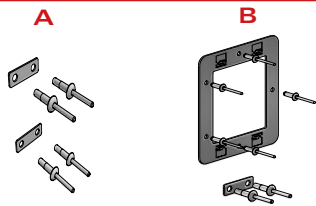
**2c Solo Penta rail (Al)**



**PART NR.**

Rail (out) L = 7,8m 162-41780  
Rail (out) L = 8,5m 162-41850  
Rail (in) L = 7,8m 162-43780  
Rail (in) L = 8,5m 162-43850

**10 Set fix. curtain**

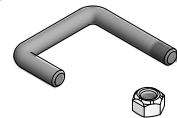


**PART NR.**

Set A 144-10144  
Set B 144-10152

1x Set A / 2 Penta City rollers  
2x Set A / pillar  
1x Set B / Al door

**9 Set door stop-**



**PART NR.**

144-10143

**Velcro strap**



**PART NR.**

L = 300mm 312-08001

**6a Rail insert Penta City**



**PART NR.**

L = 0,5m 162-29005

**6b Rail insert Solo Penta**



**PART NR.**

L = 0,5m 162-41005

**12 PP Band (red)**



\* The red PP band is mounted on the underside of the curtain.



\* The small red PP band is mounted on the top of the curtain.

**PART NR.**

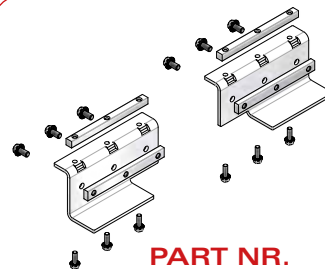
L = 9m 242-06209  
L = 14m 242-06214  
L = 0,45m 242-06201

**8 PVC pelmet (black) 11 Set mounting plates**



**PART NR.**

L = 9m 242-02109  
L = 14m 242-02114



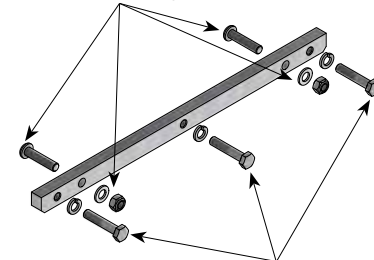
**PART NR.**

Set 154-03101

\* Only for Al Duo Penta rail

**7 Set steel insert**

For Al Penta City & Solo Penta rail



For Al Duo Penta rail

**PART NR.**

Set 144-10119









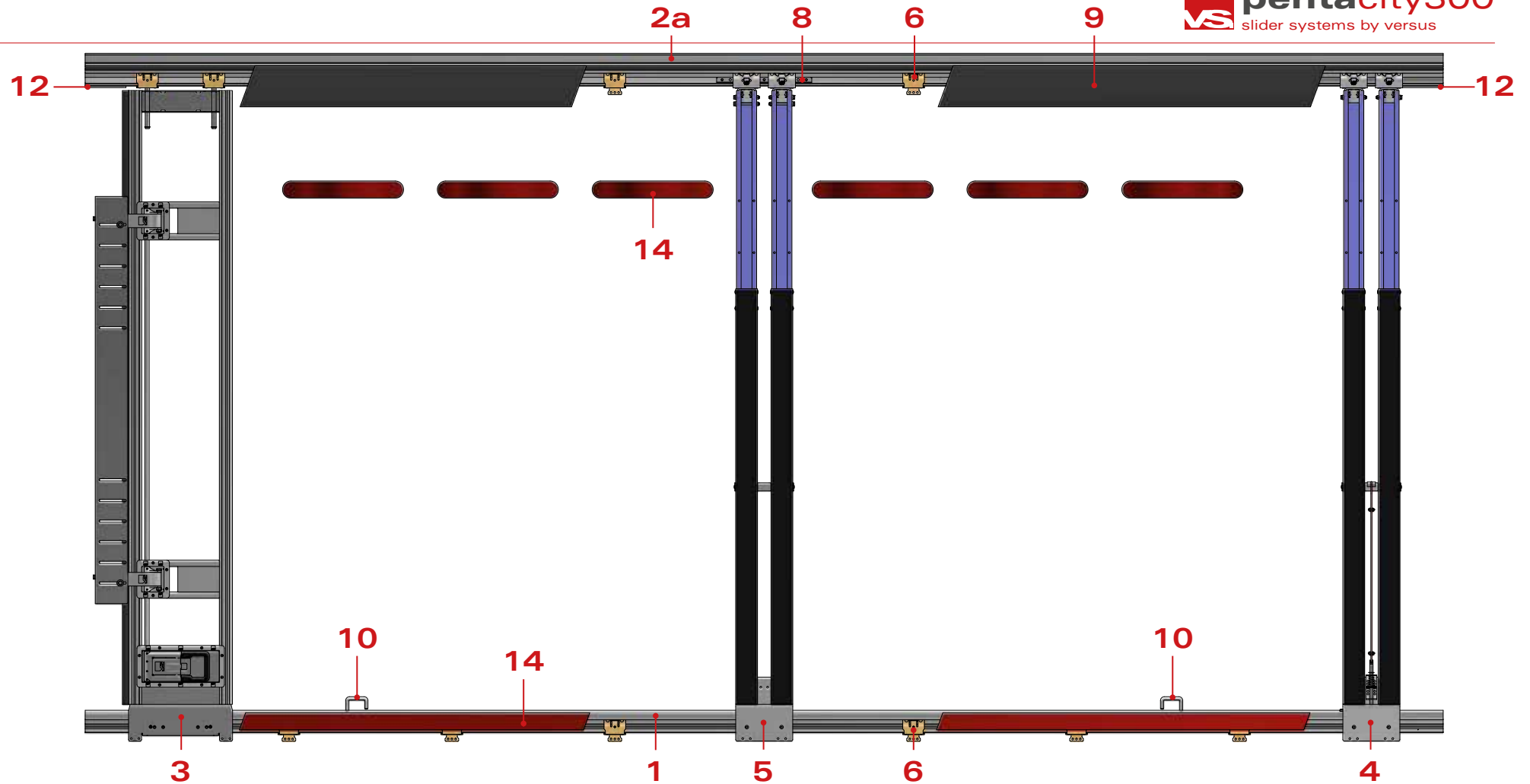
หาดทิพย์

ดื่มด่ำทุกความรู้สึก

FRR  
190

ELITE

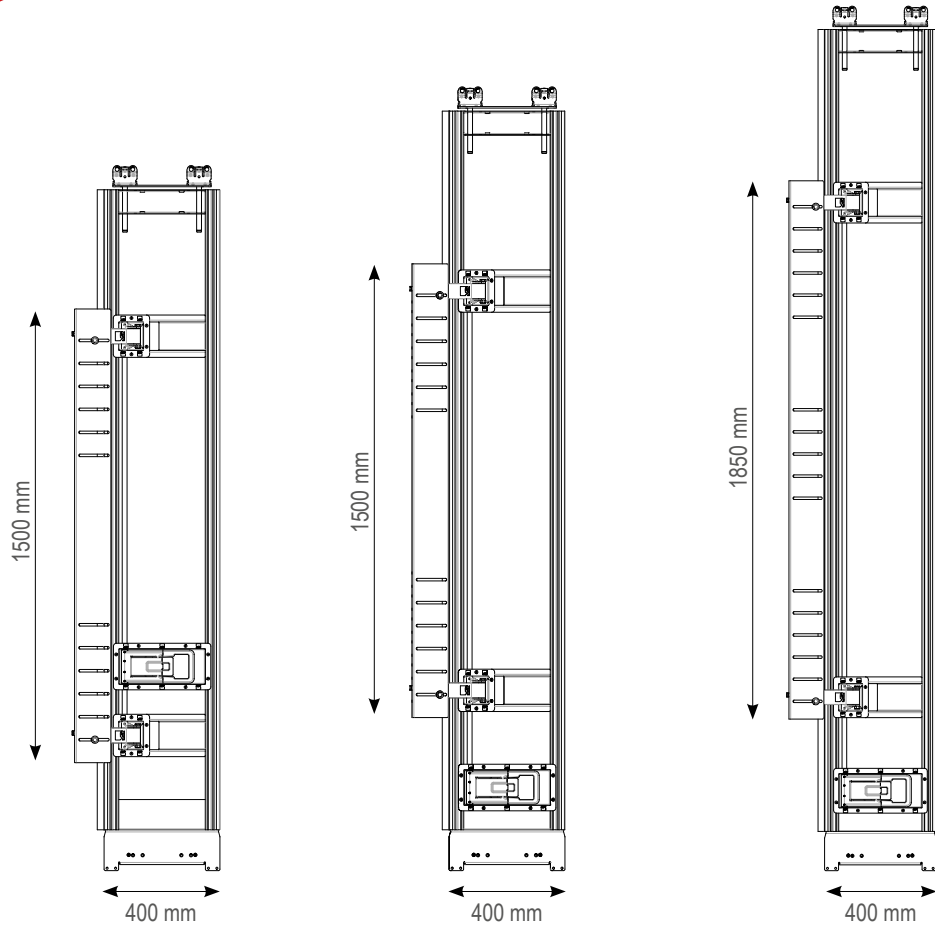




|            |                             |            |                        |
|------------|-----------------------------|------------|------------------------|
| <b>1</b>   | Penta City rail type B (Al) | <b>7a*</b> | Rail insert Penta City |
| <b>2a</b>  | Duo Penta rail (Al)         | <b>7b*</b> | Rail insert Solo Penta |
| <b>2b*</b> | Penta City rail (Al)        | <b>8</b>   | Set steel insert       |
| <b>2c*</b> | Solo Penta rail (Al)        | <b>9</b>   | PVC pelmet             |
| <b>3</b>   | Quick lock door             | <b>10</b>  | Set door stopper       |
| <b>4</b>   | Basic door                  | <b>11*</b> | Set fixation curtain   |
| <b>5</b>   | Pillar                      | <b>12</b>  | Set mounting plates    |
| <b>6</b>   | Penta City roller           | <b>13*</b> | Locking nose           |
|            |                             | <b>14</b>  | PP band                |

\* Not visible on the composition drawing above

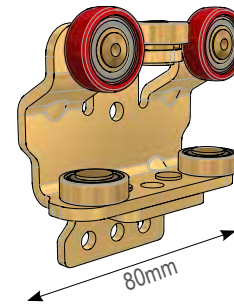
**3 Quick lock door**



|          | <b>PART NR.</b>            | <b>PART NR.</b>      | <b>PART NR.</b>       |
|----------|----------------------------|----------------------|-----------------------|
| Left SA  | 614-01112                  | 614-01100            | 614-01101             |
| Right SA | 614-01113                  | 614-01103            | 614-01104             |
| Left LA  | 614-01114                  | 614-01106            | 614-01107             |
| Right LA | 614-01115                  | 614-01109            | 614-01110             |
|          | Extra Small<br>1920-2170mm | Small<br>2171-2420mm | Medium<br>2421-2800mm |

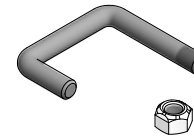
Small arm (SA) = short hinge arm covering distance of 40 to 103mm  
Large arm (LA) = long hinge arm covering distance of 103 to 190mm

**6 Penta City roller**



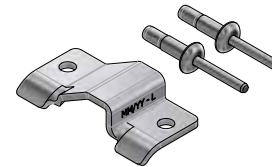
**PART NR.**  
**284-50020**

**10 Set door stopper**



**PART NR.**  
**144-10143**

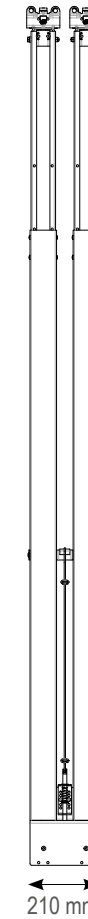
**13 Locking nose**



\* The figure is left rear  
in driving direction.

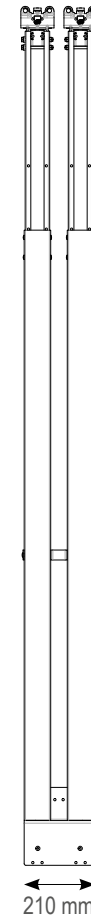
**PART NR.**  
Left 144-10161  
Right 144-10162

**4 Basic door**



**PART NR.**  
XS 614-03005  
S 614-03006  
M 614-03007

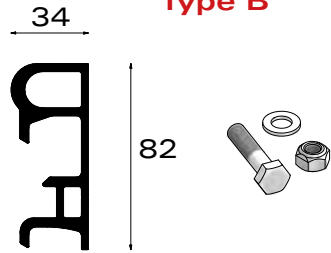
**5 Pillar**



**PART NR.**  
XS 614-02002  
S 614-02003  
M 614-02004

Extra Small (XS) = aperture height between 1920 and 2170mm  
Small (S) = aperture height between 2171 and 2420mm  
Medium (M) = aperture height between 2421 and 2700mm

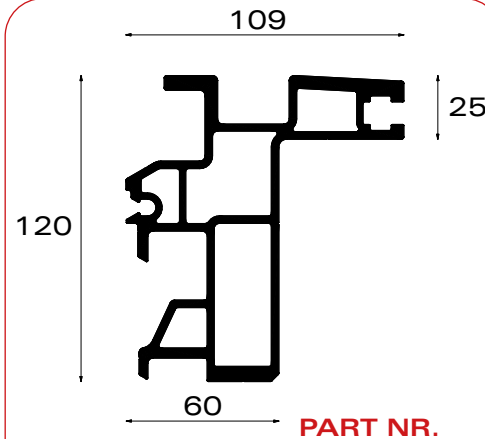
**1 Penta City rail (Al)  
Type B**



**PART NR.**

Rail L = 7m 162-40700  
Set (1set/m) 144-10129

**2a Duo Penta rail (Al)**

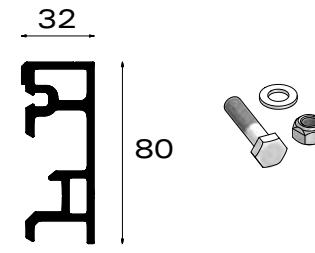


**PART NR.**

L = 5m 162-30500  
L = 7,8m 162-30780  
L = 8,5m 162-30850  
\* L = 10,5m 162-30105  
\* L = 13,6m 162-30136

\*profile with pre-bending & milling

**2b Penta City rail (Al)**

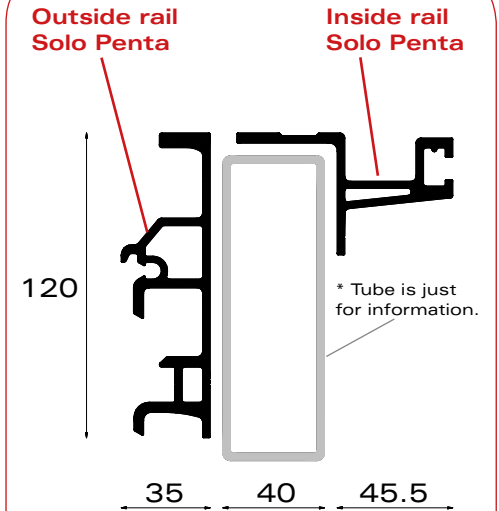


**PART NR.**

Rail L = 7m 162-29700  
Set (1set/m) 144-10129

\*Use this rail with a steel frame

**2c Solo Penta rail (Al)**



**PART NR.**

Rail (out) L = 7,8m 162-41780  
Rail (out) L = 8,5m 162-41850  
Rail (in) L = 7,8m 162-43780  
Rail (in) L = 8,5m 162-43850

**9 PVC pelmet (black)**



**PART NR.**

L = 9m 242-02109  
L = 14m 242-02114

**14 PP Band (red)**



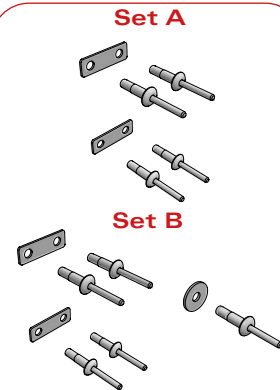
\* The red PP band is mounted on the underside of the curtain.

\* The small red PP band is mounted on the top of the curtain.

**PART NR.**

L = 9m 242-06209  
L = 14m 242-06214  
L = 0,45m 242-06201

**11 Set fix. curtain**



**PART NR.**

Set A 144-10144

Set B 144-10140

1x Set A / Al door  
1x Set A / 2 penta city rollers  
1x Set A / basic door  
2x Set A / pillar  
1x Set B / QL-door

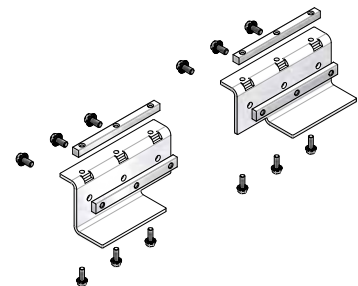
**Velcro strap**



**PART NR.**

L = 300mm 312-08001

**12 Set mounting plates**



**PART NR.**

Set 154-03101

\*Only for Al Duo Penta rail

**7a Rail insert penta city**

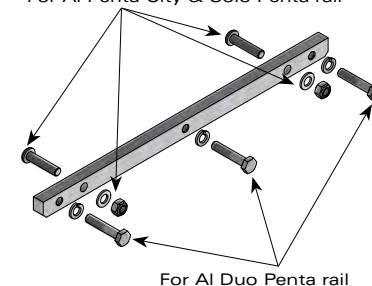


**PART NR.**

L = 0,5m 162-29005

**8 Set steel insert**

For Al Penta City & Solo Penta rail



For Al Duo Penta rail

**PART NR.**

Set 144-10119

**7b Rail insert Solo Penta**



**PART NR.**

L = 0,5m 162-41005









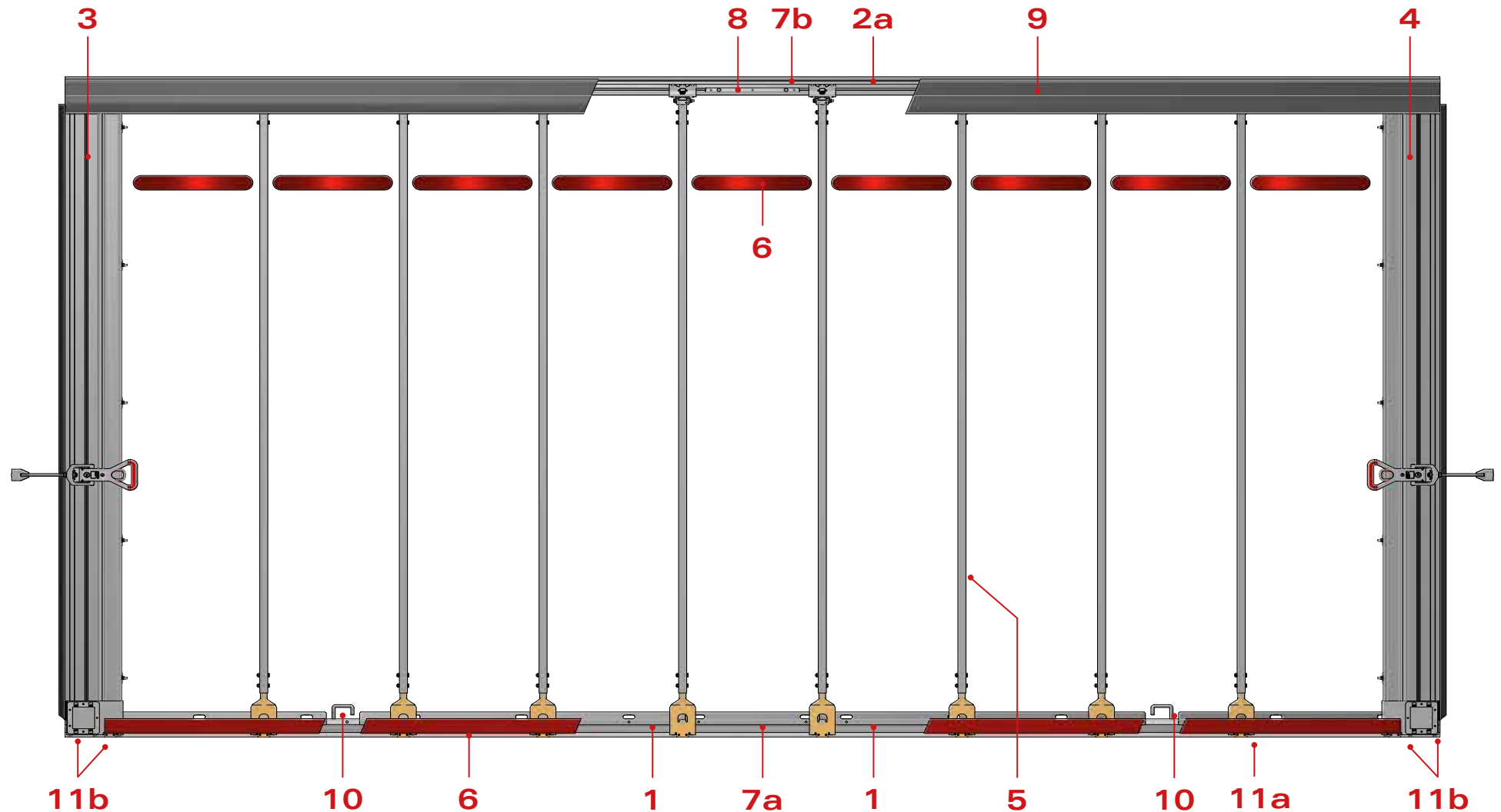
FOX  
PARTS  
SERVICE

**MS** **penta flex**  
— slider systems by verus

quick and safe through town

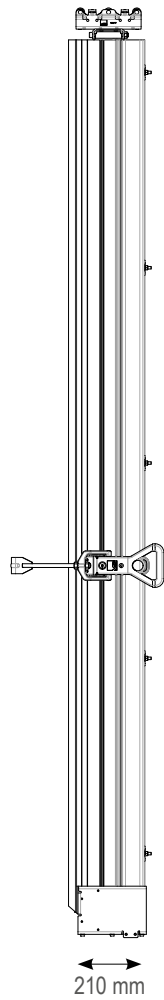
CAR

ISUZU



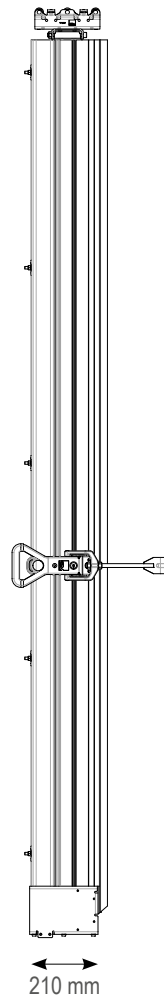
|            |                         |            |                        |
|------------|-------------------------|------------|------------------------|
| <b>1</b>   | Penta Flex rail (steel) | <b>7a</b>  | Rail insert Penta Flex |
| <b>2a</b>  | Penta City rail (Al)    | <b>7b</b>  | Rail insert Penta City |
| <b>2b*</b> | Solo Penta rail (Al)    | <b>7c*</b> | Rail insert Solo Penta |
| <b>3</b>   | Aluminium door (left)   | <b>8</b>   | Set steel insert       |
| <b>4</b>   | Aluminium door (right)  | <b>9</b>   | PVC Pelmet             |
| <b>5</b>   | Mini pillar             | <b>10</b>  | Set door stopper       |
| <b>6</b>   | PP band (red)           | <b>11</b>  | Set fixation curtain   |

**3 Aluminium door left**



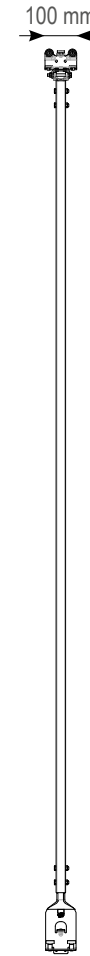
**PART NR.**  
Left Al 644-01001

**4 Aluminium door right**



**PART NR.**  
Right Al 644-01002

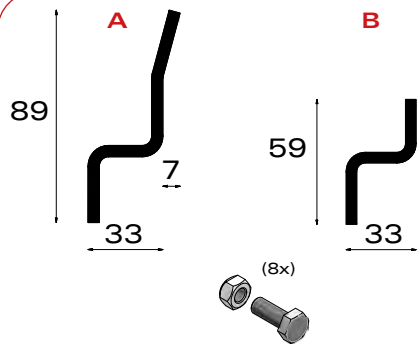
**5 Mini pillar**



**PART NR.**  
Small 644-04001  
Medium 644-04002  
Large 644-04003

Small (S) = aperture height between 0 and 2330mm  
Medium (M) = aperture height between 2331 and 2470mm  
Large (L) = aperture height between 2471 and 2740mm

### 1 Penta Flex rail (steel)



**PART NR.**

|                 |           |
|-----------------|-----------|
| Rail (A) L = 3m | 162-39300 |
| Rail (B) L = 3m | 162-39301 |
| Set (1set/rail) | 144-10151 |

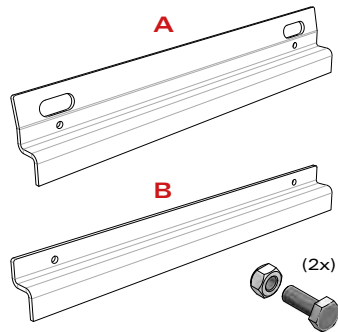
### Velcro strap



**PART NR.**

|           |           |
|-----------|-----------|
| L = 150mm | 312-08002 |
|-----------|-----------|

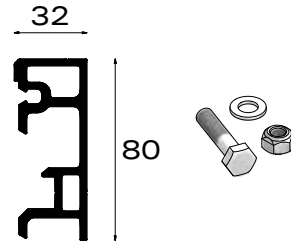
### 7a Rail insert Penta Flex



**PART NR.**

|                   |           |
|-------------------|-----------|
| Rail (A) L = 0,5m | 144-10153 |
| Rail (B) L = 0,5m | 144-10154 |

### 2a Penta City rail (Al)



**PART NR.**

|              |           |
|--------------|-----------|
| Rail L = 7m  | 162-29700 |
| Set (1set/m) | 144-10129 |

\* Use this rail with a steel frame

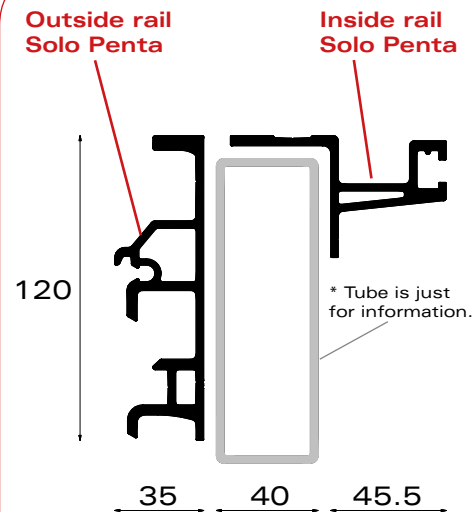
### 7b Rail insert Penta City



**PART NR.**

|          |           |
|----------|-----------|
| L = 0,5m | 162-29005 |
|----------|-----------|

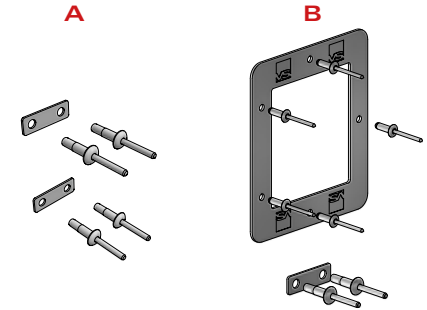
### 2b Solo Penta rail (Al)



**PART NR.**

|                     |           |
|---------------------|-----------|
| Rail (out) L = 7,8m | 162-41780 |
| Rail (out) L = 8,5m | 162-41850 |
| Rail (in) L = 7,8m  | 162-43780 |
| Rail (in) L = 8,5m  | 162-43850 |

### 11 Set fixation curtain



**PART NR.**

|                     |           |
|---------------------|-----------|
| Set mini pillar (A) | 144-10144 |
| Set Al door (B)     | 144-10152 |

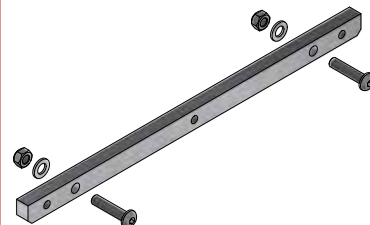
### 9 PVC pelmet (black)



**PART NR.**

|         |           |
|---------|-----------|
| L = 9m  | 242-02109 |
| L = 14m | 242-02114 |

### 8 Set steel insert



**PART NR.**

|     |           |
|-----|-----------|
| Set | 144-10119 |
|-----|-----------|

\* For Al Penta City & Solo Penta rails

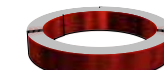
### 7c Rail insert solo penta



**PART NR.**

|          |           |
|----------|-----------|
| L = 0,5m | 162-41005 |
|----------|-----------|

### 6 PP Band (red)



\* The red PP band is mounted on the underside of the curtain.

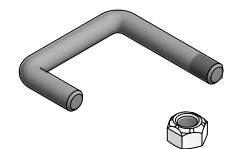


\* The small red PP band is mounted on the top of the curtain.

**PART NR.**

|           |           |
|-----------|-----------|
| L = 9m    | 242-06209 |
| L = 14m   | 242-06214 |
| L = 0,45m | 242-06201 |

### 10 Set door stopper



**PART NR.**

|           |
|-----------|
| 144-10143 |
|-----------|





# kits

in box systems

---

| Type of kit | Page |
|-------------|------|
|-------------|------|

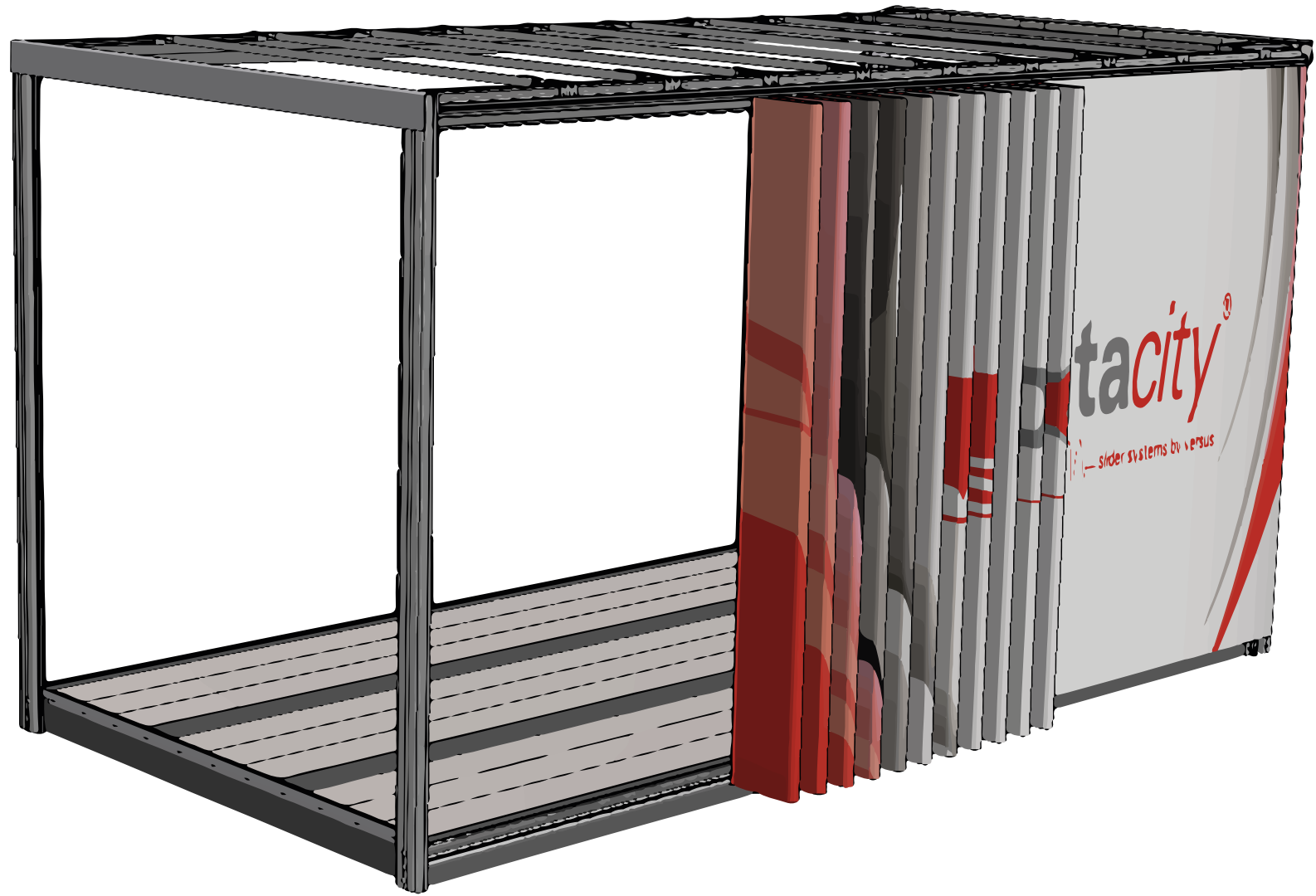
|          |     |
|----------|-----|
| Kit 5000 | 229 |
|----------|-----|

|          |     |
|----------|-----|
| Kit 7500 | 235 |
|----------|-----|

|           |     |
|-----------|-----|
| Kit 7500+ | 241 |
|-----------|-----|

|           |     |
|-----------|-----|
| Kit Axces | 247 |
|-----------|-----|



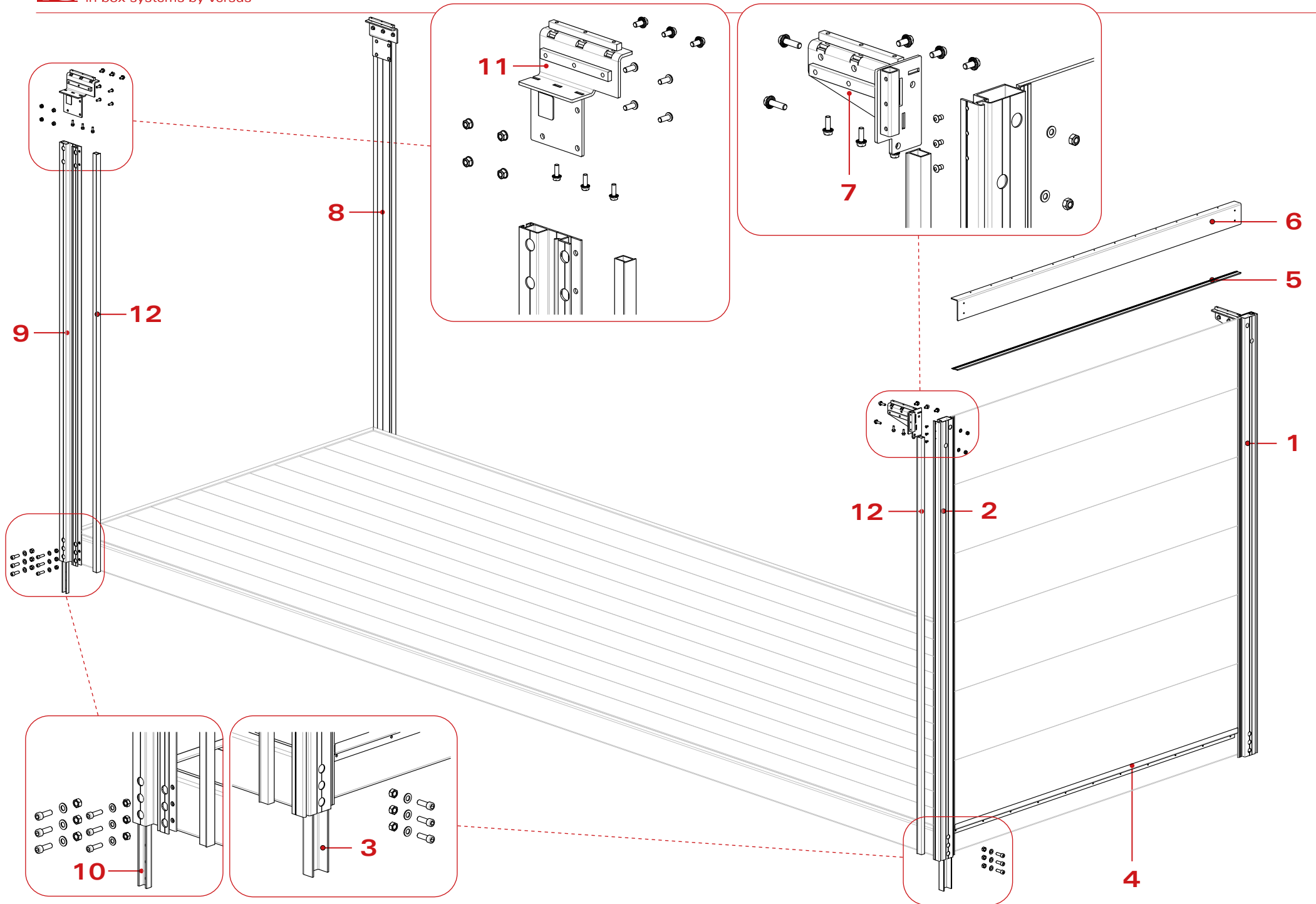


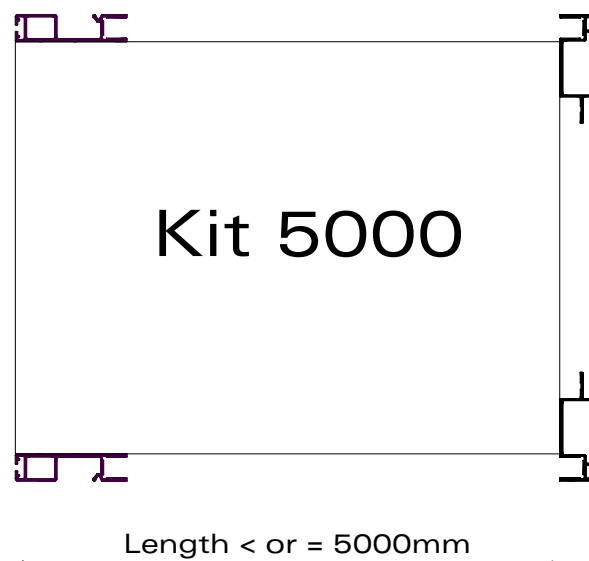


**kit5000**

in box systems by versus

---

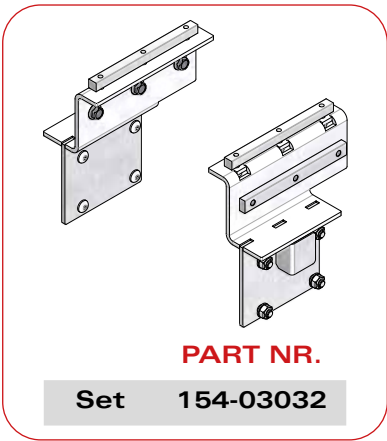




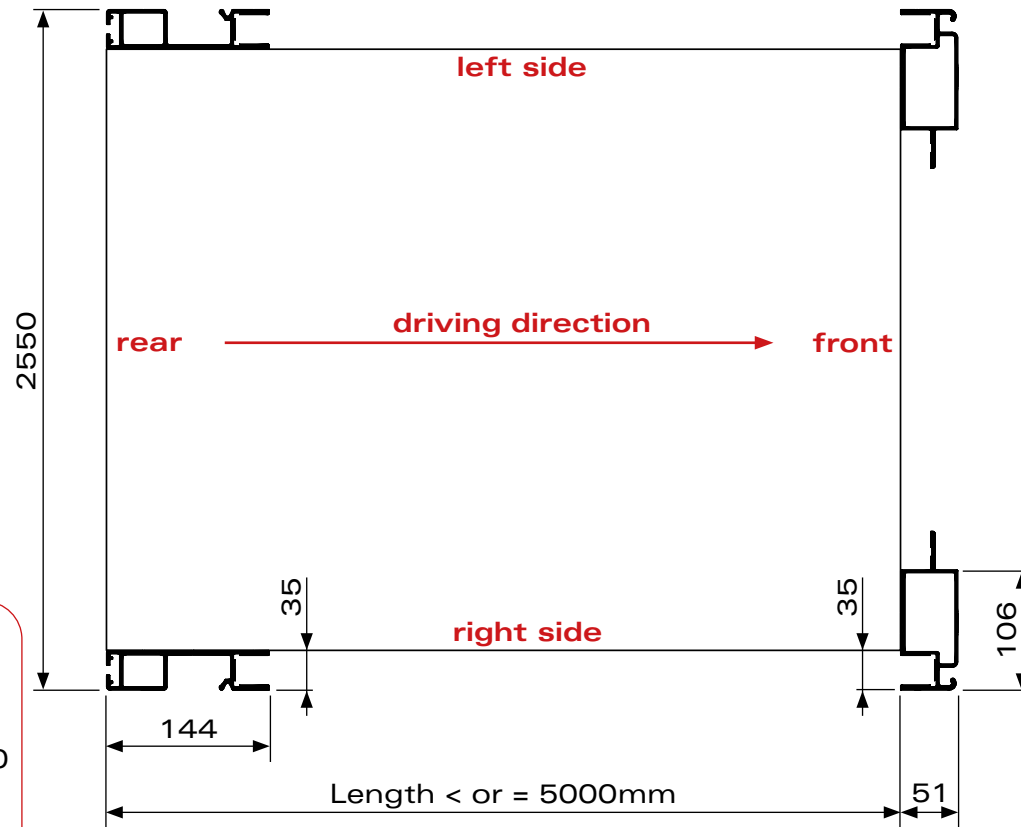
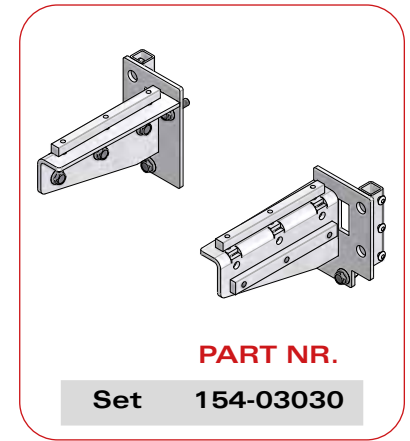
| Nr. | Part Nr.  | Qty | Description                                 |
|-----|-----------|-----|---|
| 1   | 452-01110 | 1   | Front corner left / Al / L = 3000mm         |
| 2   | 452-01111 | 1   | Front corner right / Al / L = 3000mm        |
| 3   | 154-03037 | 1   | Set reinforcements front corners with bolts |
| 4   | 452-04002 | 1   | Bottom profile for wall mounting            |
| 5   | 451-04001 | 1   | Sealing profile bulkhead                    |
| 6   | 452-30260 | 1   | Connecting profile bulkhead                 |
| 7a  | 154-03030 | 1   | Mounting set front Duo rail                 |
| 7b  | 154-03031 | 1   | Mounting set front Micro rail               |
| 8   | 402-02105 | 1   | Rear corner left / Al / L = 3000mm          |
| 9   | 402-02106 | 1   | Rear corner right / Al / L = 3000mm         |
| 10  | 154-03038 | 1   | Set reinforcements rear corners with bolts  |
| 11a | 154-03032 | 1   | Mounting set rear Duo rail                  |
| 11b | 154-03033 | 1   | Mounting set rear Micro rail                |
| *12 | 452-01124 | 4   | Aluminium insert for corner profiles        |

\* Only needed with Penta sliders!

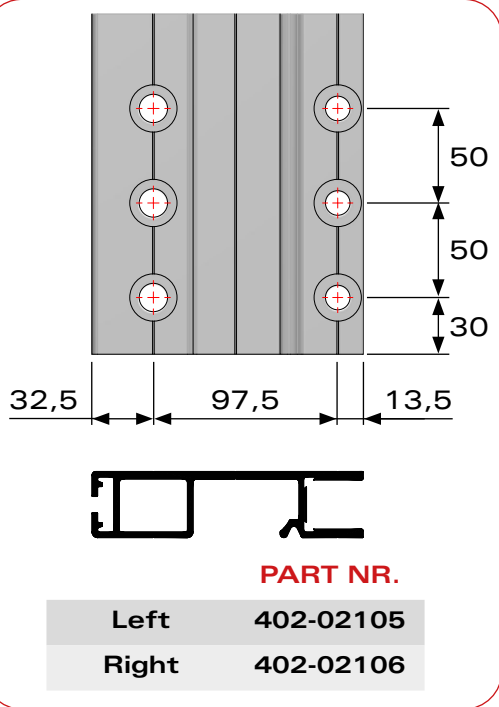
**Mounting set rear  
Duo rail**



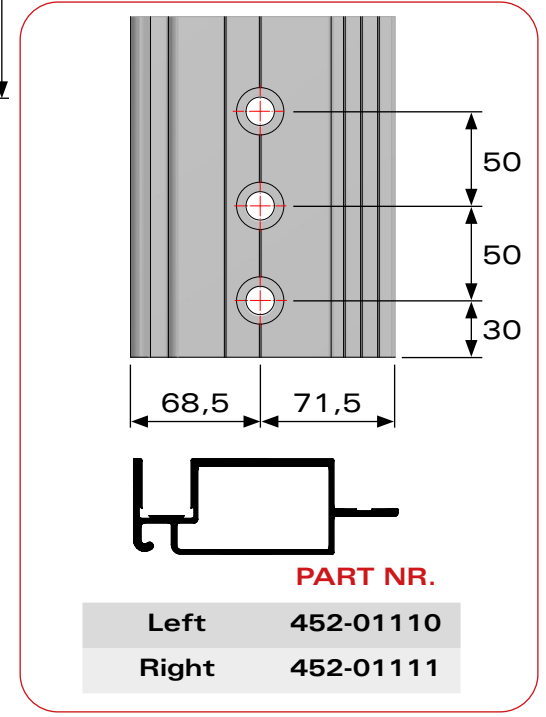
**Mounting set front  
Duo rail**



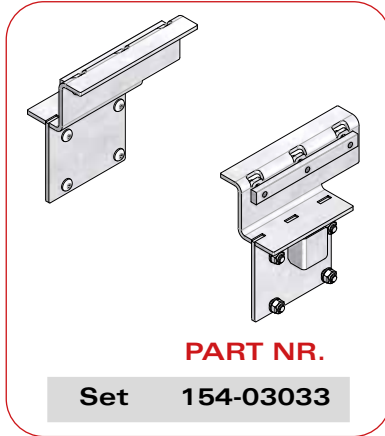
**Rear corners L = 3m**



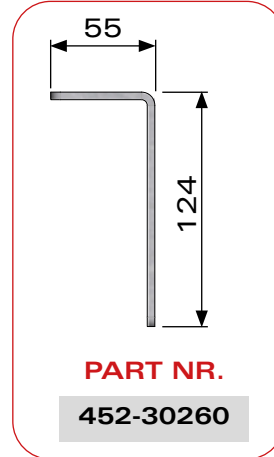
**Front corners L = 3m**



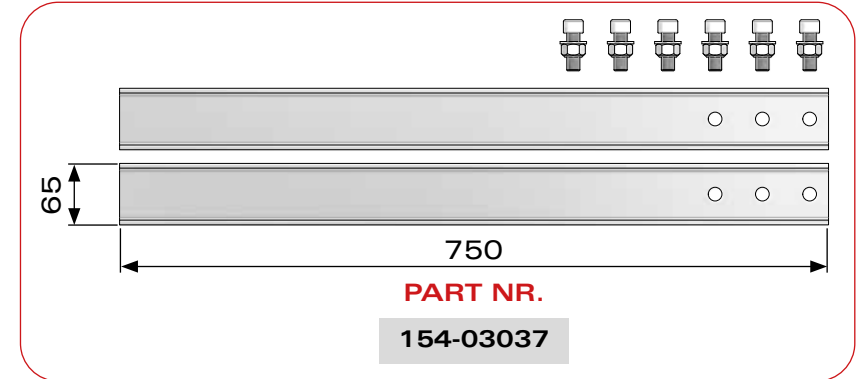
**Mounting set rear  
Micro rail**



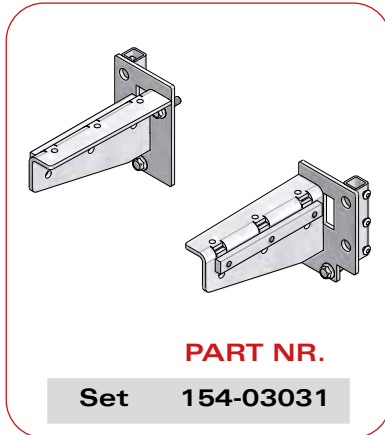
**Connecting profile  
bulkhead**



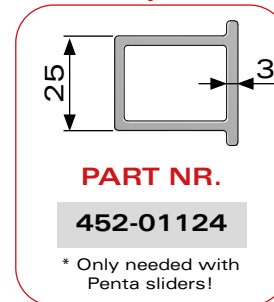
**Set reinforcements front corners**



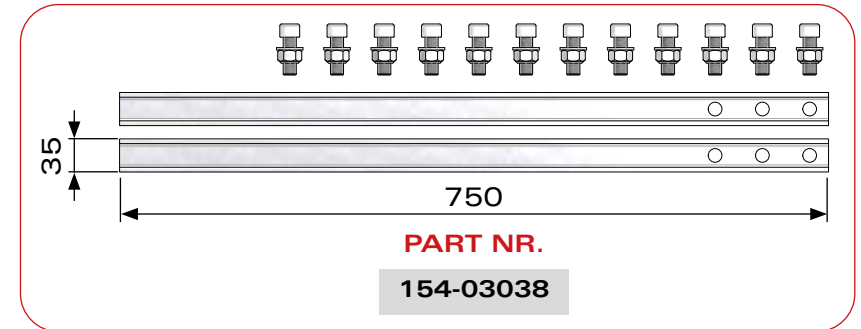
**Mounting set front  
Micro rail**



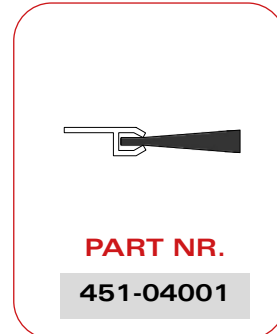
**AI insert for  
corner profiles**



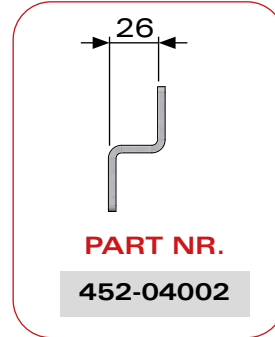
**Set reinforcements rear corners**

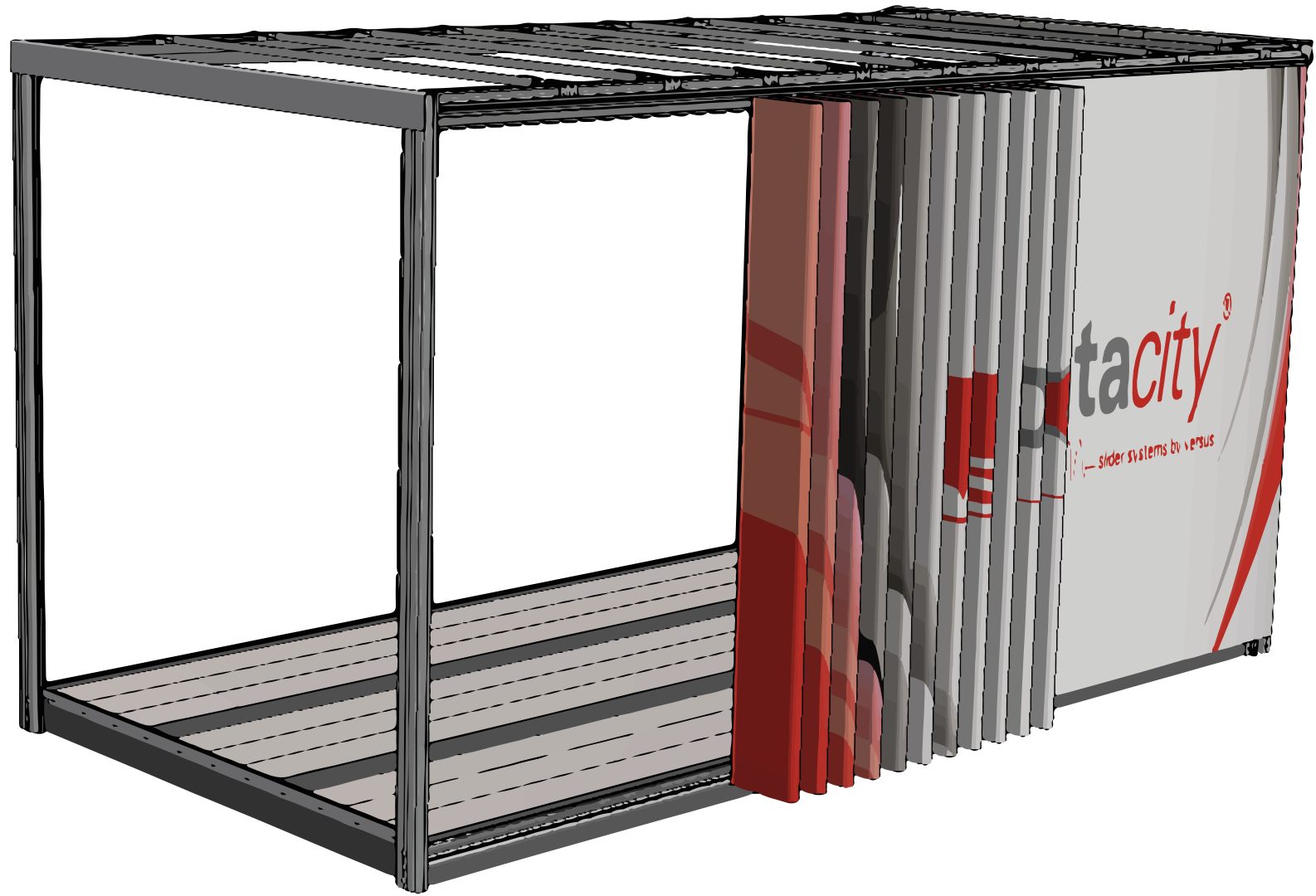


**Sealing profile  
bulkhead**



**Bottom profile**





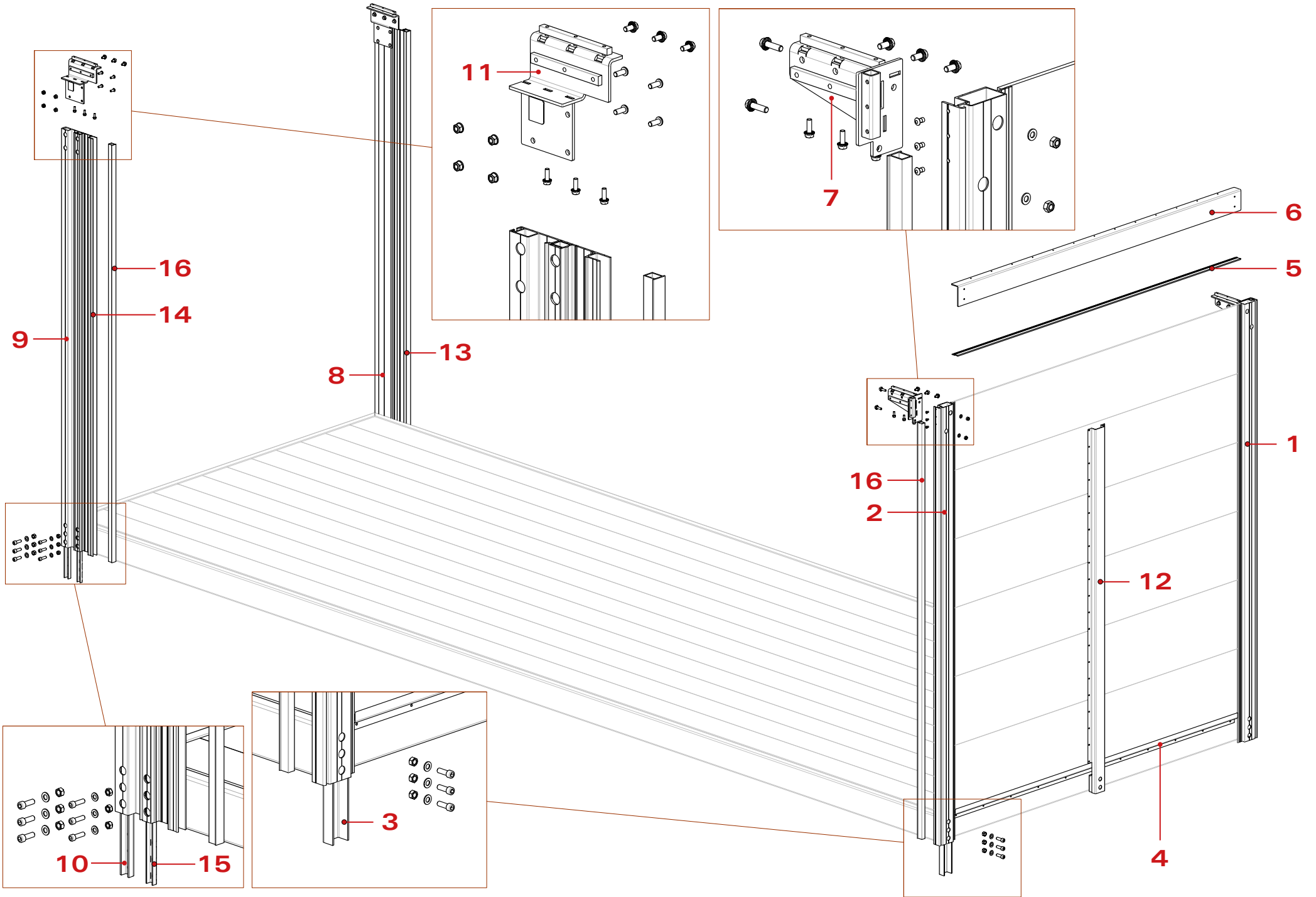


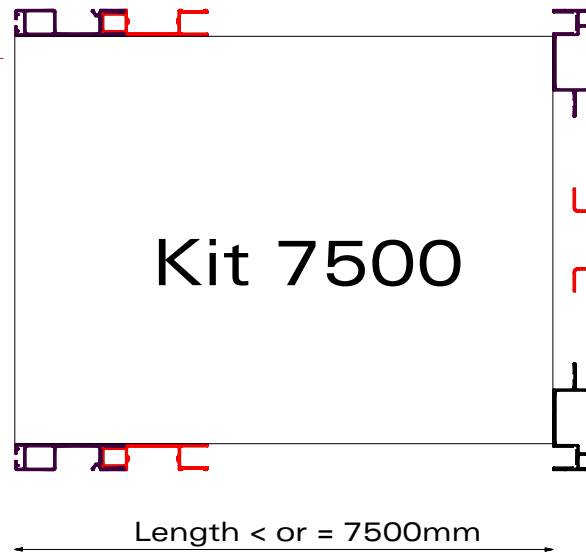


# kit7500

in box systems by versus

---

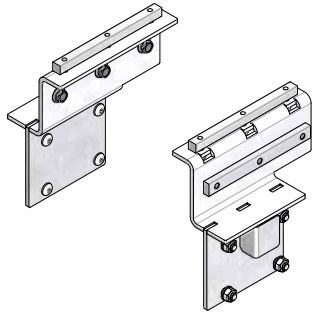




| Nr. | Part Nr.  | Qty | Description                                 |
|-----|-----------|-----|---|
| 1   | 452-01110 | 1   | Front corner left / Al / L = 3000mm         |
| 2   | 452-01111 | 1   | Front corner right / Al / L = 3000mm        |
| 3   | 154-03037 | 1   | Set reinforcements front corners with bolts |
| 4   | 452-04002 | 1   | Bottom profile for wall mounting            |
| 5   | 451-04001 | 1   | Sealing profile bulkhead                    |
| 6   | 452-30260 | 1   | Connecting profile bulkhead                 |
| 7a  | 154-03030 | 1   | Mounting set front Duo rail                 |
| 7b  | 154-03031 | 1   | Mounting set front Micro rail               |
| 8   | 402-02105 | 1   | Rear corner left / Al / L = 3000mm          |
| 9   | 402-02106 | 1   | Rear corner right / Al / L = 3000mm         |
| 10  | 154-03038 | 1   | Set reinforcements rear corners with bolts  |
| 11a | 154-03032 | 1   | Mounting set rear Duo rail                  |
| 11b | 154-03033 | 1   | Mounting set rear Micro rail                |
| 12  | 154-03036 | 1   | Bulkhead support with bolts                 |
| 13  | 452-01114 | 1   | Side profile rear corner left               |
| 14  | 452-01115 | 1   | Side profile rear corner right              |
| 15  | 152-02021 | 2   | Reinforcement side profile                  |
| *16 | 452-01124 | 4   | Aluminium insert for corner profiles        |

\* Only needed with Penta sliders!

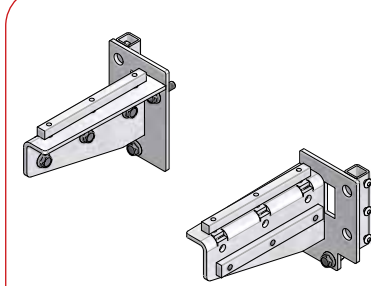
**Mounting set rear Duo rail**



**PART NR.**

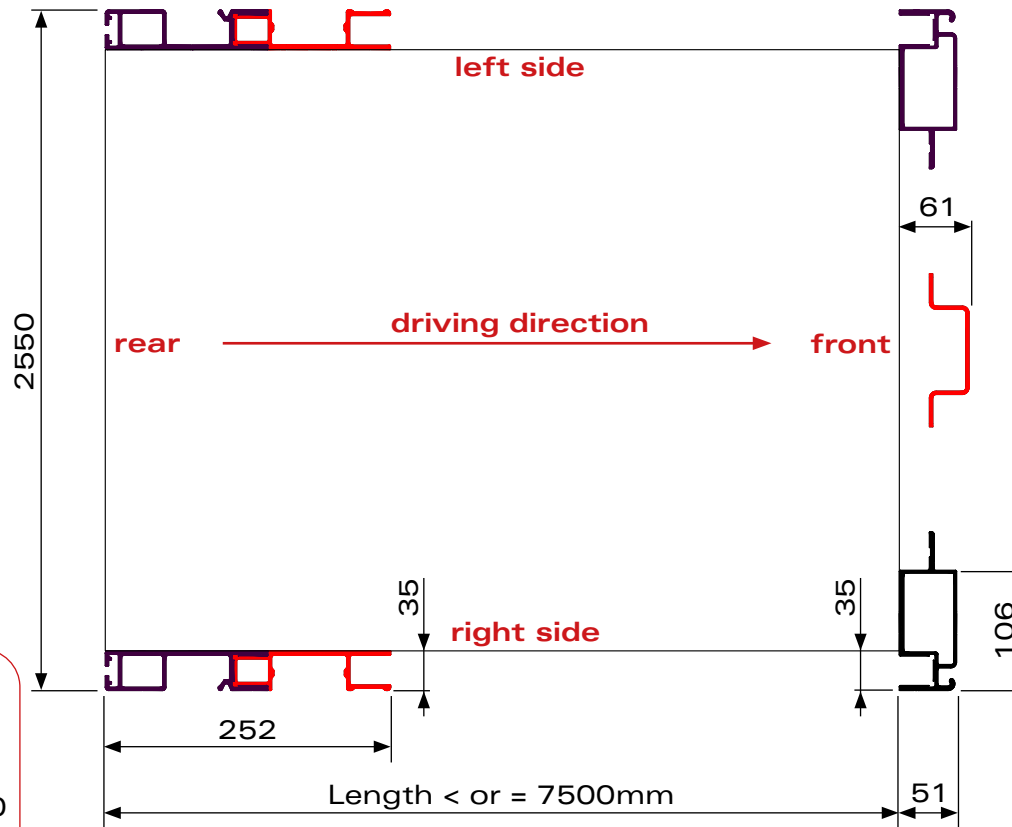
Set 154-03032

**Mounting set front Duo rail**

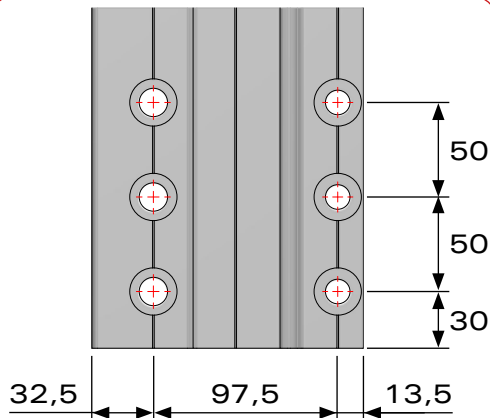


**PART NR.**

Set 154-03030



**Rear corners L = 3m**

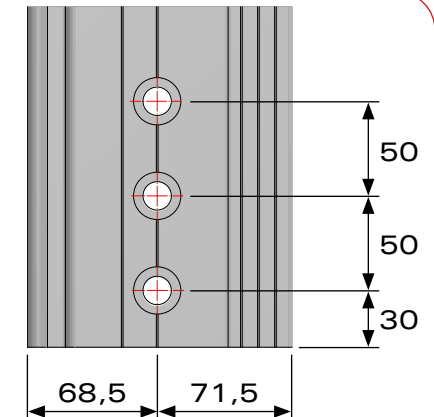


**PART NR.**

Left 402-02105

Right 402-02106

**Front corners L = 3m**

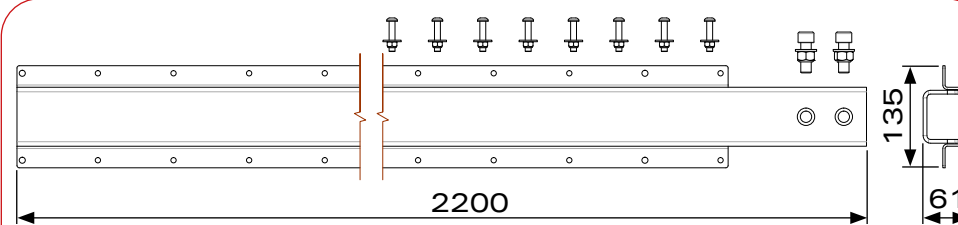


**PART NR.**

Left 452-01110

Right 452-01111

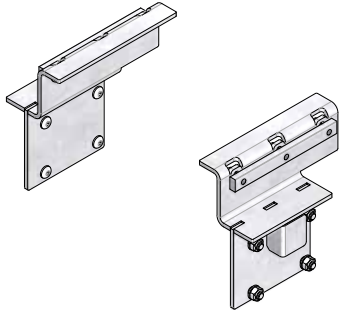
**Set bulkhead support**



**PART NR.**

154-03036

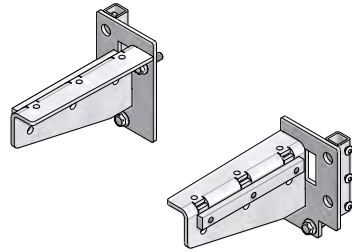
**Mounting set rear  
Micro rail**



**PART NR.**

Set 154-03033

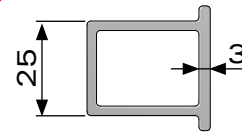
**Mounting set front  
Micro rail**



**PART NR.**

Set 154-03031

**Al insert for  
corner profiles**

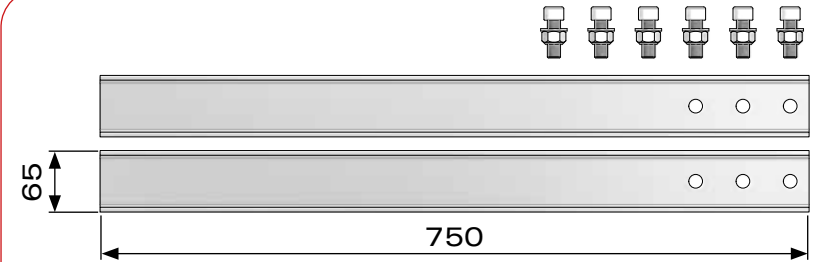


**PART NR.**

452-01124

\* Only needed by  
Penta sliders!

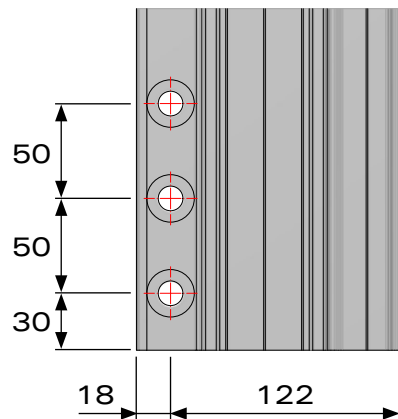
**Set reinforcements front corners**



**PART NR.**

154-03037

**Side profile L = 3m**

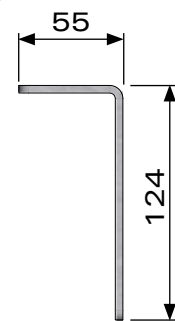


**PART NR.**

Left 452-01114

Right 452-01115

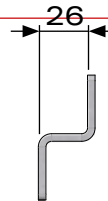
**Connecting profile  
bulkhead**



**PART NR.**

452-30260

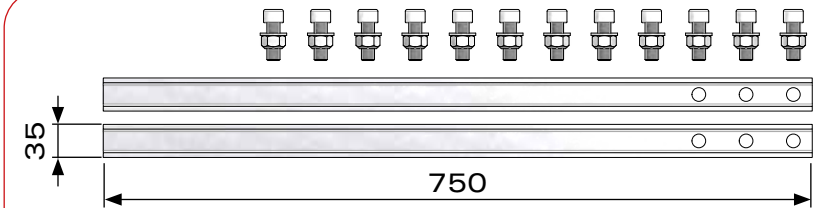
**Bottom profile**



**PART NR.**

452-04002

**Set reinforcements rear corners**



**PART NR.**

154-03038

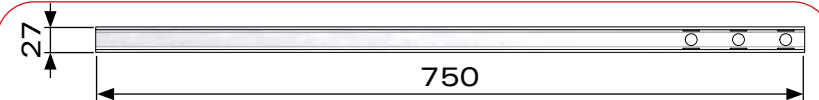
**Sealing profile  
bulkhead**



**PART NR.**

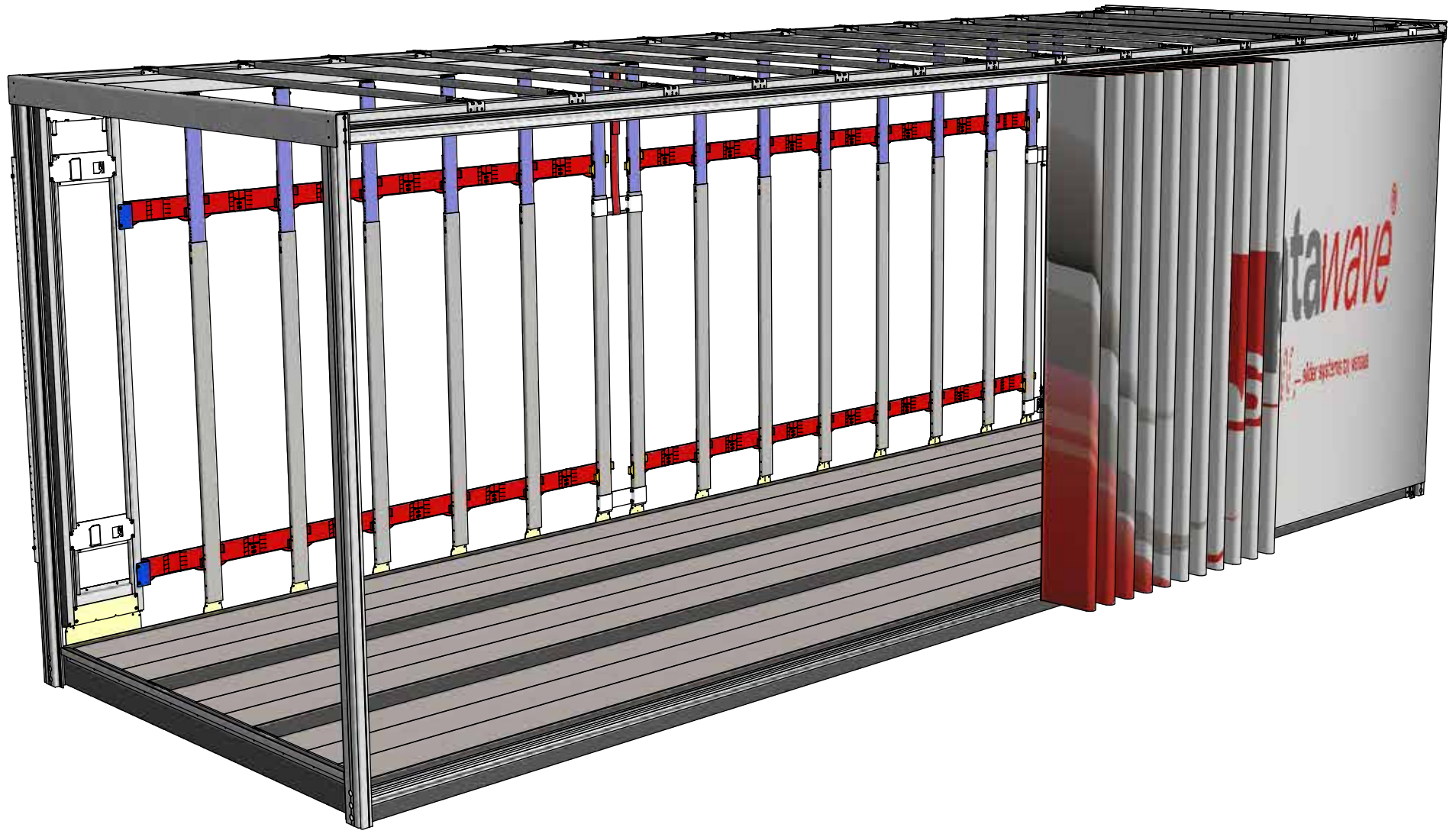
451-04001

**Set reinforcements side profile**



**PART NR.**

152-02021



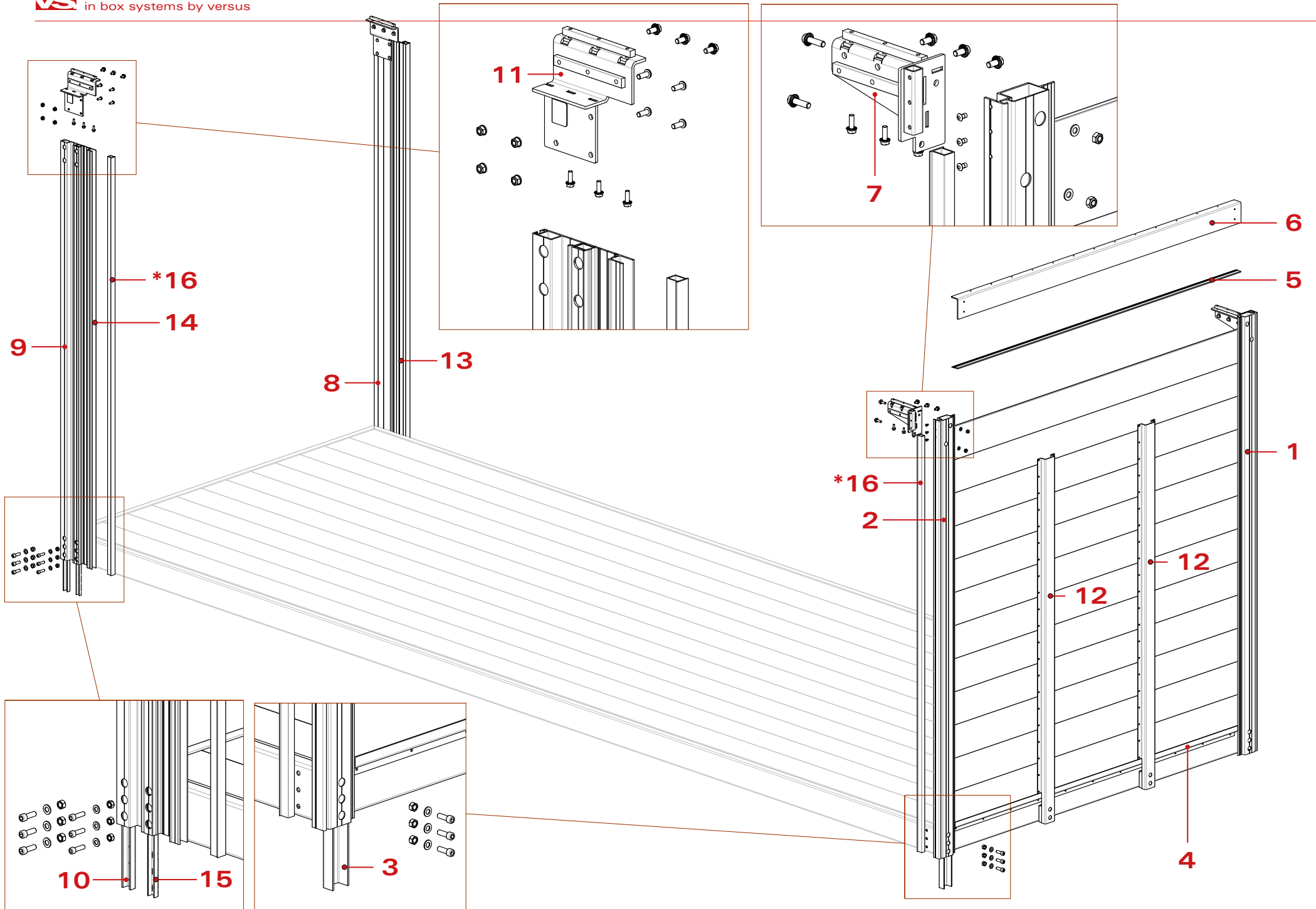


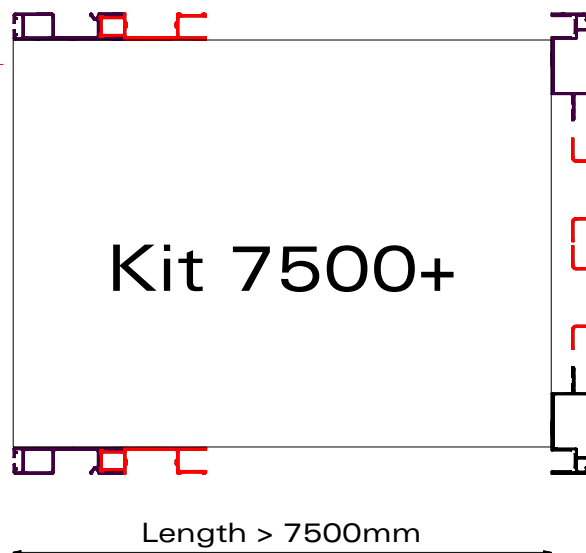
**kit7500+**

in box systems by versus

---



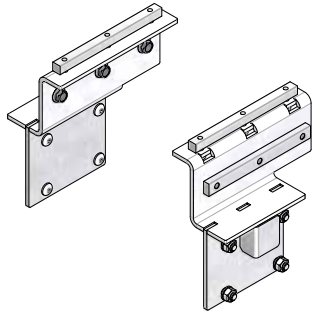




| Nr. | Part Nr.  | Qty | Description                                 |
|-----|-----------|-----|---|
| 1   | 452-01110 | 1   | Front corner left / Al / L = 3000mm         |
| 2   | 452-01111 | 1   | Front corner right / Al / L = 3000mm        |
| 3   | 154-03037 | 1   | Set reinforcements front corners with bolts |
| 4   | 452-04002 | 1   | Bottom profile for wall mounting            |
| 5   | 451-04001 | 1   | Sealing profile bulkhead                    |
| 6   | 452-30260 | 1   | Connecting profile bulkhead                 |
| 7a  | 154-03030 | 1   | Mounting set front Duo rail                 |
| 7b  | 154-03031 | 1   | Mounting set front Micro rail               |
| 8   | 402-02105 | 1   | Rear corner left / Al / L = 3000mm          |
| 9   | 402-02106 | 1   | Rear corner right / Al / L = 3000mm         |
| 10  | 154-03038 | 1   | Set reinforcements rear corners with bolts  |
| 11a | 154-03032 | 1   | Mounting set rear Duo rail                  |
| 11b | 154-03033 | 1   | Mounting set rear Micro rail                |
| 12  | 154-03036 | 2   | Bulkhead support with bolts                 |
| 13  | 452-01114 | 1   | Side profile rear corner left               |
| 14  | 452-01115 | 1   | Side profile rear corner right              |
| 15  | 152-02021 | 2   | Reinforcement side profile                  |
| *16 | 452-01124 | 4   | Aluminium insert for corner profiles        |

\* Only needed with Penta sliders!

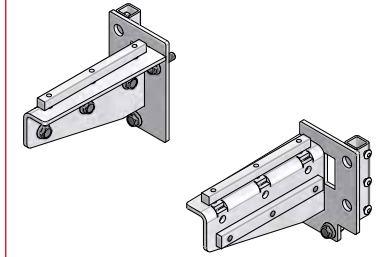
**Mounting set rear  
Duo rail**



**PART NR.**

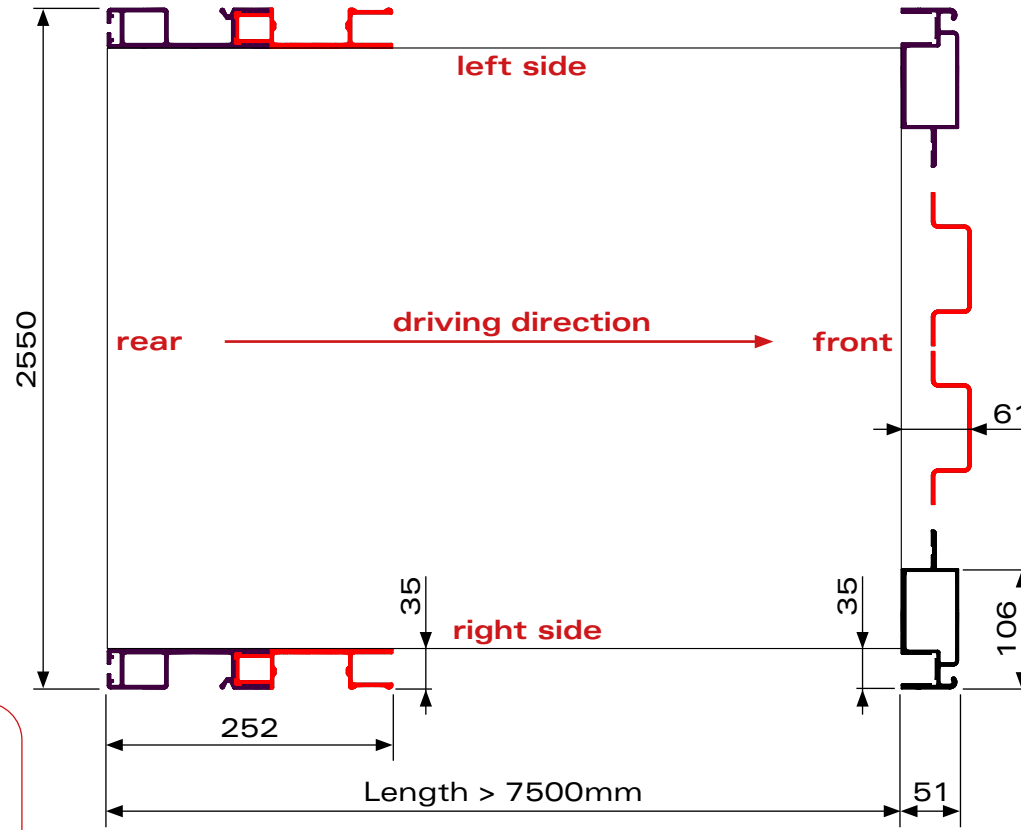
Set **154-03032**

**Mounting set front  
Duo rail**

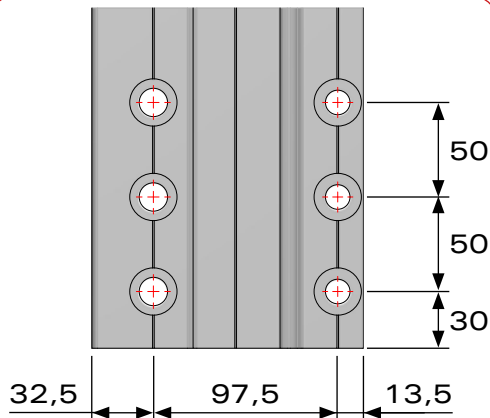


**PART NR.**

Set **154-03030**



**Rear corners L = 3m**

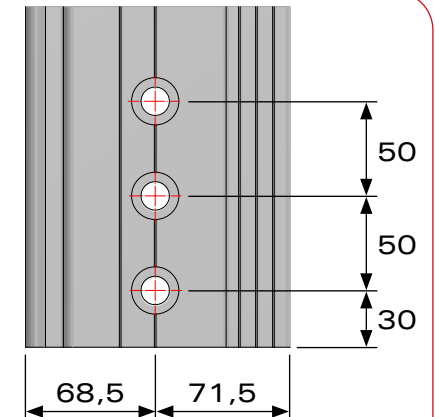


**PART NR.**

Left **402-02105**

Right **402-02106**

**Front corners L = 3m**

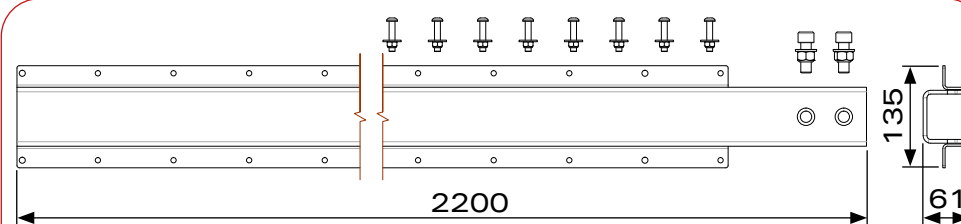


**PART NR.**

Left **452-01110**

Right **452-01111**

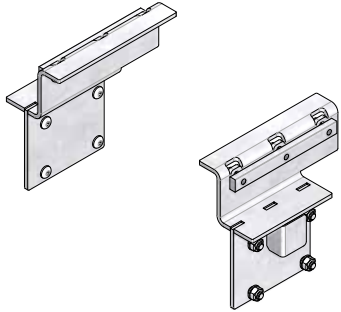
**Set bulkhead support**



**PART NR.**

**154-03036**

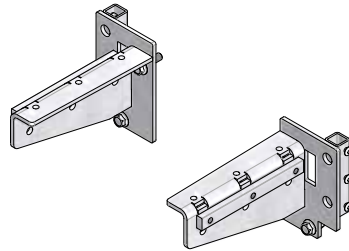
**Mounting set rear  
Micro rail**



**PART NR.**

**Set 154-03033**

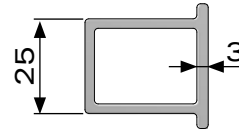
**Mounting set front  
Micro rail**



**PART NR.**

**Set 154-03031**

**Al insert for  
corner profiles**

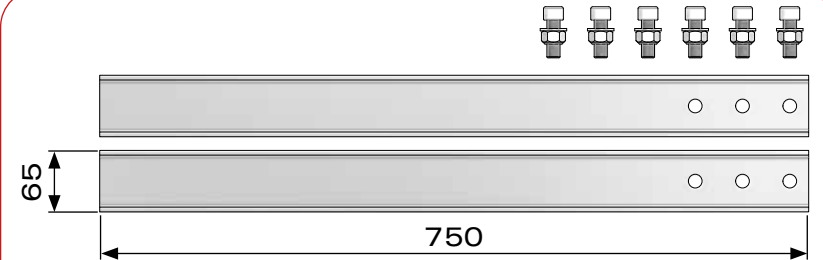


**PART NR.**

**452-01124**

\* Only needed by  
Penta sliders!

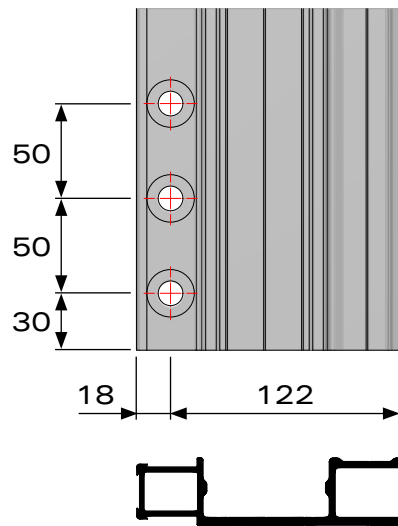
**Set reinforcements front corners**



**PART NR.**

**154-03037**

**Side profile L = 3m**

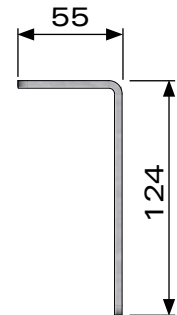


**PART NR.**

**Left 452-01114**

**Right 452-01115**

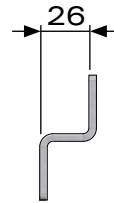
**Connecting profile  
bulkhead**



**PART NR.**

**452-30260**

**Bottom profile**



**PART NR.**

**452-04002**

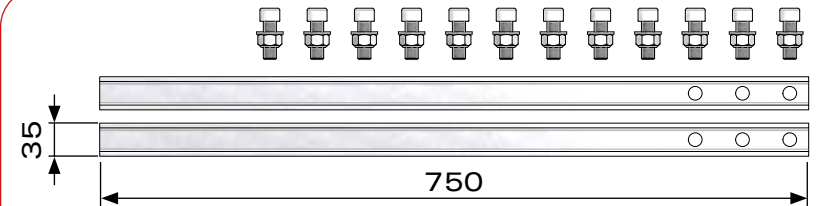
**Sealing profile  
bulkhead**



**PART NR.**

**451-04001**

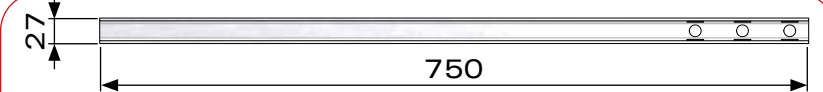
**Set reinforcements rear corners**



**PART NR.**

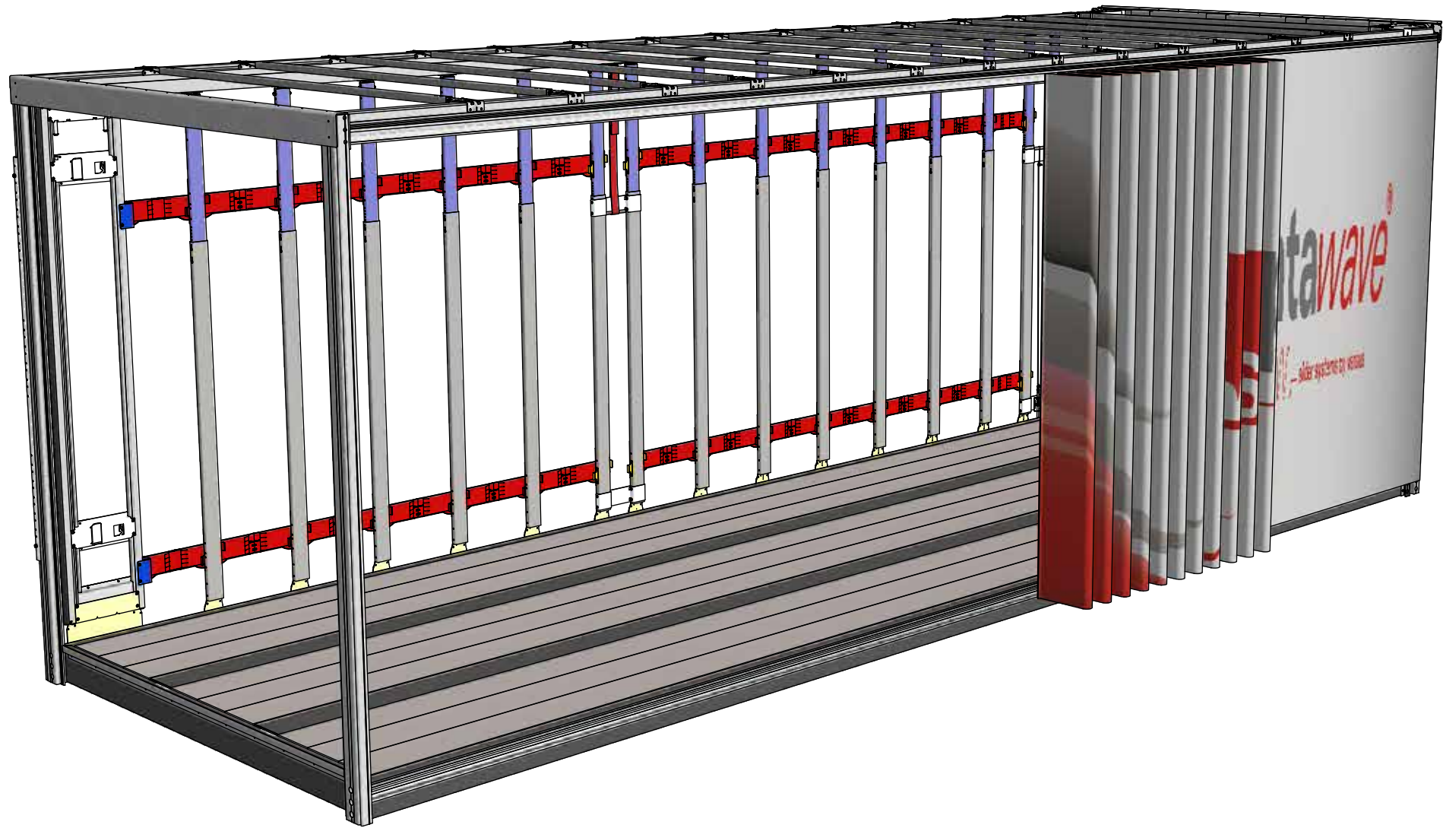
**154-03038**

**Set reinforcements side profile**



**PART NR.**

**152-02021**

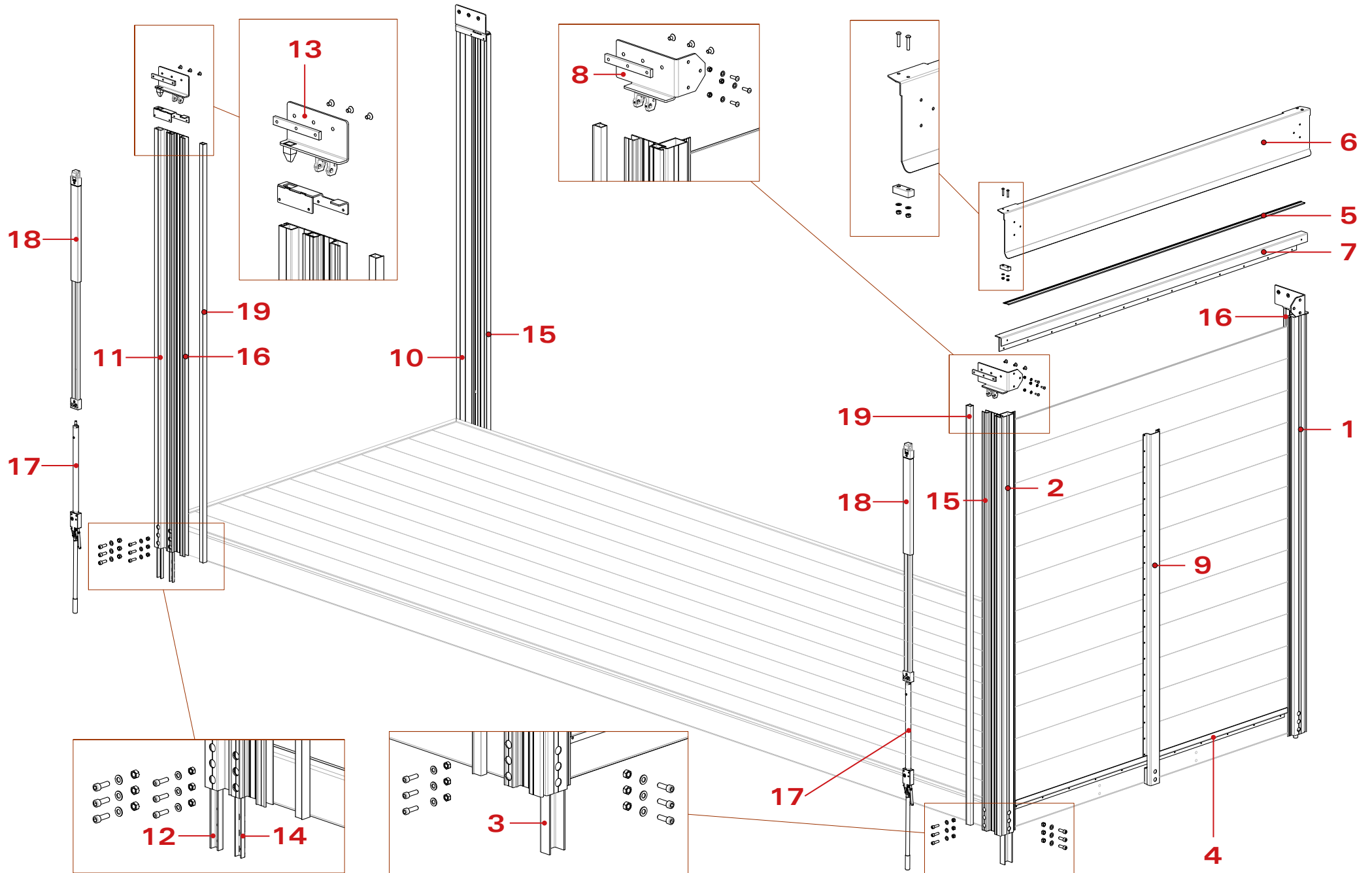




**kitaxces**

in box systems by versus

---



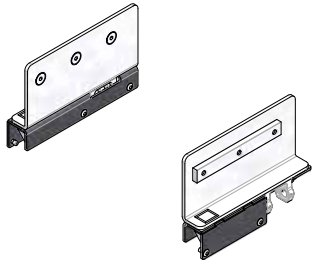




| Nr. | Part Nr.  | Qty | Description                                 |
|-----|-----------|-----|---|
| 1   | 452-01110 | 1   | Front corner left / Al / L = 3000mm         |
| 2   | 452-01111 | 1   | Front corner right / Al / L = 3000mm        |
| 3   | 154-03037 | 1   | Set reinforcements front corners with bolts |
| 4   | 452-04002 | 1   | Bottom profile for wall mounting            |
| 5   | 451-04001 | 1   | Sealing profile bulkhead                    |
| 6   | 451-10001 | 1   | Upperbeam set lifting roof Alto Trike Light |
| 7   | 452-10002 | 1   | Connecting profile lifting roof wall        |
| 8   | 154-03043 | 1   | Mounting set front Alto Trike Light         |
| 9   | 154-03036 | 1   | Bulkhead support with bolts                 |
| 10  | 402-02105 | 1   | Rear corner left / Al / L = 3000mm          |
| 11  | 402-02106 | 1   | Rear corner right / Al / L = 3000mm         |
| 12  | 154-03038 | 1   | Set reinforcements rear corners with bolts  |
| 13  | 154-03044 | 1   | Mounting set rear Alto Trike Light          |
| 14  | 152-02021 | 2   | Reinforcement side profile                  |
| 15  | 452-01114 | 2   | Side profile rear corner left               |
| 16  | 452-01115 | 2   | Side profile rear corner right              |
| 17  | 802-01007 | 4   | Pump Hydraman                               |
| 18  | 144-10095 | 4   | Set connect Hydraman                        |
| *19 | 452-01124 | 4   | Aluminium insert for corner profiles        |

\* Only needed with Penta sliders!

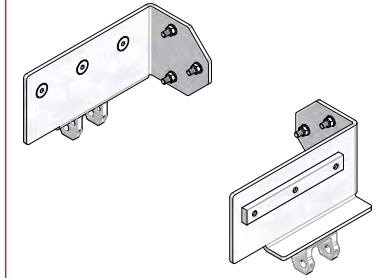
**Mounting set rear  
Alto Trike Light rail**



**PART NR.**

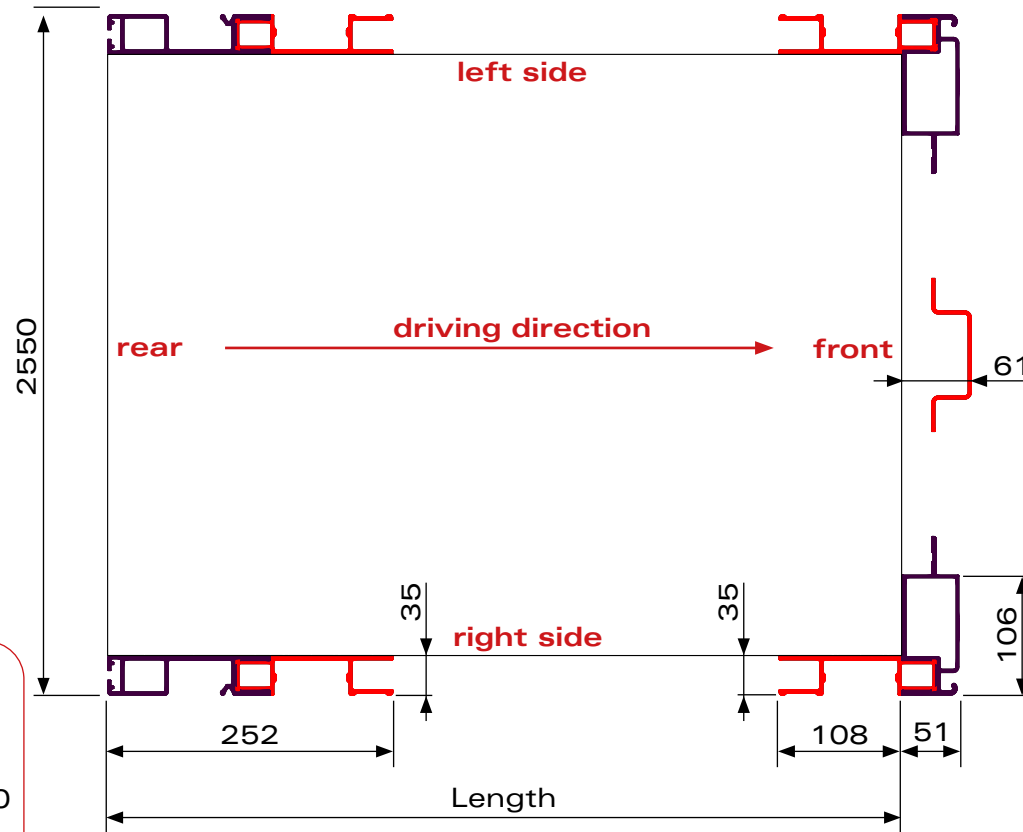
Set **154-03044**

**Mounting set front  
Alto Trike Light rail**

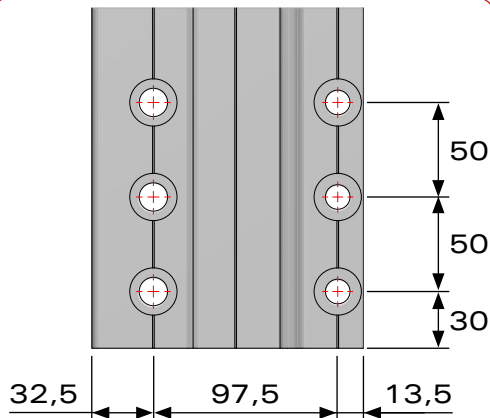


**PART NR.**

Set **154-03043**



**Rear corners L = 3m**

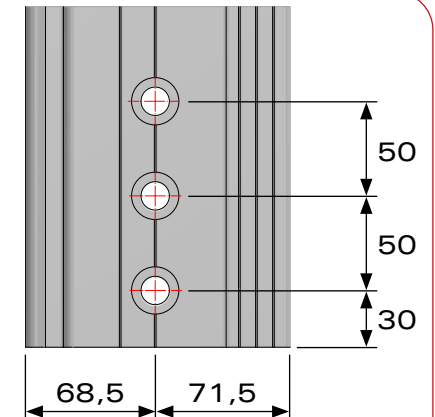


**PART NR.**

Left **402-02105**

Right **402-02106**

**Front corners L = 3m**

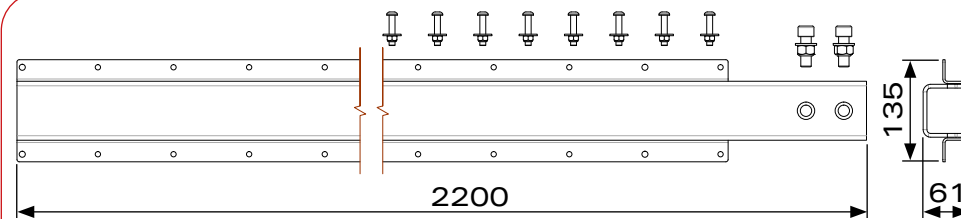


**PART NR.**

Left **452-01110**

Right **452-01111**

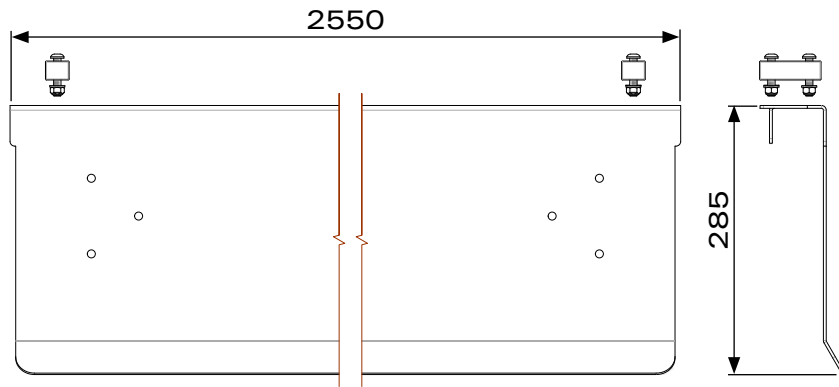
**Set bulkhead support**



**PART NR.**

**154-03036**

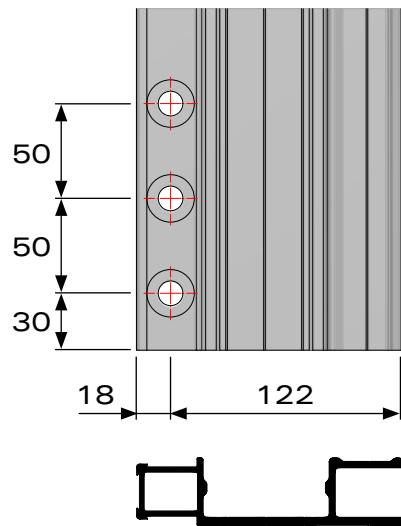
**Set upperbeam lifting roof Alto Trike Light**



**PART NR.**

**Set 451-10001**

**Side profile L = 3m**

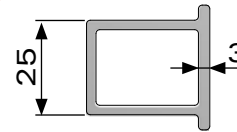


**PART NR.**

**Left 452-01114**

**Right 452-01115**

**Al insert for corner profiles**

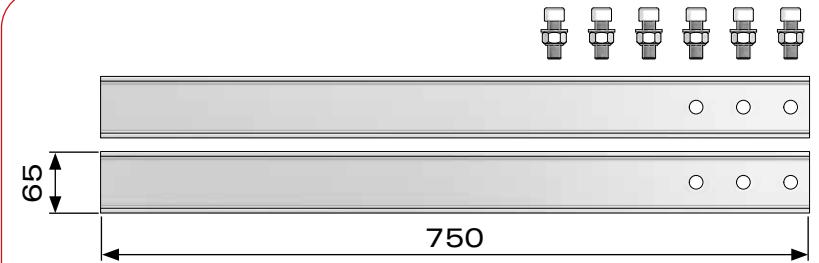


**PART NR.**

**452-01124**

\* Only needed by Penta sliders!

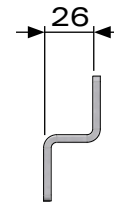
**Set reinforcements front corners**



**PART NR.**

**154-03037**

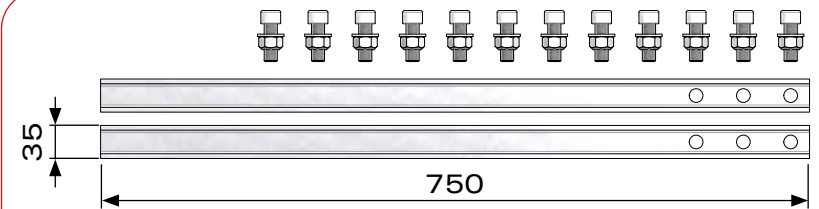
**Bottom profile**



**PART NR.**

**452-04002**

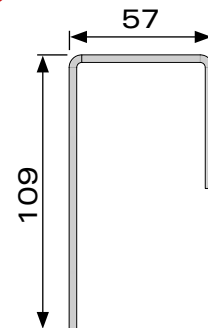
**Set reinforcements rear corners**



**PART NR.**

**154-03038**

**Connecting profile lifting roof wall**



**PART NR.**

**452-10002**

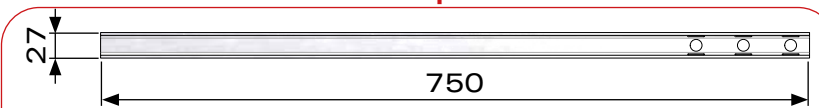
**Sealing profile bulkhead**



**PART NR.**

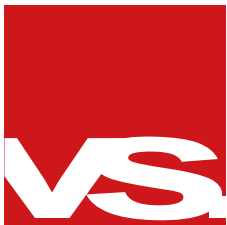
**451-04001**

**Set reinforcements side profile**



**PART NR.**

**152-02021**



**Versus-Omega**

Nijverheidslaan 1527a  
B-3660 Oudsbergen  
Belgium

t. +32 89 320 190  
e. [info@versus-omega.com](mailto:info@versus-omega.com)  
w. [www.versus-omega.com](http://www.versus-omega.com)